

# Watertight Wiring Devices

A complete collection of watertight devices  
for demanding industrial environments

wetguard<sup>®</sup>



# wetguard®

**LEVITON®**

**Leviton's Wetguard products are the most versatile and well-engineered watertight wiring devices on the market.**

The Wetguard line consists of a comprehensive array of plugs, connectors, inlets, outlets, covers and an industry exclusive FD Box system that allows mounting of single-gang devices in multi-gang configurations.

## **Watertight Electrical Connections**

Wetguard devices are designed for industrial applications where electrical connections are exposed to wet locations such as outdoor weather or indoor washdown. They have IEC and NEMA watertight and dust-tight enclosure ratings and offer many significant advantages over competitive brands. A patented multi-point sealing system forms an impenetrable barrier against dirt and moisture providing the ultimate protection that you should expect from a watertight device.

## **Corrosion-Resistant**

Wetguard devices feature corrosion-resistant electroless nickel-coated brass blades, contacts, terminal screws and wiring clamps, and stainless steel assembly screws, making them ideal for use in wet and corrosive environments.

## **Withstands Abuse in Harsh Environments**

Wetguard devices are resistant to water, acids, alkalies, and many automotive and industrial lubricants and solvents. The plug and connector husk is molded to a bondable nylon body, providing a device that withstands physical abuse as well. In addition, the patented compression nut strain relief system ensures the integrity of the electrical connection and watertight seal.







### Agriculture

Agricultural operations typically expose electrical equipment and connections to wet conditions from weather, irrigation and washdown activities. Wetguard watertight devices provide secure electrical connectivity for equipment that also keeps the operators and livestock safe.



### Construction

Equipment on construction sites is constantly exposed to rain, snow, and mud, as well as physically harsh conditions. Wetguard watertight devices provide safe and secure electrical connections that withstand the rigors of this environment.

### Food & Beverage Processing

The washdown activity typically found in food and beverage processing facilities presents a challenge for keeping equipment running and operators safe. Wetguard watertight devices provide unsurpassed protection, maximizing uptime of equipment and safety to workers.



### Water Treatment

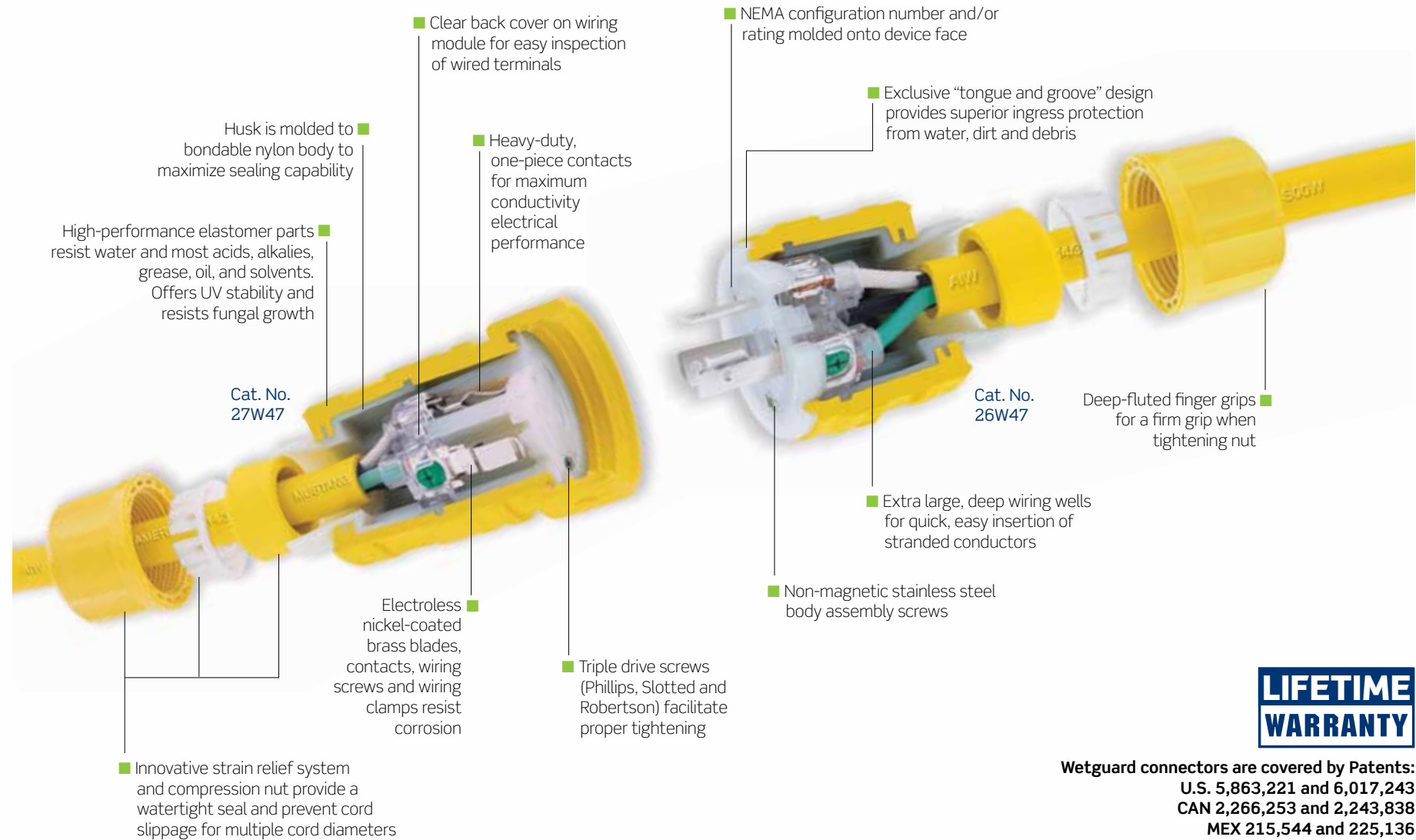
Water and sewage treatment plants, as well as other chemical processing facilities, typically subject electrical equipment and connections to both wet and corrosive environments. Wetguard watertight devices are constructed of materials that resist corrosion and damaging effects of chemical exposure.



# wetguard®

**LEVITON®**

## Plug & Connector Features:


**LIFETIME  
WARRANTY**

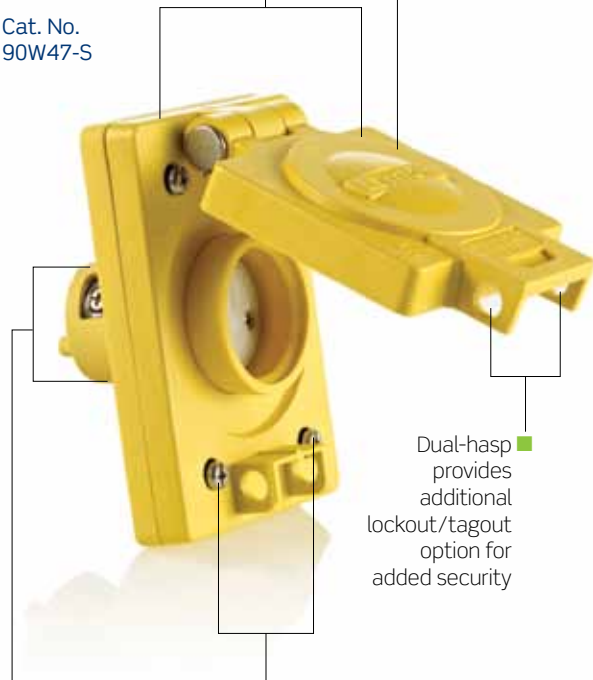
Wetguard connectors are covered by Patents:  
 U.S. 5,863,221 and 6,017,243  
 CAN 2,266,253 and 2,243,838  
 MEX 215,544 and 225,136

## Flanged Inlet/Outlet Features:

Impact and chemical resistant Valox® PBT cover and lid provide extended life in abusive environments

Spring-loaded flip lid cover ensures a watertight seal when the cover is closed

Cat. No. 90W47-S



Dual-hasps provide additional lockout/tagout option for added security

Electroless nickel-coated brass blades, contacts, wiring screws and wiring clamps resist corrosion

Stainless steel mounting and assembly screws provide corrosion resistance; triple-drive head facilitates proper tightening

**Wetguard inlets and outlets are covered by Patents:**  
**U.S. 5,863,221**  
**CAN 2,243,838**  
**MEX 225,136**

## Single-Gang Switch Cover Features:

Impact and chemical resistant Valox® PBT cover and handle provide extended life in abusive environments

Integrated lockout handle meets OSHA safety regulations

Cat. No. COVER-S



Stainless steel mounting and assembly screws provide excellent corrosion resistance; triple-drive head facilitates proper tightening

## FD Box Features:

Rigid PVC construction provides excellent resistance to impact, water and chemicals found in harsh industrial environments

Cat. No. FDBX1-GY

Stainless steel device mounting plate with attached ground wire facilitates mounting of single receptacles and toggle switches



Stainless steel assembly screws provide excellent corrosion resistance

Corrosion-resistant brass threaded inserts for mounting covers



Boxes feature 1" diameter NPT unthreaded openings, with reducers for 3/4" and 1/2" conduit and plugs for unused openings



# wetguard®

## FD Box System

We are proud to introduce our new non-metallic FD Box System. Available in one-, two- and three-gang configurations, these heavy duty boxes are constructed of PVC, making them extremely durable and resistant to impact, chemicals, solvents and other harsh industrial conditions. And, they will readily accept PVC conduit.

1. The boxes feature 1" diameter NPT unthreaded conduit openings, and include reducers for  $\frac{3}{4}$ " and  $\frac{1}{2}$ " conduit. They also include plugs for unused openings.

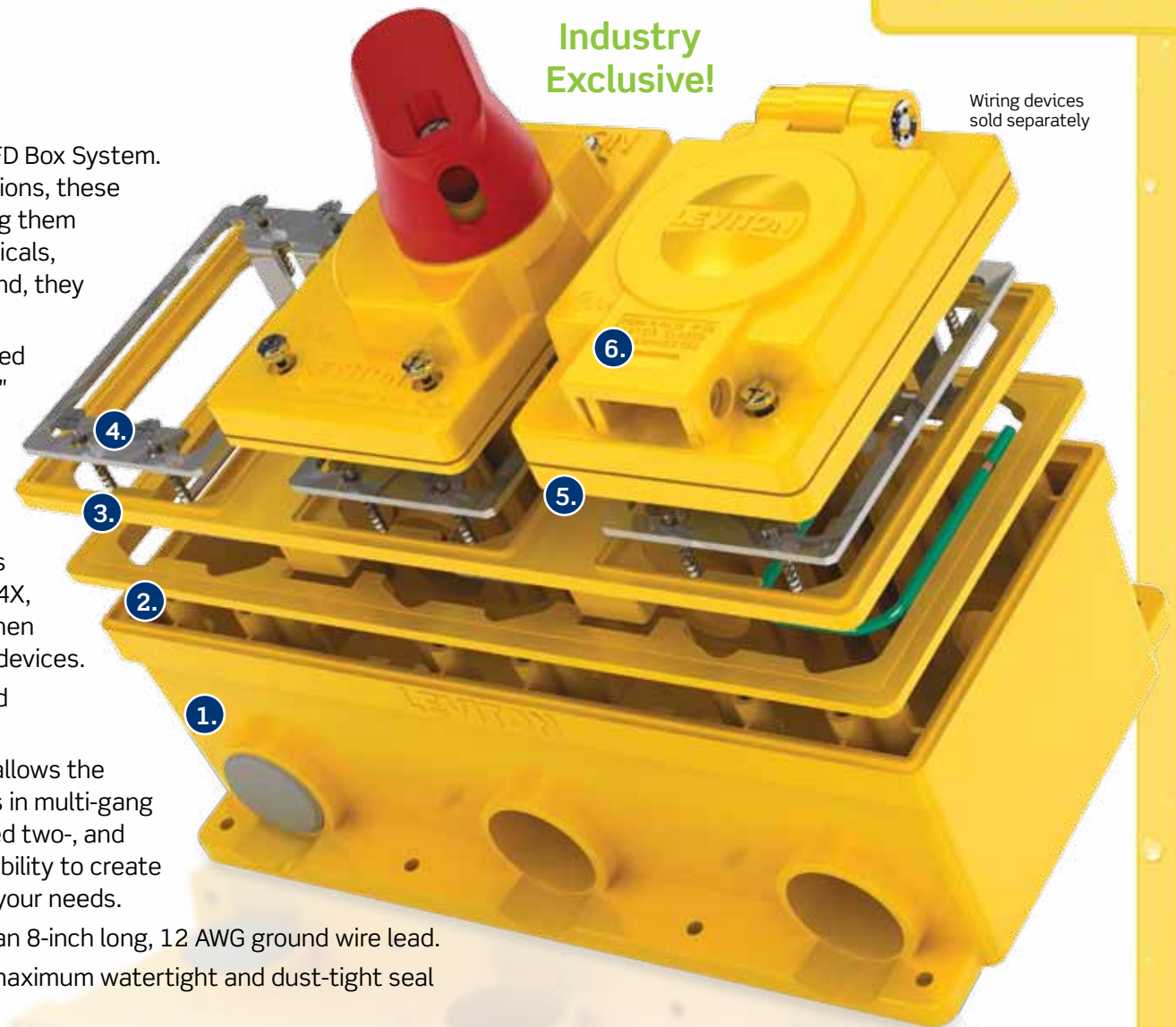
An external flange with mounting holes makes them excellent for wall mounting.

Our boxes comply with UL and CSA standards and have enclosure ratings of NEMA Type 4, 4X, 12 and IEC IP66 watertight and dust-tight when used in conjunction with Leviton's Wetguard devices.

2. TPV gasket assures maximum watertight and dust-tight seal between frame and box.
3. Our patent-pending "modular" frame design allows the combining of a variety of single-gang devices in multi-gang configurations without the need for dedicated two-, and three-gang cover plates! This gives you the ability to create custom power distribution boxes specific to your needs.
4. Stainless steel device mounting plates with an 8-inch long, 12 AWG ground wire lead.
5. TPV gasket on all Wetguard covers assures maximum watertight and dust-tight seal between device cover and frame.
6. Single-gang Wetguard devices and covers fit in any frame position and provide excellent protection from water and dust ingress. Plus, our boxes feature up to 30% more volume than competitive boxes, making it easier to install devices.

Industry  
Exclusive!

Wiring devices  
sold separately

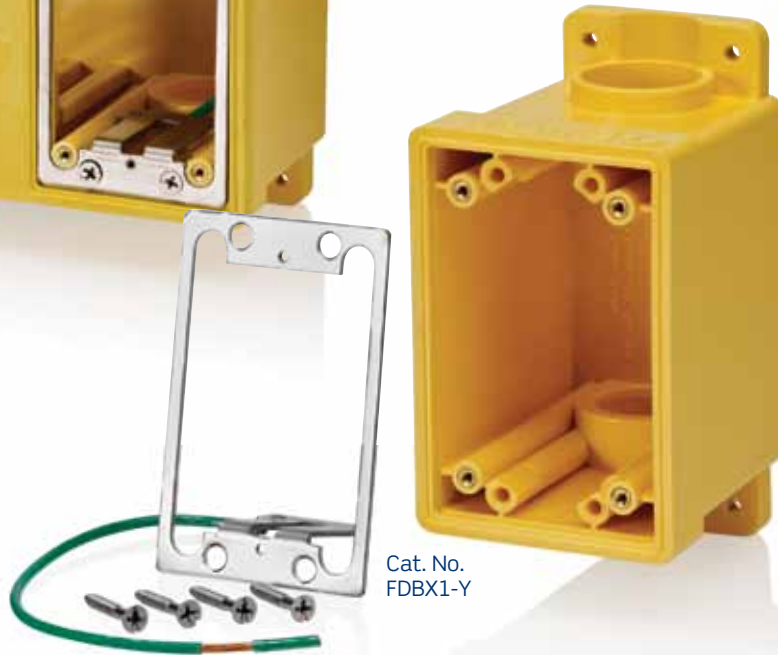


LEVITON®

Cat. No.  
FDBX3-Y



Cat. No.  
FDBX2-Y






















Cat. No.  
FDBX1-Y

All boxes are shipped with ground plate assembled to box. Single-gang box image shows ground plate removed for clarity.

| Description                                | Box Volume             | Conduit Openings | Color   |          |
|--|------------------------|------------------|---------|----------|
|  |                        |                  | Yellow  | Gray     |
| Single-Gang FD Box with plugs and reducers | 26.0 cu in/426 cu cm   | 2                | FDBX1-Y | FDBX1-GY |
| Two-Gang FD Box with plugs and reducers    | 67.3 cu in/1103 cu cm  | 4                | FDBX2-Y | FDBX2-GY |
| Three-Gang FD Box with plugs and reducers  | 109.1 cu in/1788 cu cm | 6                | FDBX3-Y | FDBX3-GY |

# 15 Amp Wetguard Straight Blade & Locking Devices

## 2-Pole, 2-Wire • 2-Pole, 3-Wire

| Amp  | Volt | NEMA Configuration | Plug  | Plug Cap  | Connector   | Connector Cap  | Single Outlet   | Duplex Outlet   | Single Inlet  | Connector for Single Inlet  | Single Receptacle   | Receptacle Cover with Gasket  |        |
|--|------|--------------------|---|---|---|--|---|---|---|---|---|---|--------|
|  |      |                    |    |  |  |  |  |  |  |  |  |  |        |
| <b>Straight Blade 2-Pole, 2-Wire Devices</b> |      |                    |   |   |   |  |   |   |   |   |   |   |        |
| 15   | 125  | 1-15               |    | 14W04   | 14W*  | 15W04  | 50W50*  | 90W04-S   | 80W04-D   | 59W04   | 79W04-C   | ---   | ---    |
| <b>Locking 2-Pole, 2-Wire Devices</b>        |      |                    |   |   |   |  |   |   |   |   |   |   |        |
| 15   | 125  | L1-15              |    | 24W04   | 14W*  | 25W04  | 50W50*  | 95W04-S   | 85W04-D   | 64W04   | 74W04-C   | ---   | ---    |
| <b>Straight Blade 2-Pole, 3-Wire Devices</b> |      |                    |   |   |   |  |   |   |   |   |   |   |        |
| 15   | 125  | 5-15               |    | 14W47*  | 14W*  | 15W47*   | 50W50*  | 90W47-S   | 80W47-D   | 59W47   | 79W47-C   | 5261-CR   | 60W03* |
| 15   | 250  | 6-15               |    | 14W49   | 14W*  | 15W49  | 50W50*  | 90W49-S   | 80W49-D   | 59W49   | 79W49-C   | 5661-CR   | 60W03* |
| 15   | 277  | 7-15               |   | 14W34   | 14W*  | 15W34  | 50W50*  | 90W34-S   | 80W34-D   | 59W34   | ---   | ---   | ---    |
| 15   | 347  | 24-15              |  | ---   | ---   | 15W16  | 50W50*  | ---   | ---   | ---   | ---   | ---   | ---    |
| <b>Locking 2-Pole, 3-Wire Devices</b>        |      |                    |   |   |   |  |   |   |   |   |   |   |        |
| 15   | 125  | L5-15              |  | 24W47*  | 14W*  | 25W47*   | 50W50*  | 95W47-S   | 85W47-D   | 64W47   | 74W47-C   | 47CM-10   | 60W03* |
| 15   | 250  | L6-15              |  | 24W49   | 14W*  | 25W49  | 50W50*  | 95W49-S   | 85W49-D   | 64W49   | 74W49-C   | 45CM-60   | 60W03* |
| 15   | 277  | L7-15              |  | 24W34   | 14W*  | 25W34  | 50W50*  | 95W34-S   | 85W34-D   | 64W34   | 74W34-C   | 47CM-60   | 60W03* |

NEMA configuration diagrams represent plug blade configuration.

\*Available in black. To order, add "-B" suffix to catalog number.



# 15 & 20 Amp Wetguard Straight Blade & Locking Devices

15A: 3-Pole, 3-Wire — 20A: 2-Pole, 2-Wire • 2-Pole, 3-Wire

**LIFETIME  
WARRANTY**

| Amp  | Volt | NEMA Configuration | Plug  | Plug Cap | Connector | Connector Cap | Single Outlet | Duplex Outlet | Single Inlet | Connector for Single Inlet | Single Receptacle | Receptacle Cover with Gasket |        |
|--|------|--------------------|---|----------|-----------|---------------|---------------|---------------|--------------|----------------------------|-------------------|------------------------------|--------|
| <b>Straight Blade 3-Pole, 3-Wire Devices</b> |      |                    |   |          |           |               |               |               |              |                            |                   |                              |        |
| 15   | 125  | Non-NEMA           |    | 14W07    | 14W*      | 15W07         | 50W50*        | 90W07-S       | 80W07-D      | 59W07                      | 79W07-C           | ---                          | ---    |
| 10   | 250  |                    |   | 24W07    | 14W*      | 25W07         | 50W50*        | 95W07-S       | 85W07-D      | 64W07                      | 74W07-C           | ---                          | ---    |
| <b>Locking 3-Pole, 3-Wire Devices</b>        |      |                    |   |          |           |               |               |               |              |                            |                   |                              |        |
| 15   | 125  | Non-NEMA           |    | 24W07    | 14W*      | 25W07         | 50W50*        | 95W07-S       | 85W07-D      | 64W07                      | 74W07-C           | ---                          | ---    |
| 10   | 250  |                    |   | 26W07    | 26W*      | 27W07         | 50W50*        | 97W07-S       | 87W07-D      | 66W07                      | 76W07-C           | ---                          | ---    |
| <b>Locking 2-Pole, 2-Wire Devices</b>        |      |                    |   |          |           |               |               |               |              |                            |                   |                              |        |
| 20   | 250  | L2-20              |   | 26W07    | 26W*      | 27W07         | 50W50*        | 97W07-S       | 87W07-D      | 66W07                      | 76W07-C           | ---                          | ---    |
| <b>Straight Blade 2-Pole, 3-Wire Devices</b> |      |                    |   |          |           |               |               |               |              |                            |                   |                              |        |
| 20   | 125  | 5-20               |  | 14W33    | 14W*      | 15W33         | 50W50*        | 90W33-S       | ---          | 59W33                      | 79W33-C           | 5361-CR                      | 60W03* |
| 20   | 250  | 6-20               |  | 14W48    | 14W*      | 15W48         | 50W50*        | 90W48-S       | ---          | 59W48                      | 79W48-C           | 5461-CR                      | 60W03* |
| 20   | 347  | 24-20              |  | 15W18    | ---       | ---           | 50W50*        | ---           | ---          | ---                        | ---               | ---                          | ---    |

NEMA configuration diagrams represent plug blade configuration.

\*Available in black. To order, add “-B” suffix to catalog number.

## 20 Amp Wetguard Locking Devices

2-Pole, 3-Wire • 3-Pole, 3-Wire • 3-Pole, 4-Wire

| Amp                                   | Volt    | NEMA Configuration | Plug  | Plug Cap  | Connector   | Connector Cap  | Single Outlet   | Duplex Outlet   | Single Inlet  | Connector for Single Inlet  | Single Receptacle   | Receptacle Cover with Gasket  |        |
|---------------------------------------|---------|--------------------|---|---|---|--|---|---|---|---|---|---|--------|
|                                       |         |                    |    |  |  |  |  |  |  |  |  |  |        |
| <b>Locking 2-Pole, 3-Wire Devices</b> |         |                    |   |   |   |  |   |   |   |   |   |   |        |
| 20                                    | 125     | L5-20              |    | 26W47*  | 26W*  | 27W47*   | 50W52*  | 97W47-S   | ---   | 66W47   | 76W47-C   | 23CM-10   | 60W04* |
| 20                                    | 250     | L6-20              |    | 26W48*  | 26W*  | 27W48*   | 50W52*  | 97W48-S   | ---   | 66W48   | 76W48-C   | 23CM-20   | 60W04* |
| 20                                    | 277     | L7-20              |    | 26W49   | 26W*  | 27W49  | 50W52*  | 97W49-S   | ---   | 66W49   | 76W49-C   | 23CM-30   | 60W04* |
| 20                                    | 347     | L24-20             |    | 22W07   | 26W*  | 23W07  | 50W52*  | 93W07-S   | ---   | 68W29   | 78W29-C   | ---   | ---    |
| <b>Locking 3-Pole, 3-Wire Devices</b> |         |                    |   |   |   |  |   |   |   |   |   |   |        |
| 20                                    | 125/250 | Non-NEMA           |   | 26W08   | 26W*  | 27W08  | 50W52*  | 97W08-S   | ---   | 66W08   | 76W08-C   | 7310-B  | 60W04* |
| 20                                    | 250     | Non-NEMA           |  | 26W08-G   | 26W*  | 27W08-G  | 50W52*  | ---   | ---   | ---   | ---   | ---   | ---    |
| 10                                    | 600     |                    |   |   |   |  |   |   |   |   |   |   |        |
| <b>Locking 3-Pole, 4-Wire Devices</b> |         |                    |   |   |   |  |   |   |   |   |   |   |        |
| 20                                    | 125/250 | L14-20             |  | 26W74   | 26W*  | 27W74  | 50W52*  | 97W74-S   | ---   | 66W74   | 76W74-C   | 24CM-10   | 60W04* |
| 20                                    | 3Ø 250  | L15-20             |  | 26W75*  | 26W*  | 27W75*   | 50W52*  | 97W75-S   | ---   | 66W75   | 76W75-C   | 24CM-20   | 60W04* |
| 20                                    | 3Ø 480  | L16-20             |  | 26W76*  | 26W*  | 27W76*   | 50W52*  | 97W76-S   | ---   | 66W76   | 76W76-C   | 24CM-30   | 60W04* |










NEMA configuration diagrams represent plug blade configuration.

\*Available in black. To order, add "-B" suffix to catalog number.

## 20 & 30 Amp Wetguard Locking Devices

20A: 4-Pole, 4-Wire • 4-Pole, 5-Wire — 30A: 2-Pole, 3-Wire • 3-Pole, 3-Wire

**LIFETIME  
WARRANTY**

| Amp                                   | Volt           | NEMA Configuration |   | Plug   | Plug Cap | Connector | Connector Cap | Single Outlet | Duplex Outlet | Single Inlet | Connector for Single Inlet | Single Receptacle | Receptacle Cover with Gasket |
|---------------------------------------|----------------|--------------------|---|--------|----------|-----------|---------------|---------------|---------------|--------------|----------------------------|-------------------|------------------------------|
| <b>Locking 4-Pole, 4-Wire Devices</b> |                |                    |   |        |          |           |               |               |               |              |                            |                   |                              |
| 20                                    | 3ØY<br>120/208 | Non-NEMA           |    | 26W09  | 26W*     | 27W09     | 50W52*        | 97W09-S       | ---           | 66W09        | 76W09-C                    | 7410-B            | 60W04*                       |
| <b>Locking 4-Pole, 5-Wire Devices</b> |                |                    |   |        |          |           |               |               |               |              |                            |                   |                              |
| 20                                    | 3ØY<br>120/208 | L21-20             |    | 26W81* | 26W*     | 27W81*    | 50W52*        | 97W81-S       | ---           | 66W81        | 76W81-C                    | 2510              | 60W04*                       |
| 20                                    | 3ØY<br>277/480 | L22-20             |    | 26W82  | 26W*     | 27W82     | 50W52*        | 97W82-S       | ---           | 66W82        | 76W82-C                    | 2520              | 60W04*                       |
| 20                                    | 3ØY<br>347/600 | L23-20             |   | 26W83  | 26W*     | 27W83     | 50W52*        | 97W83-S       | ---           | 66W83        | 76W83-C                    | 2530              | 60W04*                       |
| 20                                    | 250            | Non-NEMA           |  | 26W10  | 26W*     | 27W10     | 50W52*        | 97W10-S       | ---           | 66W10        | 76W10-C                    | ---               | 60W04*                       |
| 10                                    | 600            |                    |   |        |          |           |               |               |               |              |                            |                   |                              |
| <b>Locking 2-Pole, 3-Wire Devices</b> |                |                    |   |        |          |           |               |               |               |              |                            |                   |                              |
| 30                                    | 125            | L5-30              |  | 28W47* | 28W*     | 29W47*    | 50W54*        | 99W47-S       | ---           | 68W47        | 78W47-C                    | 26CM-10           | 60W05*                       |
| 30                                    | 250            | L6-30              |  | 28W48  | 28W*     | 29W48     | 50W54*        | 99W48-S       | ---           | 68W48        | 78W48-C                    | 26CM-20           | 60W05*                       |
| 30                                    | 277            | L7-30              |  | 28W49  | 28W*     | 29W49     | 50W54*        | 99W49-S       | ---           | 68W49        | 78W49-C                    | 2630              | 60W05*                       |
| <b>Locking 3-Pole, 3-Wire Devices</b> |                |                    |   |        |          |           |               |               |               |              |                            |                   |                              |
| 30                                    | 125/250        | Non-NEMA           |  | 28W08  | 28W*     | 29W08     | 50W54*        | 99W08-S       | ---           | 68W08        | 78W08-C                    | 3330              | 60W05*                       |

NEMA configuration diagrams represent plug blade configuration.

\*Available in black. To order, add "-B" suffix to catalog number.



## 30 Amp Wetguard Locking Devices

3-Pole, 4-Wire • 4-Pole, 4-Wire • 4-Pole, 5-Wire

| Amp                                   | Volt        | NEMA Configuration | Plug  | Plug Cap  | Connector mates with Plug   | Connector Cap   | Single Outlet   | Duplex Outlet   | Single Inlet  | Connector mates with Inlet  | Single Receptacle   | Receptacle Cover with Gasket  |        |
|---------------------------------------|-------------|--------------------|---|---|---|---|---|---|---|---|---|---|--------|
|                                       |             |                    |    |  |  |  |  |  |  |  |  |  |        |
| <b>Locking 3-Pole, 4-Wire Devices</b> |             |                    |   |   |   |   |   |   |   |   |   |   |        |
| 30                                    | 125/250     | L14-30             |    | 28W74   | 28W*  | 29W74   | 50W54*  | 99W74-S   | —   | 68W74   | 78W74-C   | 27CM-10   | 60W05* |
| 30                                    | 3Ø 250      | L15-30             |    | 28W75   | 28W*  | 29W75   | 50W54*  | 99W75-S   | —   | 68W75   | 78W75-C   | 27CM-20   | 60W05* |
| 30                                    | 3Ø 480      | L16-30             |    | 28W76*  | 28W*  | 29W76*  | 50W54*  | 99W76-S   | —   | 68W76   | 78W76-C   | 2730  | 60W05* |
| 30                                    | 3ØY 600     | L17-30             |    | 28W77   | 28W*  | 29W77   | 50W54*  | 99W77-S   | —   | 68W77   | 78W77-C   | 2740  | 60W05* |
| <b>Locking 4-Pole, 4-Wire Devices</b> |             |                    |   |   |   |   |   |   |   |   |   |   |        |
| 30                                    | 3ØY 120/208 | Non-NEMA           |   | 28W09   | 28W*  | 29W09   | 50W54*  | 99W09-S   | —   | 68W09   | 78W09-C   | 3430  | 60W05* |
| <b>Locking 4-Pole, 5-Wire Devices</b> |             |                    |   |   |   |   |   |   |   |   |   |   |        |
| 30                                    | 3ØY 120/208 | L21-30             |  | 28W81   | 28W*  | 29W81   | 50W54*  | 99W81-S   | —   | 68W81   | 78W81-C   | 2810  | 60W05* |
| 30                                    | 3ØY 277/480 | L22-30             |  | 28W82   | 28W*  | 29W82   | 50W54*  | 99W82-S   | —   | 68W82   | 78W82-C   | 2820  | 60W05* |
| 30                                    | 3ØY 347/600 | L23-30             |  | 28W83   | 28W*  | 29W83   | 50W54*  | 99W83-S   | —   | 68W83   | 78W83-C   | 2830  | 60W05* |

\*Available in black. To order, add “-B” suffix to catalog number.

## Wetguard Individual Covers

| Cat #    | Color  | Description   |
|----------|--------|---|
| COVER-S  | Yellow | Single Gang Switch Cover and Gasket for all Single Throw 15 Amp - 40 Amp Toggle Switches, Including Leviton Manual Motor Starters |
| WTCVD    | Yellow | Wetguard Replacement Cover and Gasket for Duplex Outlets  |
| WTCVS-15 | Yellow | Wetguard Replacement Cover and Gasket for 15 Amp and 20 Amp Straight and 15 Amp Locking Single Inlets and Outlets                 |
| WTCVS-20 | Yellow | Wetguard Replacement Cover and Gasket for all 20 Amp Locking Single Inlets and Outlets  |
| WTCVS-30 | Yellow | Wetguard Replacement Cover and Gasket for all 30 Amp Locking Single Inlets and Outlets  |
| WP459    | Yellow | Wetguard Blank Plate and Gasket   |
| 60W03*   | Yellow | Wetguard Replacement Cover and Gasket for 15 Amp and 20 Amp Straight Blade and 15 Amp Locking Box Mount Single Flush Receptacles  |
| 60W04*   | Yellow | Wetguard Replacement Cover and Gasket for 20 Amp Locking Box Mount Single Flush Receptacles                                       |
| 60W05*   | Yellow | Wetguard Replacement Cover and Gasket for 30 Amp Locking Box Mount Single Flush Receptacles                                       |



Cat. No. COVER-S



Cat. No. WTCVS-15



Cat. No. WP459



Cat. No. WTCVD

\*Available in black. To order, add "-B" suffix to catalog number.

## Industrial Grade Portable Outlet Boxes and Cover Plates

### Ideal for Temporary Power Applications

For applications ranging from industrial processing plants, to construction and maintenance, to entertainment and theater, Leviton's industrial grade portable outlet boxes will help to deliver the power you need, where you need it. Boxes are constructed of a high-performance UL Listed TPV. They maintain their integrity in most any temperature, are extremely resistant to harsh chemicals and exhibit excellent strength and resistance to fatigue.

Coverplates are constructed of Lexan®, providing great impact resistance and superior service life. And, self-closing flip-lid versions provide NEMA Type 3R enclosure protection with flip-lid closed.

Boxes are available in single and two-gang sizes, both feed-thru and pendant style. Coverplates are available in a wide range of configurations to fit just about any requirement. Plus, you can choose either high-visibility yellow (for most industrial and commercial applications) or black (for entertainment applications).

### Features:



\*See ordering information for details

**LEVITON**



| Ordering Descriptions for Portable Outlet Boxes and Coverplates |   | Color: Yellow         | Color: Black          |
|---|---|-----------------------|-----------------------|
| Single-Gang Outlet Box  | 0.230" – 0.546" dia. Standard Depth, Pendant Style  | 3059-1Y <sup>2</sup>  | 3059-1E <sup>2</sup>  |
| Single-Gang Outlet Box  | 0.230" – 0.546" dia. Standard Depth, Feed-Thru Style  | 3059F-1Y <sup>2</sup> | 3059F-1E <sup>2</sup> |
| Single-Gang Outlet Box  | 0.230" – 0.546" dia. Extra Deep, Pendant Style  | 3099-1Y               | 3099-1E               |
| Single-Gang Outlet Box  | 0.230" – 0.546" dia. Extra Deep, Feed-Thru Style  | 3099F-1Y              | 3099F-1E              |
| Single-Gang Outlet Box  | 0.590" – 1.000" <sup>3</sup> dia. Extra Deep, Pendant Style   | 3099-2Y               | 3099-2E               |
| Single-Gang Outlet Box  | 0.590" – 1.000" <sup>3</sup> dia. Extra Deep, Feed-Thru Style   | 3099F-2Y              | 3099F-2E              |
| Single-Gang Coverplate  | Blank Coverplate  | 3054-Y                | 3054-E                |
| Single-Gang Coverplate  | Duplex Receptacle Coverplate  | 3051-Y                | 3051-E                |
| Single-Gang Coverplate  | Duplex Receptacle Coverplate with Weather-Resistant Flip Lid*   | 3056-Y                | 3056-E                |
| Single-Gang Coverplate  | GFCI /decora® Receptacle Coverplate   | 3060-Y                | 3060-E                |
| Single-Gang Coverplate  | GFCI /decora® Receptacle Coverplate with Weather-Resistant Flip Lid <sup>1</sup>  | 3061-Y                | 3061-E                |
| Single-Gang Coverplate  | 1.39" dia. Single Receptacle Coverplate (15A Straight Blade & Locking/20A Straight Blade Receptacles)                               | 3052-Y                | 3052-E                |
| Single-Gang Coverplate  | 1.39" dia. Single Receptacle Coverplate with Weather-Resistant Flip Lid*  | 3057-Y                | 3057-E                |
| Single-Gang Coverplate  | 1.56" dia. Single Receptacle Coverplate (20A & 30A Locking Receptacles)   | 3055-Y                | 3055-E                |
| Single-Gang Coverplate  | 1.56" dia. Single Receptacle Coverplate with Weather-Resistant Flip Lid*  | 3058-Y                | 3058-E                |
| Two-Gang Outlet Box   | 0.590" – 1.000" <sup>3</sup> dia. Standard Depth, Pendant Style   | 3200-2Y               | 3200-2E               |
| Two-Gang Outlet Box   | 0.590" – 1.000" <sup>3</sup> dia. Standard Depth, Feed-Thru Style   | 3200F-2Y              | 3200F-2E              |
| Two-Gang Outlet Box   | 0.590" – 1.000" <sup>3</sup> dia. Angled Depth, Pendant Style   | 3300-2Y               | 3300-2E               |
| Two-Gang Coverplate   | Blank Coverplate  | 3265-Y                | 3265-E                |
| Two-Gang Coverplate   | 2 - Duplex Receptacle Coverplate  | 3260-Y                | 3260-E                |
| Two-Gang Coverplate   | 2 - Duplex Receptacle Coverplate with Weather-Resistant Flip Lid*   | 3260W-Y               | 3260W-E               |
| Two-Gang Coverplate   | 2 - GFCI /decora® Receptacle Coverplate   | 3251-Y                | 3251-E                |
| Two-Gang Coverplate   | 2 - GFCI /decora® Receptacle Coverplate with Weather-Resistant Flip Lid <sup>1</sup>  | 3251W-Y               | 3251W-E               |
| Two-Gang Coverplate   | 1 – GFCI /decora® Receptacle, 1-Blank Coverplate  | 3241-Y                | 3241-E                |
| Two-Gang Coverplate   | 1 – GFCI /decora® Receptacle with Weather-Resistant Flip Lid, 1 - Blank Coverplate <sup>1</sup>                                     | 3241W-Y               | 3241W-E               |
| Two-Gang Coverplate   | 1 - 1.56" dia. Single Receptacle, 1 - Duplex Receptacle Coverplate  | 3262-Y                | 3262-E                |
| Two-Gang Coverplate   | 1 - 1.56" dia. Single Receptacle with Weather-Resistant Flip Lid, 1 – Duplex Receptacle Coverplate with Weather-Resistant Flip Lid* | 3262W-Y               | 3262W-E               |
| Two-Gang Coverplate   | 1 - 1.56" dia. Single Receptacle, 1 - Blank Coverplate  | 3261-Y                | 3261-E                |
| Two-Gang Coverplate   | 1 - 1.56" dia. Single Receptacle with Weather-Resistant Flip Lid, 1 - Blank Coverplate *  | 3261W-Y               | 3261W-E               |
| Two-Gang Coverplate   | 2 – 1.56" dia. Single Receptacle Coverplate   | 3263-Y                | 3263-E                |
| Two-Gang Coverplate   | 2 – 1.56" dia. Single Receptacle Coverplate with Weather-Resistant Flip Lid*  | 3263W-Y               | 3263W-E               |

\* NEMA Type 3R Rated    <sup>1</sup>Tamper Resistant GFCI devices not compatible    <sup>2</sup>GFCI devices not compatible (must use extra deep version)    <sup>3</sup>For cable diameters smaller than .590", consult factory for options.

# dustguard®

**2-YEAR LIMITED  
WARRANTY**






**LEVITON®**

Dustguard® plugs and connectors feature resistance to the damaging effects of dirt, dust, metal filings and other airborne particulate matter that can seriously degrade electrical performance. They share many of the superior design features of Wetguard plugs and connectors, offering a reliable source of electrical power where extended mechanical and electrical life are specified but moisture-resistance is not required.

#### Features and Benefits include:

- Tongue and groove design of front module and TPV body assures tight fit and offers excellent barrier against dirt and dust
- Rubber membrane seal for secure cord grip; creates a barrier and keeps contaminants from entering the device interior
- Santoprene TPV husk exterior offers excellent resistance to cracking and fading from sunlight exposure, repels moisture and fluids and endures extreme temperature variations
- Fast-threading assembly screws, keyed wiring module and husk, self-centering strain relief clamps and deep-funneled wiring wells provide for simple and fast assembly

## 15 & 20 Amp Straight Blade & Locking Devices • 2-Pole, 3-Wire

| Amp  | Volt | NEMA Configuration | Plug  | Connector |
|--|------|--------------------|---|-----------|
| <b>Straight Blade 2-Pole, 3-Wire Devices</b> |      |                    |   |           |
| 15   | 125  | 5-15               |   | 1447      |
| 15   | 250  | 6-15               |  | 1449      |
| <b>Straight Blade 2-Pole, 3-Wire Devices</b> |      |                    |   |           |
| 20   | 125  | 5-20               |  | 1433      |
| 20   | 250  | 6-20               |  | 1448      |
| <b>Locking 2-Pole, 3-Wire Devices</b>        |      |                    |   |           |
| 15   | 125  | L5-15              |  | 2447      |

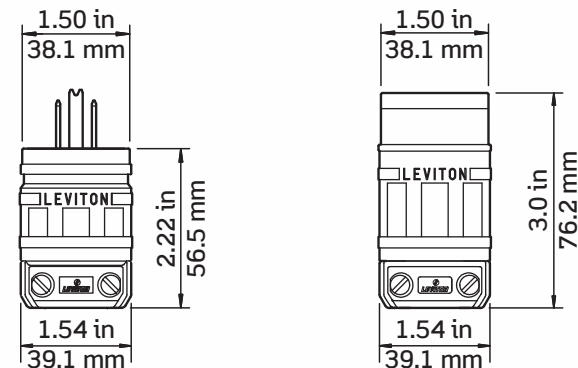
NEMA configuration diagrams represent plug blade configuration



# Dustguard Plugs and Connectors Technical Specifications

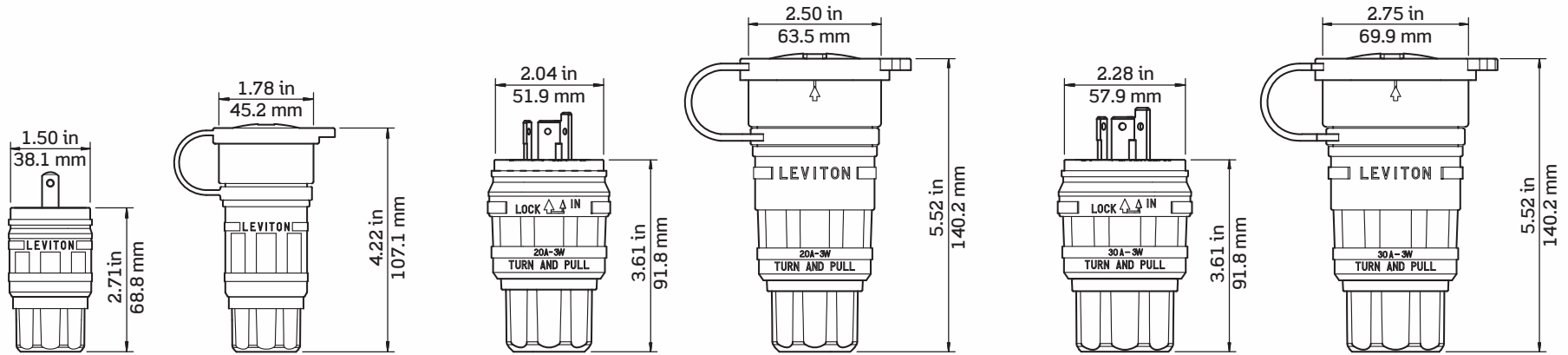
| Electrical Specifications    |   |
|------------------------------|---|
| Dielectric Voltage           | Withstands 2000V per UL 498                                 |
| Current Limiting             | Full rated current  |
| Temperature Rise             | Max 30°C after 250 cycles overload at 200% of rated current |
| Environmental Specifications |   |
| Flammability                 | Rated V-2 per UL 94 (wiring module)                         |
| Operating Temperature        | -40°C to 60°C   |
| Material Specifications      |   |
| Husk Exterior                | Santoprene TPV  |
| Wiring Module (back)         | Clear Thermoplastic   |
| Cord Clamp                   | Nylon   |
| Dust Barrier                 | Santoprene TPV  |
| Blades/Contacts              | Solid Brass   |
| Terminal Screws              | Brass   |
| Terminal Clamps              | Galvanized Steel  |
| Assembly Screws              | Galvanized Steel  |

| Mechanical Specifications     |  |
|-------------------------------|--|
| Wiring Terminal Accommodation | #18 AWG to #10 AWG                               |
| Terminal ID                   | Brass-Hot, Green-Ground, Silver-Neutral          |
| Cord Grip Range               | .240" to .655" diameter                          |
| Product ID                    | Ratings and NEMA ID permanently marked on device |
| Standards & Certifications    |  |
| NEMA                          | WD-6   |
| ANSI                          | C-73   |
| UL                            | 498  |
| CSA                           | C22.2 No. 42                                     |
| NOM                           | 057  |





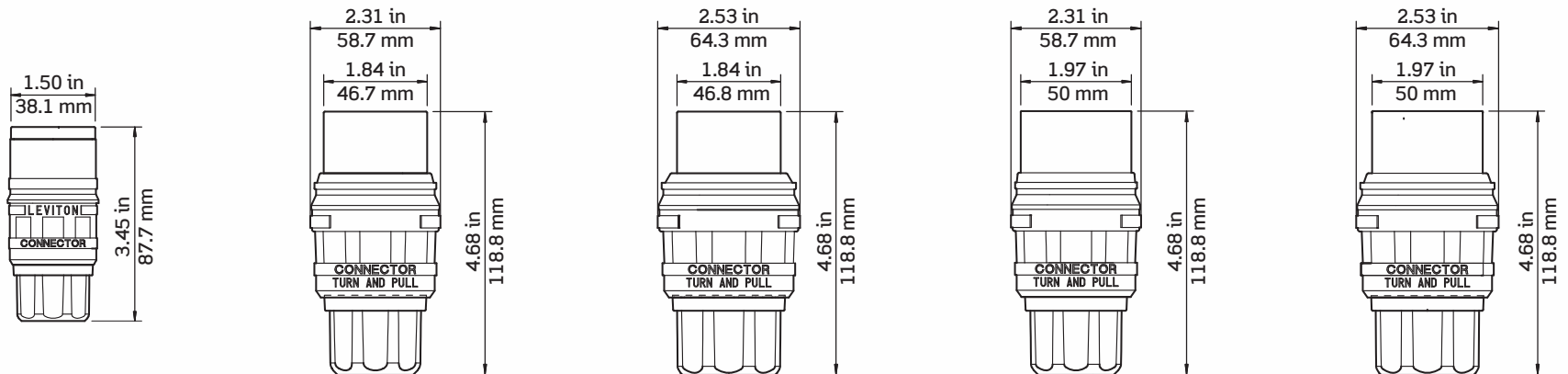
# Wetguard Plugs and Connectors Technical Specifications



**All 15A and 20A Straight Blade,  
All 15A and NEMA L2-20 Locking  
Plugs and Mating Connectors**

**20A Locking Plugs  
and Connectors  
(Except L2-20)**

**30A Locking  
Plugs and Connectors**



**All 15A and 20A  
Straight Blade,  
All 15A and NEMA L2-20  
Locking Connectors  
for Inlets**

**All 20A Locking  
3-Wire Connectors  
for Inlets**

**All 30A Locking  
3-Wire Connectors  
for Inlets**

**All 20A Locking 4-Wire  
and 5-Wire Connectors  
for Inlets**

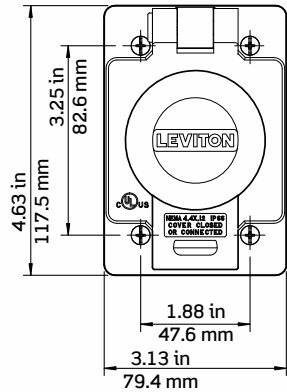
**All 30A Locking 4-Wire  
and 5-Wire Connectors  
for Inlets**

| Electrical Specifications        |   |                   |
|----------------------------------|---|-------------------|
| Dielectric Voltage               | Withstands 2000V per UL 498                                 |                   |
| Current Limiting                 | Full rated current  |                   |
| Temperature Rise                 | Max 30°C after 250 cycles overload at 200% of rated current |                   |
| Environmental Specifications     |   |                   |
| Flammability                     | Rated V-2 per UL 94 (wiring module)                         |                   |
| Operating Temperature            | -40°C to 60°C   |                   |
| Enclosure Ratings                | Plugs/Connectors  | NEMA 4, 4X, 6, 6P |
|                                  |   | IEC IP66, IP67    |
|                                  | Connector for Single Inlets                                 | NEMA 4, 4X, 12    |
|                                  |   | IEC IP66          |
| Material Specifications          |   |                   |
| Husk                             | Santoprene TPV  |                   |
| Body                             | Nylon   |                   |
| Wiring Module                    | Nylon   |                   |
| Strain Relief System             | Compression Nut   | Nylon             |
|                                  | Strain Relief Clamp   | Nylon             |
|                                  | Bushing   | Santoprene TPV    |
| Blades/Contacts, Terminal Clamps | Electroless Nickel-coated Brass                             |                   |
| Terminal Screws                  | Electroless Nickel-coated Brass                             |                   |
| Assembly Screws                  | Stainless steel, non-magnetic                               |                   |

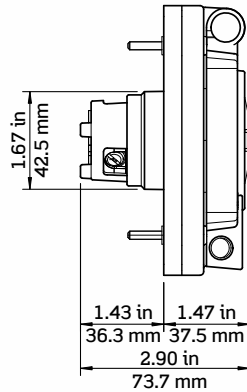
| Mechanical Specifications  |  |                       |
|----------------------------|--|-----------------------|
| Terminal Accommodation     | 15 Amp   | #18 AWG to #10 AWG    |
|                            | 20 Amp   | #16 AWG to #10 AWG    |
|                            | 30 Amp   | #12 to #8             |
| Terminal ID                | Brass-Hot, Green-Ground, Silver-Neutral          |                       |
| Product ID                 | Ratings and NEMA ID permanently marked on device |                       |
| Cord Grip Range (in)       | 15 Amp   | .234 - .687 diameter  |
|                            | 20 Amp   | .375 - .875 diameter  |
|                            | 30 Amp   | .625 - 1.125 diameter |
| Standards & Certifications |  |                       |
| NEMA                       | WD-6   |                       |
| ANSI                       | C-73   |                       |
| UL                         | 498  |                       |
| CSA                        | C22.2 No. 42                                     |                       |
| NOM                        | #057   |                       |

For Fed Spec information, please consult the factory for details.

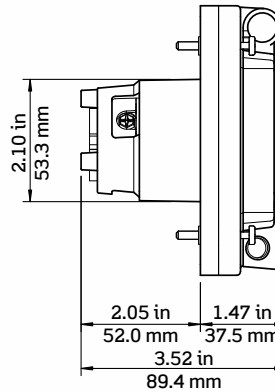
# Wetguard Inlets and Outlets Technical Specifications



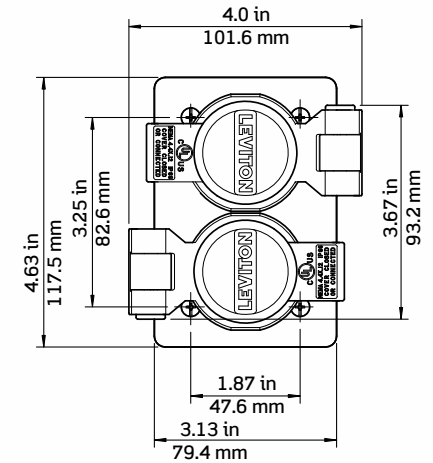
**All Single Inlets and Outlets**



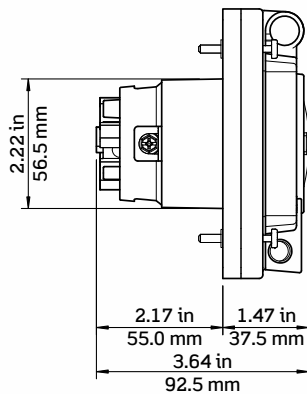
**All 15A and 20A Straight Blade, 15A and NEMA L2-20, Locking Single Inlets and Outlets**



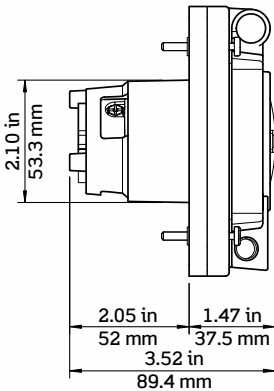
**All 20A 3-Wire Locking Single Inlets and Outlets**



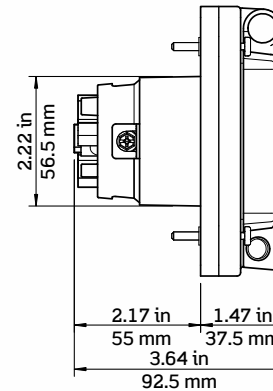
**All Duplex Outlets**



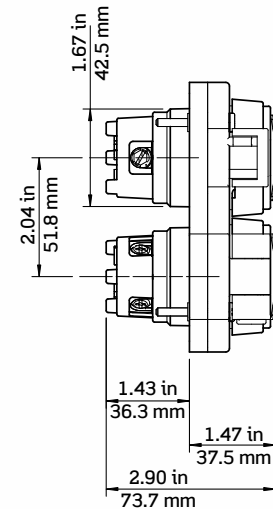
**All 20A, 4- and 5-Wire Locking Single Inlets and Outlets**



**All 30A, 3-Wire Locking Single Inlets and Outlets**



**All 30A, 4- and 5-Wire Locking Single Inlets and Outlets**



**All Duplex Outlets**



| Electrical Specifications        |   |
|----------------------------------|---|
| Dielectric Voltage               | Withstands 2000V per UL 498                                 |
| Current Limiting                 | Full rated current  |
| Temperature Rise                 | Max 30°C after 250 cycles overload at 200% of rated current |
| Environmental Specifications     |   |
| Flammability                     | Rated V-2 per UL 94 (wiring module)                         |
| Operating Temperature            | -40°C to 60°C   |
| Enclosure Ratings                | NEMA 4, 4X, 12  |
|                                  | IEC IP66  |
| Material Specifications          |   |
| Cover/Lid                        | Valox PBT   |
| Wiring Module Mounting Cup       | Valox PBT   |
| Wiring Module                    | Nylon   |
| Cover Gasket                     | Santoprene TPV  |
| Torsion Spring Mechanism         | Stainless Steel   |
| Blades/Contacts, Terminal Clamps | Electroless Nickel-coated Brass                             |
| Terminal Screws                  | Electroless Nickel-coated Brass                             |
| Mounting & Assembly Screws       | Stainless steel, non-magnetic                               |

| Mechanical Specifications  |        |  |
|----------------------------|--------|--|
| Terminal Accommodation     | 15 Amp | #18 AWG to #10 AWG                               |
|                            | 20 Amp | #16 AWG to #10 AWG                               |
|                            | 30 Amp | #12 AWG to #8 AWG                                |
| Terminal ID                |        | Brass-Hot, Green-Ground, Silver-Neutral          |
| Product ID                 |        | Ratings and NEMA ID permanently marked on device |
| Standards & Certifications |        |  |
| NEMA                       |        | WD-6   |
| ANSI                       |        | C-73   |
| UL                         |        | 498  |
| CSA                        |        | C22.2 No. 42                                     |
| NOM                        |        | #057   |

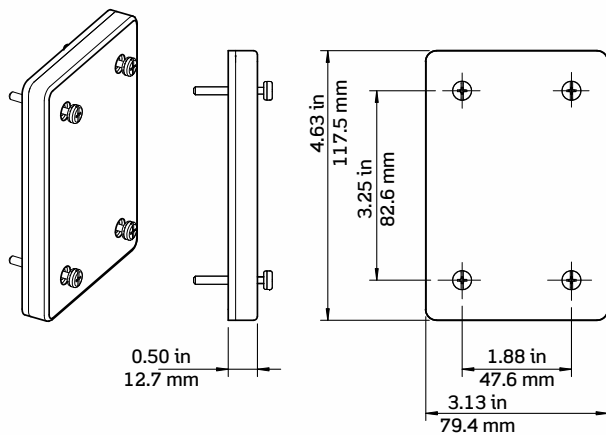
# Wetguard Covers Technical Specifications

## Material Specifications

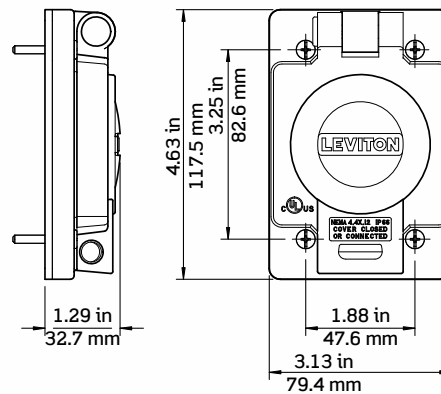
|                                      |                        |
|--------------------------------------|------------------------|
| Cover/Lid                            | Valox PBT              |
| Torsion Spring Mechanism (Flip Lids) | Stainless Steel        |
| Gasket                               | Santoprene TPV         |
| Actuator Handle (Switch Cover)       | Valox PBT              |
| Actuator Spring (Switch Cover)       | Zinc-plated music wire |
| Mounting Screws                      | Stainless Steel        |

## Environmental Specifications

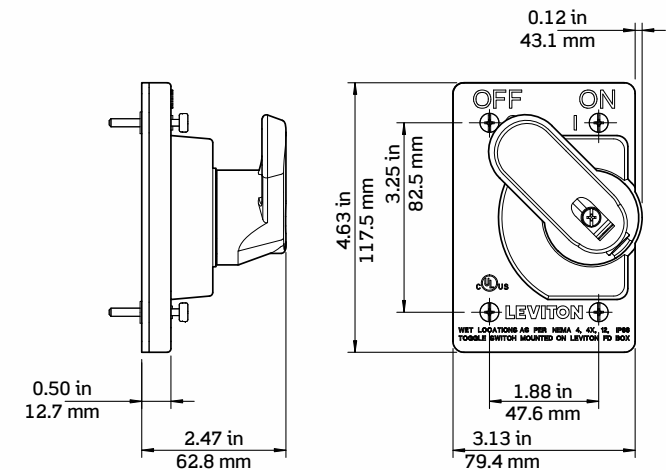
|                   |                |
|-------------------|----------------|
| Enclosure Ratings | NEMA 4, 4X, 12 |
|                   | IEC IP66       |



Blank Cover



Cover for Single Flush Receptacles



Cover for Toggle Switch

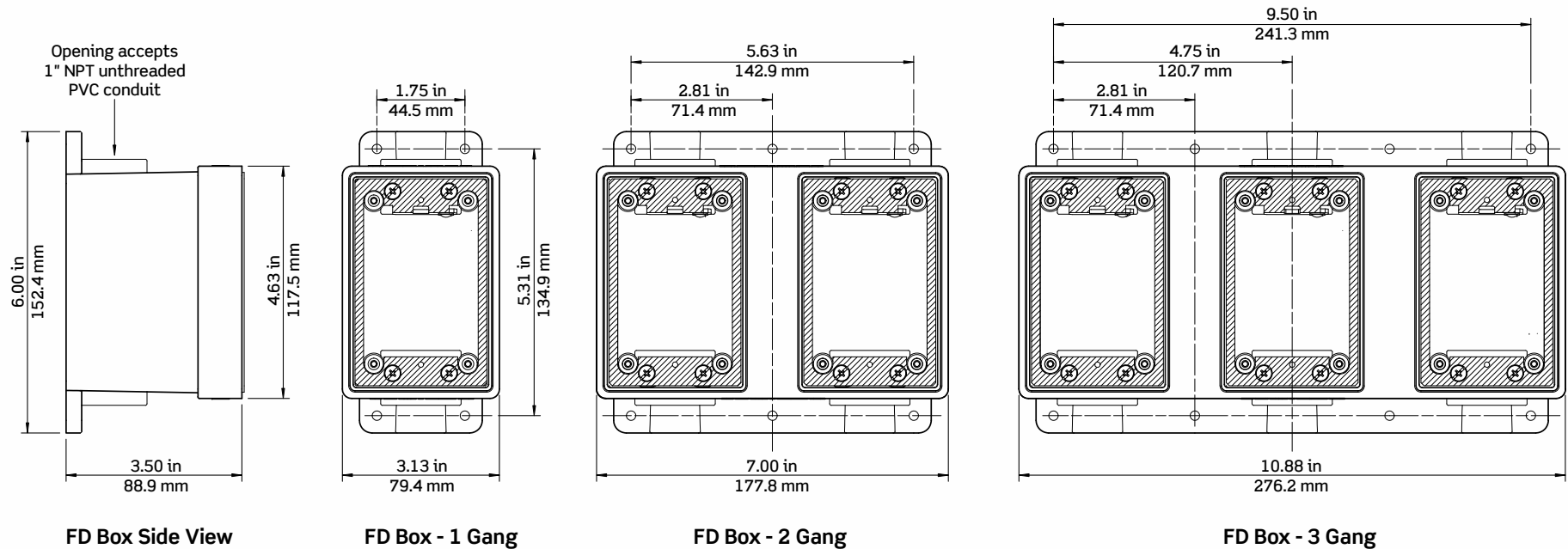
# Wetguard FD Boxes Technical Specifications

**LIFETIME  
WARRANTY**

| Material Specifications |  |
|-------------------------|--|
| Box                     | Rigid PVC                              |
| Reducers/Plugs          | Rigid PVC                              |
| Frame (2- and 3-gang)   | Valox PBT                              |
| Gasket (2- and 3-gang)  | Santoprene TPV                         |
| Threaded Inserts        | Brass                                  |
| Mounting Plate          | Stainless Steel                        |
| Grounding Wire          | Green #12 AWG stranded copper, 8" long |
| Box Volume              |  |
| One-Gang                | 26.0 cu in/426 cu cm                   |
| Two-Gang                | 67.3 cu in/1103 cu cm                  |
| Three-Gang              | 109.1 cu in/1788 cu cm                 |

| Environmental Specifications |                |
|------------------------------|----------------|
| Enclosure Ratings*           | NEMA 4, 4X, 12 |
|                              | IEC IP66       |

\* with cover closed or connected





## Technical Reference

### Enclosure Classifications

Enclosures serve the dual purpose of protecting personnel from incidental contact with the enclosed electrical equipment and protecting the enclosed equipment against specified environmental conditions. Enclosures are rated for use in specific environmental conditions by NEMA, UL, CSA and the IEC. The rating systems most often cited are the NEMA Enclosure Type Numbers as defined in NEMA Standards Publication 250 (and corresponding UL/CSA designations) and the IEC Enclosure Classification Designation as defined in the International Standard IEC 60529 - Degrees of protection provided by enclosures (IP Code).

### IEC Enclosure Classifications

The International Electrotechnical Commission (IEC) is an international standards organization that prepares and publishes International Standards for all electrical, electronic and related technologies. IEC 60529 classifies the degrees of protection provided against the intrusion of solid objects (including body parts like hands and fingers), dust, accidental contact, and water in electrical enclosures.

| IEC 60529 - IP Suitability Ratings                 |                    |   |   |                                      |  |
|--|--------------------|---|---|--------------------------------------|--|
| First Number - Degree of Access to Hazardous Parts |                    |   | Second Number - Degree of Protection From Water Ingress |                                      |  |
| Level  | Ingress Limit      | Effective Against   | Level   | Ingress Limit                        | Effective Against  |
| 0  | —                  | No protection against contact and ingress of objects  | 0   | —                                    | No protection against water ingress  |
| 1  | ≥ 50 mm diameter   | Any large surface of the body, such as the back of a hand, but no protection against deliberate contact with a body part                              | 1   | Dripping water                       | Dripping water (vertically falling drops) shall have no harmful effect   |
| 2  | ≥ 12.5 mm diameter | Fingers or similar objects  | 2   | Dripping water when tilted up to 15° | Vertically dripping water shall have no harmful effect when the enclosure is tilted at an angle up to 15° from its normal position               |
| 3  | ≥ 2.5 mm diameter  | Tools, thick wires, etc.  | 3   | Spraying water                       | Water falling as a spray at any angle up to 60° from the vertical shall have no harmful effect   |
| 4  | ≥ 1 mm diameter    | Most wires, screws, etc.  | 4   | Splashing water                      | Water splashing against the enclosure from any direction shall have no harmful effect  |
| 5  | Dust protected     | Ingress of dust is not entirely prevented, but it must not enter in sufficient quantity to interfere with the satisfactory operation of the equipment | 5   | Water jetting                        | Water projected by a nozzle (6.3 mm) against enclosure from any direction shall have no harmful effects  |
| 6  | Dust-tight         | No ingress of dust  | 6   | Powerful water jetting               | Water projected in powerful jets (12.5 mm nozzle) against the enclosure from any direction shall have no harmful effects                         |
|  |                    |   | 7   | Temporary immersion (up to 1 m)      | Ingress of water in harmful quantity shall not be possible when the enclosure is immersed in water under defined conditions of pressure and time |
|  |                    |   | 8   | Continuous immersion                 | The equipment is suitable for continuous immersion in water under conditions which shall be specified by the manufacturer                        |

## NEMA, UL, and CSA Enclosure Classifications

NEMA, UL, and CSA are standard writing organizations commonly recognized in North America. Their ratings are based on similar application descriptions and expected performance. UL and CSA both require enclosure testing by qualified evaluators. NEMA does not require independent testing and leaves compliance completely up to the manufacturer. Below is a partial listing of the NEMA/UL/CSA.

| Rating          | NEMA Standard 250   | UL 50  | CSA Standard C22.2 No 94  |
|-----------------|---|--|---|
| <b>Type 1</b>   | Indoor use to provide a degree of protection against contact with the enclosed equipment; in locations where unusual service conditions do not exist.   | Indoor use to provide a degree of protection against contact with the enclosed equipment and against a limited amount of falling dirt.   | General purpose enclosure. Protects against accidental contact with live parts.   |
| <b>Type 2</b>   | Indoor use to provide a degree of protection against contact with the enclosed equipment and against limited amounts of falling water and dirt.   | Indoor use to provide a degree of protection against limited amounts of falling water and dirt.  | Drip proof enclosure same as Type 1; indoor use to provide a degree of protection against dripping and light splashing of non-corrosive liquids and falling dirt.   |
| <b>Type 3</b>   | Indoor or outdoor use to provide a degree of protection against windblown dust, rain and sleet; undamaged by the formation of ice on the enclosure (not sleet proof).                                       | Indoor or outdoor use to provide a degree of protection against windblown dust, rain and sleet; undamaged by the formation of ice on the enclosure.  | Indoor or outdoor use; provides a degree of protection against rain, snow, and windblown dust; undamaged by the external formation of ice on the enclosure.   |
| <b>Type 3R</b>  | Indoor or outdoor use to provide a degree of protection against falling rain and sleet; undamaged by the formation of ice on the enclosure.   | Indoor or outdoor use to provide a degree of protection against falling rain and sleet; undamaged by the formation of ice on the enclosure.  | Weather proof enclosure; indoor or outdoor use to provide a degree of protection against rain or snow; undamaged by the external formation of ice on the enclosure.   |
| <b>Type 3S</b>  | Indoor or outdoor use to provide a degree of protection against falling dirt, rain, sleet, snow, and windblown dust; and in which the external mechanism(s) remain operable when ice laden.                 | Indoor or outdoor use primarily to provide a degree of protection against rain, sleet, windblown dust and to provide for operation of external mechanisms when ice laden.                      | Weather proof enclosure; indoor or outdoor use to provide a degree of protection against rain or snow; undamaged by the external formation of ice on the enclosure surface.                                       |
| <b>Type 4</b>   | Indoor or outdoor use primarily to provide a degree of protection against windblown dust and rain, splashing water, and hose directed water; undamaged by the formation of ice on the enclosure.            | Indoor or outdoor use to provide a degree of protection against falling rain, splashing water, and hose-directed water; undamaged by the formation of ice on the enclosure.                    | Indoor or outdoor use; provides a degree of protection against rain, snow, windblown dust, splashing and hose-directed water; undamaged by the external formation of ice on the enclosure.                        |
| <b>Type 4X</b>  | Indoor or outdoor use primarily to provide a degree of protection against corrosion, windblown dust and rain, splashing water, and hose-directed water; undamaged by the formation of ice on the enclosure. | Indoor or outdoor use to provide a degree of protection against falling rain, splashing water, and hose-directed water; undamaged by the formation of ice on the enclosure; resists corrosion. | Indoor or outdoor use; provides a degree of protection against rain, snow, windblown dust, splashing and hose-directed water; undamaged by the external formation of ice on the enclosure; resists corrosion.     |
| <b>Type 6</b>   | Indoor or outdoor use where occasional submersion is encountered, limited depth; undamaged by the formation of ice on the enclosure.  | Indoor or outdoor use to provide a degree of protection against entry of water during temporary submersion at a limited depth; undamaged by the external formation of ice on the enclosure.    | Indoor or outdoor use; provides a degree of protection against the entry of water during temporary submersion at a limited depth. Undamaged by the external formation of ice on the enclosure; resists corrosion. |
| <b>Type 6P</b>  | Indoor or outdoor use to provide a degree of protection against the entry of water during prolonged submersion at a limited depth.  | Indoor or outdoor use to provide a degree of protection against the entry of water during prolonged submersion at a limited depth.   | No CSA equivalent.  |
| <b>Type 12</b>  | Indoor use to provide a degree of protection against dust, falling dirt and dripping non-corrosive liquids - No knockouts.  | Indoor use to provide a degree of protection against dust, falling dirt and dripping non-corrosive liquids - No knockouts.   | Indoor use to provide a degree of protection against circulating dust, lint, fibers, dripping and light splashes of non-corrosive liquids.  |
| <b>Type 12K</b> | Enclosures with knockouts are intended for indoor use primarily to provide a degree of protection against dust, falling dirt, and dripping non-corrosive liquids.   | Indoor use to provide a degree of protection against dust, dirt, dripping water, and external condensation of non-corrosive liquids. Knockouts located in the top or bottom walls, or both.    | Indoor use to provide a degree of protection against circulating dust and lint; dripping and light splashing of non-corrosive liquids; provided with knockouts.   |
| <b>Type 13</b>  | Indoor use to provide a degree of protection against lint, dust, seepage, external condensation and spraying of water, oil and non-corrosive coolant.   | Indoor use to provide a degree of protection against dust and spraying of water, oil and non-corrosive coolants.   | Indoor use to provide a degree of protection against circulating dust, lint, fibers, seepage and spraying of non-corrosive liquids including oils and coolants.   |

## Technical Reference (continued)

### Comparing North American and International Enclosure Classifications

NEMA Standard 250 is a product standard that addresses construction and performance elements of the enclosure itself, along with its ability to protect persons from contacting hazardous components inside and against solid object and water ingress. IEC 60529 is NOT a product standard, and only covers the enclosure's ability to protect persons from contacting hazardous components inside the enclosure, as well as from solid object and water ingress. As a result, there is not a direct correlation between the two classifications. Additionally, if the requirement for an enclosure Type is specified, an enclosure with just an IP rating cannot be substituted. However, while NEMA Type ratings meet and exceed the test requirements of associated IEC classifications, the table below shows the comparative relationship between the two ratings (as outlined in the NEMA whitepaper: A Brief Comparison of NEMA 250 and IEC 60529).



| NEMA Enclosure Type Number | IEC Enclosure "IP" Designation |
|----------------------------|--------------------------------|
| 1                          | 20                             |
| 2                          | 22                             |
| 3                          | 55                             |
| 3R                         | 24                             |
| 3S                         | 55                             |
| 4 and 4X                   | 66                             |
| 5                          | 53                             |
| 6                          | 67                             |
| 6P                         | 68                             |
| 12 and 12K                 | 54                             |
| 13                         | 54                             |

Note: This table cannot be used to convert from IEC classifications to NEMA types

### Testing Standards

In applications such as processing plants and industrial marinas, electrical devices are frequently exposed to high pressure water streams, temporary immersion in water and corrosive environments (such as salt air). It is imperative that the electrical connectors are able to withstand the rigors of such environments.

**Leviton Wetguard devices are tested to and exceed IEC and UL watertight and weatherproof standards. These independent tests have defined parameters as noted in the text that follows:**

#### IEC IP Water Penetration Test:

Water is sprayed from a 12.5 millimeter (.5 inches) diameter nozzle from a distance of 3 meters (10 feet) at a rate of 100 liters (26 gallons) per minute on a joined plug and connector. The water spray is directed at the connector/plug joint and cable entries. Additionally, parts are submerged in water 1 meter (3 feet) deep for 30 minutes.

**Result: Wetguard Plugs and Connectors are rated to IP67 when connected.**

#### UL NEMA Water Penetration Test:

Water is sprayed from a 25 millimeter (1 inch) diameter nozzle from a distance of 3.5 meters (12 feet) at a rate of 240 liters (65 gallons) per minute on a joined plug and connector. The water spray is directed at the connector/plug joint and cable entries. Additionally, parts are submerged in water 1.8 meters (6 feet) deep for 24 hours and subjected to a salt spray (fog) for 200 hours.

**Result: Wetguard Plugs and Connectors are rated to NEMA 4, 4X, 6, and 6P when connected.**



Watertight  
done right.

wetguard®

**Leviton Manufacturing Co., Inc.**

201 N Service Rd, Melville, NY 11747

Telephone: 1-800-323-8920 • Fax: 1-800-832-9538

Tech Line (8:30AM-7:00PM E.S.T. Monday-Friday): 1-800-824-3005

**Leviton Manufacturing of Canada, Ltd.**

165 Hymus Blvd, Pointe-Claire, QC H9R 1E9

Telephone: 1-800-469-7890 • Fax: 1-800-563-1853

**Leviton S. de R.L. de C.V.**

Lago Tana 43, Col. Huichapan, Miguel Hidalgo, CP 11290 México DF

Telephone: (+52) 55-5082-1040 • Fax: (+52) 55-5386-1797 • [www.leviton.com.mx](http://www.leviton.com.mx)

**Visit our Website at: [www.leviton.com/industrial](http://www.leviton.com/industrial) email: [industrial@leviton.com](mailto:industrial@leviton.com)**

© 2011 Leviton Manufacturing Co., Inc. All rights reserved. Santoprene is a registered trademark of Exxon Mobil.

Lexan and Valox are registered trademarks of SABIC Innovative Plastics. Decora, Dustguard, and Wetguard are a registered trademarks of Leviton Manufacturing.