

# H-MOSS® Occupancy Sensors

## Ceiling Sensors

Featuring Adaptive Technology



### All H-MOSS ceiling sensors with Adaptive Technology, contain the following standard features:

- Adaptive technology – “Install and forget” operation
- All digital sensing technology
- Photocell for daylight harvesting and relay to interface with auxiliary systems such as HVAC (RP models)
- Non-volatile memory – Learned and adjusted settings retained after power outage
- 24V DC, 33mA
- 32kHz (ATD/ATU500C & CRP - 40kHz)
- Mounting base included with sensor



**ATD2000CRP  
ATD2000C**



**ATD1000CRP  
ATD1000C  
ATD500CRP  
ATD500C**

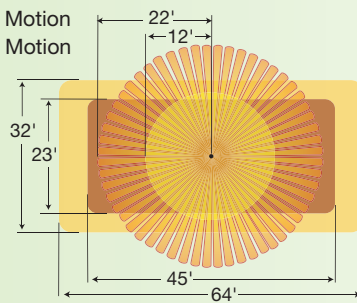
### Adaptive Technology, Dual (Ultrasonic and Passive Infrared)

Combines the excellent minor motion detection of ultrasonic with the outstanding passive infrared (PIR) long-range major motion detection.

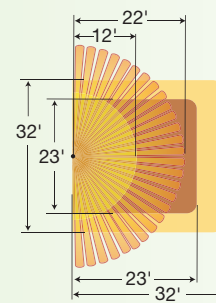
Coverage	Color	Catalog Numbers
2000 sq. ft. with photocell and isolated relay	White	<b>ATD2000CRP</b>
2000 sq. ft.	White	<b>ATD2000C</b>
1000 sq. ft. with photocell and isolated relay	White	<b>ATD1000CRP</b>
1000 sq. ft.	White	<b>ATD1000C</b>
500 sq. ft. with photocell and isolated relay	White	<b>ATD500CRP</b>
500 sq. ft.	White	<b>ATD500C</b>

Note: All ATD ceiling sensors must use a CU series control unit.

- Ultrasonic Major Motion
- Ultrasonic Minor Motion
- Passive Infrared



ATD2000CRP, ATD2000C



ATD1000CRP, ATD1000C

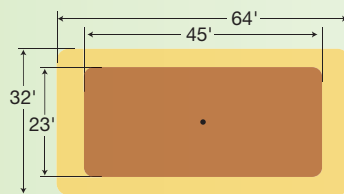
### Adaptive Technology, Ultrasonic

Excellent minor motion detection.

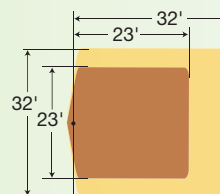
Coverage	Color	Catalog Numbers
2000 sq. ft. with photocell and isolated relay	White	<b>ATU2000CRP</b>
2000 sq. ft.	White	<b>ATU2000C</b>
1000 sq. ft. with photocell and isolated relay	White	<b>ATU1000CRP</b>
1000 sq. ft.	White	<b>ATU1000C</b>
500 sq. ft. with photocell and isolated relay	White	<b>ATU500CRP</b>
500 sq. ft.	White	<b>ATU500C</b>

Note: All ATU ceiling sensors must use a CU series control unit.

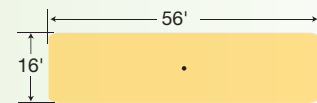
- Ultrasonic Major Motion
- Ultrasonic Minor Motion



ATU2000CRP, ATU2000C



ATU1000CRP, ATU1000C



ATU2000CRP, ATU2000C  
Hallway Application



# H-MOSS® Occupancy Sensors Specifications and Wiring Schematics

*Dual Technology and Ultrasonic Wall Switches*

## Adaptive Dual Technology Wall Switch AD1277 Series Wall Switches

Electrical	AD1277 Series
Power Supply	120/277V AC, 50/60 Hz.
Load Capacity	
Incandescent	0 to 800 watts.
120V AC	0 to 600 watts.
277V AC	0 to 1200 watts.
Agency Approvals	cUL US Listed.

Physical	
Housing	High impact plastic (UL-94-5V).
Lens	Dual element pyrometer and 12 element cylindrical hard lens.
Dimensions	Face 2.59"H x 1.73"W, 0.37"D (from wall out).
Mounting Height	42 to 54 inches above floor.

Environmental	
Operating	32°F to 104°F (0°C to 40°C); 0% to 95% non-condensing relative humidity.

Controls	
Time Delay	Digital, adaptive 4 to 30 minutes.
Ambient Light	Adjustable ambient light override, 10 to 500 foot candles.
Front Press Switch	Auto/Off.
Sensitivity	Adaptive 0% to 100%.
Service Switch	Air gap off.

Sensing Indicator	
Passive Infrared	Red LED.
Ultrasonic	Green LED.

## Adaptive Technology Ultrasonic and Passive Infrared Wall Switches AP1277 and AU1277 Series Wall Switches

Electrical	AP1277 Series, AU1277 Series
Power Supply	120/277V AC, 50/60 Hz.
Load Capacity	
Incandescent	0 to 800 watts.
120V AC	0 to 600 watts.
277V AC	0 to 1200 watts.
Agency Approvals	cUL US Listed.

Physical	
Housing	High impact plastic (UL-94-5V).
Lens	Dual element pyrometer and 12 element cylindrical hard lens (AP1277 only).
Dimensions	Face 2.59"H x 1.73"W, 0.37"D (from wall out).
Mounting Height	42 to 54 inches above floor.

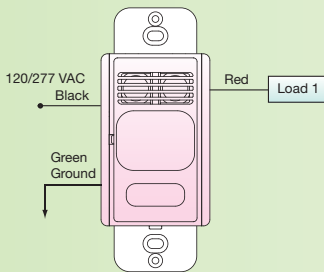
Environmental	
Operating	32° F to 104°F (0°C to 40°C); 0% to 95% non-condensing relative humidity.

Controls	
Time Delay	Digital, adaptive 4 to 30 minutes. 20 minutes default.
Ambient Light	Adjustable ambient light override, 10 to 500 foot candles.
Front Press Switch	Auto/Off.
Sensitivity	Adaptive 0% to 100%.
Service Switch	Air gap off.

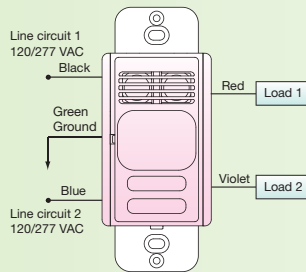
Sensing Indicator	
Passive Infrared	Red LED (AP1277 only).
Ultrasonic	Green LED.

## Wiring Schematic AD, AU, AP, 1277 Series Wall Switch Sensors

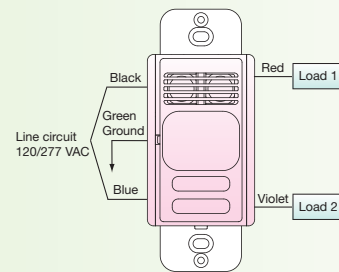
Single Circuit Wiring



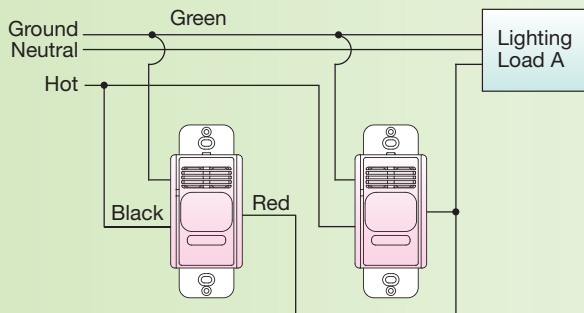
Dual Circuit Sensor, Wired for Dual Circuits



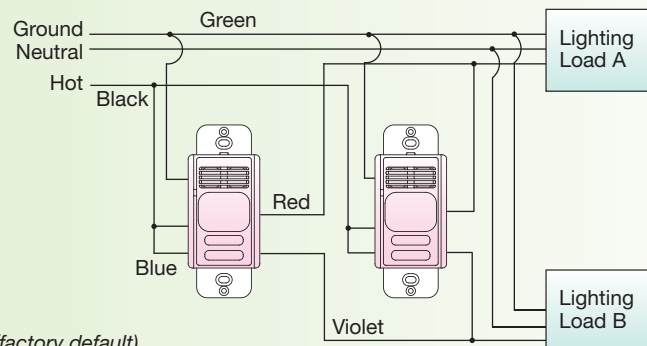
Dual Circuit Sensor, Wired for Single Circuit



Single Circuit Sensor wired as 3-Way Sensor



Dual Circuit Sensor wired as 3-Way Sensor



Note: Sensor is shipped with all dip switches in the OFF position (factory default).



# H-MOSS® Occupancy Sensors

## Wiring Schematics

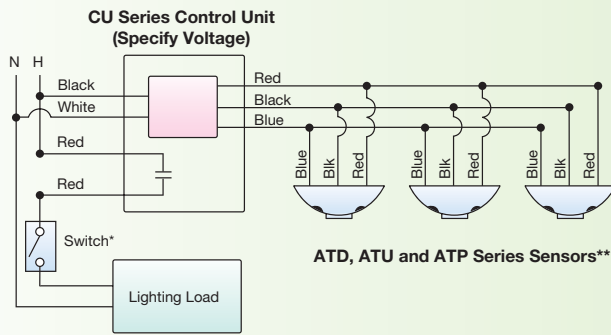
Ceiling and Wall Mount Sensors



### Adaptive Dual Technology, Ultrasonic, and Passive Infrared Ceiling and Wall Mount Sensors ATD, ATU and ATP Series Ceiling and Wall Mount Sensors

#### Single Circuit Application:

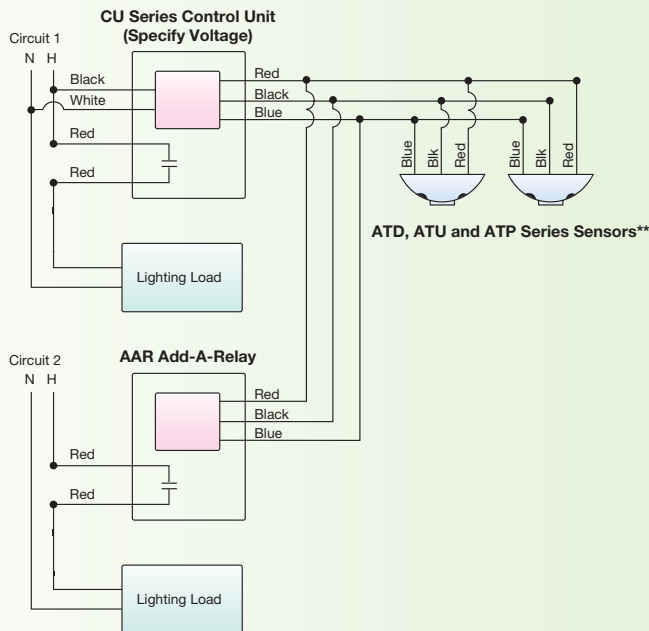
1 to 3 sensors wired to control unit with optional override off switch.



\* Optional Override Off Switch

#### Two Circuit Application:

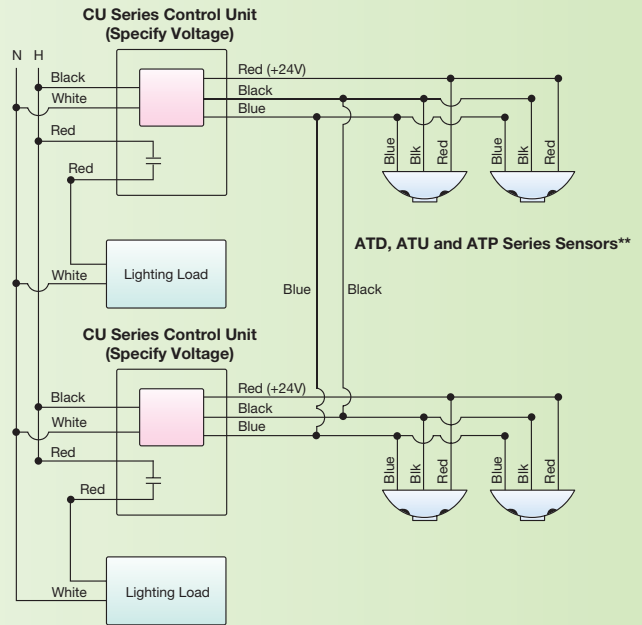
1 to 2 sensors wired to control unit and Add-A-Relay (control unit switches circuit 1, Add-A-Relay switches circuit 2).



**\*\*Note:** For wiring sensors with isolated relay and photocell option (models with "RP" suffix): Photocell Option: Cap off Blue sensor wire. Connect Grey sensor wire to Blue control unit wire. Isolated Relay Option: Common-Blue/White wire, Normally Closed-Black/White wire, Normally Open-Yellow/White wire.

#### Single Circuit Application:

Two control units wired in parallel to operate 4 to 6 sensors in a single zone. Maximum 3 sensors per control unit any sensor will activate lighting.



#### Two Circuit Application:

Two control units wired in two circuits to operate 3 to 6 sensors in a single zone. Maximum 3 sensors per control unit any sensor will activate both lighting loads.

