

Straight Blade Receptacles

Industrial, Commercial and Residential Grade

Leviton offers a full line of 15, 20, 30, 50 and 60 Amp receptacles, available in Industrial, Commercial and Residential Grade, with a wide variety of colors, wiring options and other features.

UL Listed Hospital Grade Receptacles undergo the most stringent Underwriter's Labs tests to assure continuous, safe operation despite abusive conditions that might cause lesser devices to fail. All Leviton Hospital Grade Devices, designated by a green dot on the device face, are suitable for any application requiring high-abuse tolerance — in schools, manufacturing plants and health care facilities, as well as hospitals.

The following pages provide a comprehensive overview of the complete Leviton Straight Blade Receptacle product line.

INDUSTRIAL GRADE	
Overview	D1
Hospital Grade	D2
Back and Side Wired	D2
Isolated Ground Receptacles and Wallplates	D2
Four-In-One	D4
Industrial Grade	D3-D4
Back and Side Wired	D3
Side Wired	D3
Dual Voltage	D3
Clock Hanger	D3
Four-In-One Receptacles, Adapter Plates and Portable Boxes	D4
Power Devices	D5-D10
2-Pole, 3-Wire Grounding	D5, D6, D8
3-Pole, 3-Wire Non-Grounding	D6, D9
3-Pole, 4-Wire Grounding	D7, D9, D10
4-Pole, 4-Wire Non-Grounding	D5, D7, D10

COMMERCIAL GRADE	
Overview	D11
Back and Side Wired	D12, D14
Dual-Voltage Grounding	D12
Side Wired	D12-D14
QuickPort® Snap-In Jacks, Modules and Floorplates	D14
RESIDENTIAL GRADE	
8-Hole Quickwire Push-In, Grounding	D15
Quickwire Push-In and Side Wired, Grounding	D15
Side Wired, Grounding	D15, D16
CO/ALR Side Wired, Grounding	D15
Side Wired, Non-Grounding	D16
Clock Hanger	D16
Snap-In Devices	D16



SECTION D

Industrial Grade

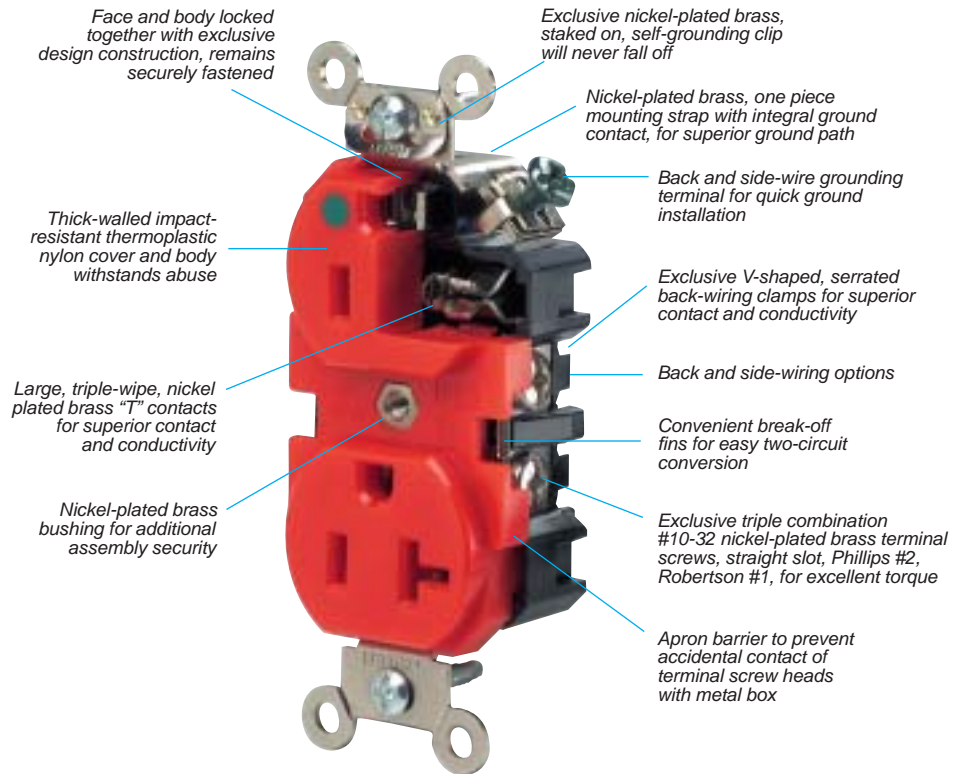


Straight Blade Receptacles

Leviton's Industrial Grade Straight Blade Receptacles are built to the most demanding standards for performance and reliability. They're designed to withstand the highest abuse and resist impact, cracking and harsh chemicals.

Features and Benefits

- UL Listed 498 for Hospital Grade (UL File #13399); UL Federal Specification WC-596 Listing
- CSA Certified where applicable (CSA File #LR-406)
- NOM Certified
- Meets NEMA WD-1 and 6 and ANSI standards
- All industrial back and side wired receptacles have #10-32 triple combination head terminal screws; straight, Phillips and Robertson. All industrial side-wired receptacles have #8-32 triple combination head terminal screws
- Back and side wiring options accept #14-#10 AWG stranded or solid wire
- Break-off fins for easy two-circuit conversion
- Apron barrier to prevent accidental contact between terminal screw heads and metal box
- Exclusive V-shaped, serrated back-wiring clamps for superior contact and conductivity
- Backed by a Limited 10-Year Warranty
- Isolated Ground Receptacles are also available with Decora Designer styling (See Decora Plus Devices, Section A)



Cat. No. 8300-R

A Complete Line of Straight Blade Receptacles

Hospital Grade,

Tamper Resistant



This back and side-wired receptacle allows easy plug insertion but prevents small-object insertion.

Cat. No. 8200-SGI

Hospital Grade,

Isolated Ground



Provides a pure ground path to a building's isolated ground system.

Cat. No. 8200-IG

Industrial Grade

Back and Side Wired



Eight deep-funnel, back-wiring holes accept #10-14 AWG solid and stranded wire.

Cat. No. 5262-I

Four-In-One



Hardwire device converts a duplex receptacle installation into four receptacles without multiple installation labor and material costs.

Cat. No. 1254-W

Commercial Grade



Double wipe contacts, wrap-around strap and snap-together cover and base.

Cat. No. CR15

Residential Grade



Exclusive, triple-combination terminal screws backed out for fast wiring.

Cat. No. 5320-A

Industrial Grade



Straight Blade Receptacles

Hospital Grade

Back and Side Wired (Basic Cat. No. Denotes Brown Device*)

DESCRIPTION	CAT. NO./COLOR 15A/125V	CAT. NO./COLOR 15A/250V	CAT. NO./COLOR 20A/125V	CAT. NO./COLOR 20A/250V
	5-15R	6-15R	5-20R	6-20R
Duplex Receptacle	8200 I, W, GY, R	8600 I	8300 I, W, GY, R, E	8400 I
Single Receptacle	8210 I, W, R	—	8310 I, W, GY, R	—
Slim Design Receptacle	8200-H I, W, GY, R	—	8300-H I, W, GY, R	—
Duplex Receptacle, Tamper-Resistant	8200-SG I, W, G, R	—	8300-SG I, W, G, R	—
Illuminated Duplex Receptacle	8200-HL I, W, G, R, No Brown	—	8300-HL I, W, R, No Brown	—
Pilot Light Duplex Receptacle	8200-PL I, W, R, No Brown	—	8300-PL I, W, R, No Brown	—

Note: Single, Slim Design, Illuminated, Pilot Light and Tamper-Resistant Receptacles meet specifications for UL Hospital Grade listing but have a different construction and design from standard Hospital Grade Duplex Receptacles listed above.

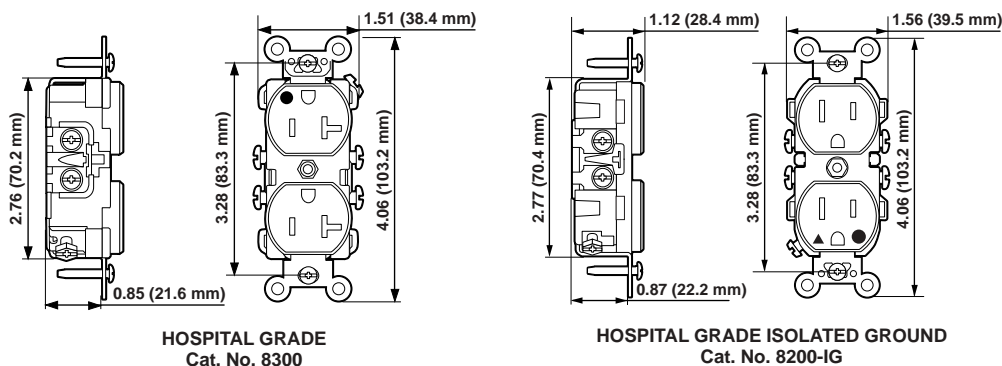
Isolated Ground Receptacles (Basic Cat. No. Denotes Orange Device*)

DESCRIPTION	CAT. NO./COLOR 15A/125V	CAT. NO./COLOR 15A/250V	CAT. NO./COLOR 20A/125V	CAT. NO./COLOR 20A/250V
Duplex Receptacle	8200-IG B, I, W, G, R	—	8300-IG B, I, W, G, R	—
Duplex Receptacle w/6" Ground Lead	8200-LIG Orange Only	—	8300-LIG Orange Only	—
Single Receptacle	8210-IG Orange Only	—	8310-IG Orange Only	—

Wallplates for Isolated Ground Receptacles (Engraved with "Isolated Ground")

DESCRIPTION	CAT. NO.	COLOR*
1-Gang 1-Duplex Receptacle	80703-IG	I, W
1-Gang 1-Single Receptacle with 1.406" dia. hole	80704-IG	Orange Only

All devices are UL Listed and CSA Certified.



See Page D4 for Leviton's full line of Four-In-One Receptacles.

See Section R for Leviton's full line of Surge Protective Devices.



8300-SGR



8200-PLR

SPECIFICATIONS & FEATURES

- Impact-resistant thermoplastic nylon cover and body
- Smooth face does not collect dirt
- Four corner latches securely fasten face
- Large, triple-wipe, brass "T" contacts for superior contact and conductivity
- High-performance brass #10-32 terminal screws to reduce conductor oxidation
- Back and side-wire ground termination-brass strap version
- Back and side-wiring options
- Break-off tabs for easy two-circuit conversion
- Apron barrier to prevent accidental contact between terminal screw heads and metal box
- Exclusive V-shaped, serrated back-wiring clamps for superior contact

TESTING & CODE COMPLIANCE

- UL Listed 498 for Hospital Grade (UL File #13399); UL Federal Specification WC-596
- CSA Certified (CSA File #152105)
- NOM Certified (#057)
- Meets NEMA WD-1 & 6, and ANSI standards
- Backed by a Limited 10-Year Warranty

*COLOR

Basic Cat. Nos. shown above denote Brown for Hospital Grade and Orange for Isolated Ground (-IG) Devices. Isolated Ground Receptacle is distinguished by an orange triangle on its face. For other color selections, add suffix to the catalog number as follows: Ivory (-I), White (-W), Brown (for IG devices only, add -B), Red (-R), Gray (-G or -GY) and Black (-E).

MATERIAL CHARACTERISTICS

Environmental: Flammability, Rated V2
Operating Temperature: From -40° C (without impact) to 60° C maximum continuous



Back and Side Wired (Basic Cat. No. Denotes Brown Device)*

DESCRIPTION	CAT. NO./COLOR 15A/125V	CAT. NO./COLOR 15A/250V	CAT. NO./COLOR 20A/125V	CAT. NO./COLOR 20A/250V
	5-15R	6-15R	5-20R	6-20R
Duplex Receptacle, Brass Strap	5262 I, W, GY, R, E	5662 I	5362 I, W, GY, R, E	5462 I, GY
Single Receptacle	5261 I, W, GY	5661 I	5361 I, W, GY, A, E	5461 I, A, GY
Narrow Body Duplex Receptacle	5252 I, W (No Brown)	—	5352 I, W (No Brown)	—
Single Receptacle, Clockhanger	5261-CH Stainless Steel	—	5361-CH Stainless Steel	—
Duplex Receptacle, Slim Body, Smooth Face	5262-S I, W, GY, R, BU, A	—	5362-S I, W, GY, R, BU, A	—

Note: Single Receptacles meet Federal Specifications WC-596 but have a different construction and design than Duplex Receptacles listed above.

*Back and Side Wired — Isolated Ground Receptacles (-IG)
(Basic Cat. No. Denotes Orange Device*)*

DESCRIPTION	CAT. NO./COLOR 15A/125V	CAT. NO./COLOR 15A/250V	CAT. NO./COLOR 20A/125V	CAT. NO./COLOR 20A/250V
Slim Design Duplex Receptacle	5262-IG B, I, W, G, R	5662-IG	5362-IG B, I, W, A, G, R	5462-IG
Slim Design, Canadian Version Duplex Receptacle	5262-SIG	—	5362-SIG	—

Side Wired (Basic Cat. No. Denotes Brown Device)*

DESCRIPTION	CAT. NO./COLOR 15A/125V	CAT. NO./COLOR 15A/250V	CAT. NO./COLOR 20A/125V	CAT. NO./COLOR 20A/250V
Duplex Receptacle	5242 I, W, GY, R	—	5342 I, W, GY, R	—
Single Receptacle	5251 I	5651 I, W	5351 I	—

Back and Side Wired Dual Voltage (Basic Cat. No. Denotes Brown Device)*

DESCRIPTION	RATING	CAT. NO.	COLOR
Duplex Receptacle	15A 125V/15A 250V	5292	I

All devices are UL Listed and CSA Certified.

SPECIFICATIONS & FEATURES

- Impact-resistant thermoplastic nylon cover and body
- Smooth face does not collect dirt
- Four corner latches securely fasten face
- Locked-in mounting strap
- Large, triple-wipe, brass "T" contacts for superior contact and conductivity
- Back and side-wiring options
- Brass terminal screws to reduce conductor oxidation
- Break-off tabs for easy two-circuit conversion
- Apron barrier to prevent accidental contact between terminal screw heads and metal box
- Exclusive V-shaped, serrated back-wiring clamps for superior contact and conductivity

TESTING & CODE COMPLIANCE

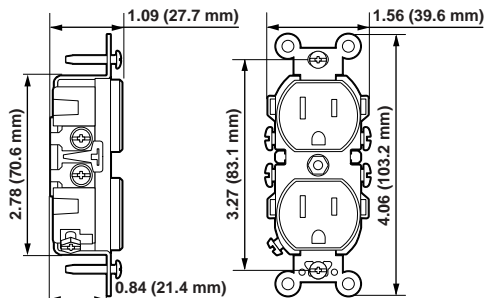
- UL Listed 498 (UL File #13399); UL Federal Specification WC-596
- CSA Certified where applicable (CSA File #LR-406)
- NOM Certified (#057)
- Meets NEMA WD-1 & 6, and ANSI standards
- Backed by a Limited 10-Year Warranty

***COLOR**

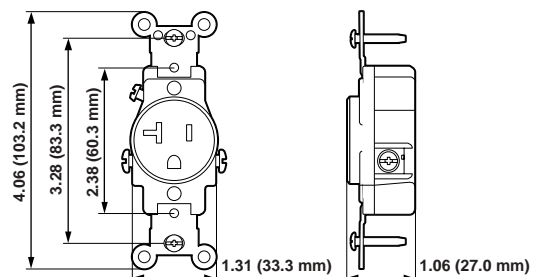
Basic Cat. Nos. shown above denote Brown device, except for Isolated Ground (-IG) devices Basic Cat. No. denotes Orange. Isolated Ground Receptacle is distinguished by an orange triangle on its face. For other color selections, add suffix to the catalog number as follows: Ivory (-I), White (-W), Brown (For IG devices only, add -B), Almond (-A), Gray (-G or -GY), Black (-E), Red (-R) and Blue (-BU).

MATERIAL CHARACTERISTICS

Environmental: Flammability, Rated V2
Operating Temperature: From -40° C (without impact) to 60°C maximum continuous



BACK & SIDE WIRED
Cat. No. 5252



SINGLE RECEPTACLE
Cat. No. 5361

Industrial Grade

Straight Blade Receptacles

Four-In-One 2-Pole 3-Wire Grounding (Basic Cat. No. denotes Brown device, except Isolated Ground devices-Basic Cat. No. denotes Orange device)

DESCRIPTION	CAT. NO./COLOR* 15A-125V	CAT. NO./COLOR* 20A-125V
	5-15R	5-20R
Nylon Four-in-One Receptacle	1254 I, W, GY, R, E	21254 I, W, GY, R, E, Y
Nylon Hospital Grade Four-in-One Receptacle	1254-H I, W, R	21254-H I, W, GY, R
Nylon Hospital Grade/Isolated Ground Four-in-One Receptacle	1254-IG I	21254-IG I, W
Nylon Surge Protective Four-in-One Receptacle	5480 I, W, GY, BU (No Brown)	5490 I, W, GY, BU (No Brown)
Nylon Surge Protective/Isolated Ground Four-in-One Receptacle	5480-IG I, B	5490-IG I, B
Nylon Hospital Grade/Isolated Ground Surge Protective Four-in-One Receptacle	8480-IG I, W, B	8490-IG I, W, B
Nylon Hospital Grade Surge Protective Four-in-One Receptacle	8480 I, W, R (No Brown)	8490 I, W, R (No Brown)



1254-GY



5480-R

Four-In-One Adapter Plates

CAT. NO.	COLOR*
3254	(Basic Cat. No. Denotes Brown) I, W, GY, R, E, OR, BLU

Four-In-One Portable Boxes

CAT. NO.	COLOR*
4254	(No Brown) I, GY, E, OR, Y

Portable boxes are not UL Listed. UL Listing does not apply when Four-in-One Receptacles are used with portable boxes for extension cord applications.

All devices are UL Listed and CSA Certified.

- Termination anchor holes for easy conductor wiring
- Deep cut mill-slotted screws resist slippage
- Exclusive shield-wall design protects ground connection from contact with live circuit conductors
- "A" and "B" molded on face and back for easy identification of receptacle pairs for split-circuit conversion
- Convenient built-in strip-gauge

TESTING & CODE COMPLIANCE

- UL Listed 498 for Hospital Grade (UL File #13399); UL Federal Specification WC-596; UL Listed Adapter Plates (File #E-13397)
- CSA Certified where applicable (CSA File #152105); CSA Certified Adapter Plates (File #LR-16347)
- NOM Certified (#057)
- Complies with NEMA WD-1 & 6, and ANSI standards
- Backed by a Limited 10-Year Warranty

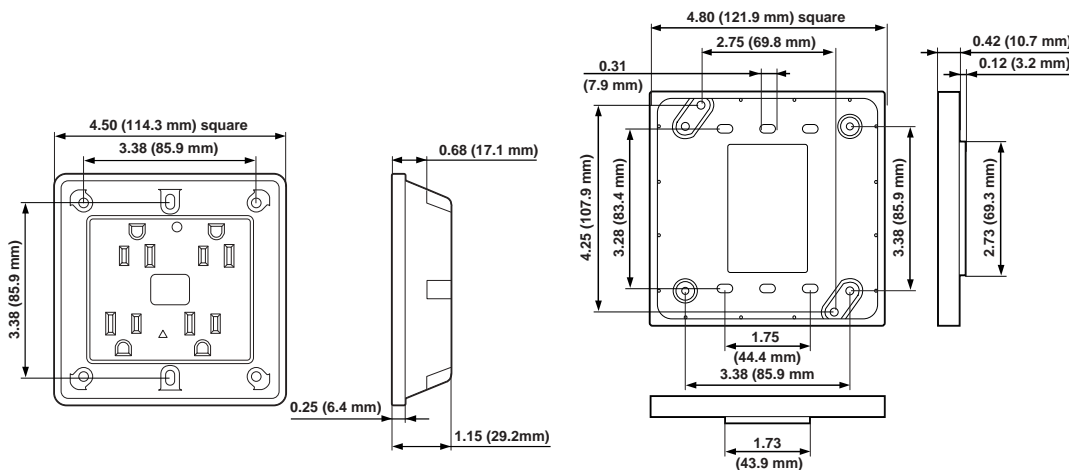
*COLOR

Basic Cat. Nos. denote Brown device, except for Isolated Ground (-IG) devices-Basic Cat. No. denotes Orange. Isolated Ground receptacle distinguished by orange triangle on its face. For other color selections, add suffix to the catalog number as follows: Ivory (-I), White (-W), Red (-R), Gray (-G or -GY), Black (-E), Orange (For adapter plates and portable boxes only, -OR), Blue (-BU, -BLU, -B) and Yellow (-Y).

MATERIAL CHARACTERISTICS

Environmental: Flammability, Rated V2
Operating Temperature: From -40° C (without impact) to 60° C maximum continuous

See Section R for Leviton's full line of Surge Protective Devices.



HOSPITAL GRADE/ISOLATED GROUND NYLON FOUR-IN-ONE RECEPTACLE
Cat. No. 1254-IG

FOUR-IN-ONE ADAPTER PLATE
Cat. No. 3254

SPECIFICATIONS & FEATURES

- Terminal wiring screws fit inside a standard single-gang wallbox; adapter plate not required (optional)
- Heavy-impact nylon cover and base for strength and resistance to chemicals and corrosives
- Smooth face; easy to clean surface

- Easy-to-read voltage and amperage rating molded onto face
- Heavy-duty, T-type triple-wipe bronze contacts for maximum performance
- Ground holes configured up or down to be outside the device, accommodating up to 4 Fed Spec size straight or angle plugs
- No. 8 terminal screws accept up to No. 12 solid or stranded copper wire

Power Devices

20 AMP 120/208V 3ØY 4-Pole 4-Wire

DESCRIPTION	CAT. NO.	WALLPLATE INFORMATION
Flush Mount Receptacle★	7250-FR	Fits any standard single gang receptacle plate. See Section G for more information.
	18-20R	
Matching Plug★	7251-C	
	18-20P	

30 AMP 125V 2-Pole 3-Wire Grounding

DESCRIPTION	CAT. NO.	WALLPLATE INFORMATION
Flush Mount Receptacle	5371†	Fits all wallplates with 2.15" diameter center hole. See Section G for more information
	5-30R	
Flush Mount Receptacle Isolated Ground	5371-IG	As above
Matching Angle Plug	9530-P	
	5-30P	

30 AMP 125V 2-Pole 3-Wire Grounding

DESCRIPTION	CAT. NO.
Flush Mount Receptacle for Recreational Vehicles	7313
	TT-30R
Matching Angle Plug	830-T
	TT-30P ANSI STD.C73.13

†Matching single-gang wallplate: Cat. No. 84028. Matching Industrial Weather-Resistant cover: Cat. No. WP2.

All devices are UL Listed. Also CSA Certified except where indicated by★

*Matching single-gang plastic wallplate: Cat. No. 80525.



SPECIFICATIONS & FEATURES

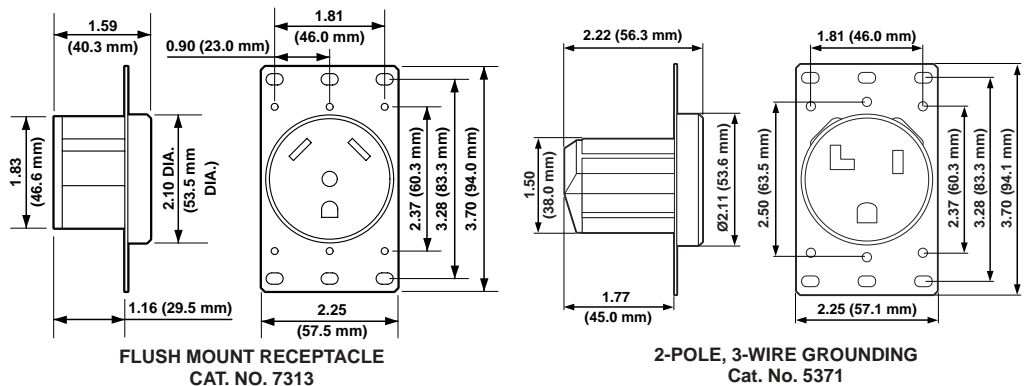
- Heavy-gauge, double-wipe copper alloy contacts
- Easy-to-wire terminals accept up to No. 4 AWG conductors
- Terminals marked for easy identification and fast wiring
- All mounting hardware included
- Flush-mount devices fit single or two-gang outlet boxes

TESTING & CODE COMPLIANCE

- UL Listed for copper or aluminum conductors—except Cat. Nos. 7250, 7313, 830-T (File #E-13399); Angle Plugs (File #E-13393)
- UL Test 498
- CSA Certified for copper or aluminum conductors (File #152105); Receptacle for Recreational Vehicles (File #2781); CSA Test 42
- NOM Certified (#057)
- Meets NEMA and ANSI standards
- Backed by a Limited 10-Year Warranty

MATERIAL CHARACTERISTICS

Environmental: Flammability, Rated V2
Operating Temperature: From -40° C (without impact) to 60°C maximum continuous



Power Devices

30 AMP 250V 2-Pole 3-Wire Grounding

DESCRIPTION	CAT. NO.	WALLPLATE INFORMATION
Flush Mount Receptacle	5372†	Fits all wallplates with 2.15" diameter center hole. See Section G for more information.
	6-30R	
Flush Mount Receptacle Isolated Ground	5372-IG	As above
Surface Mount Receptacle	5376	
Matching Angle Plug	9630-P	
	6-30P	



5372

30 AMP 277V 2-Pole 3-Wire Grounding

DESCRIPTION	CAT. NO.	WALLPLATE INFORMATION
Flush Mount Receptacle	9730-A†	Fits all wallplates with 2.15" diameter center hole. See Section G for more information.
	7-30R	
Matching Angle Plug	9730-P	
	7-30P	



5207

30 AMP 125/250V 3-Pole 3-Wire Non-Grounding

DESCRIPTION	CAT. NO.	WALLPLATE INFORMATION
Flush Mount Receptacle	5207†	Fits all wallplates with 2.15" diameter center hole. See Section G for more information.
	10-30R	
Surface Mount Receptacle	5054	
Matching Angle Plug	9332-P	
	10-30P	

†Matching single-gang stainless steel wallplate: Cat. No. 84028.
 Matching Industrial Weather-Resistant cover: Cat. No. WP2.
 Matching two-gang stainless steel wallplate: Cat. No. 84026.
 Matching two-gang nylon wallplate: Cat. No. 80728.
 All devices are UL Listed and CSA Certified.

SPECIFICATIONS & FEATURES

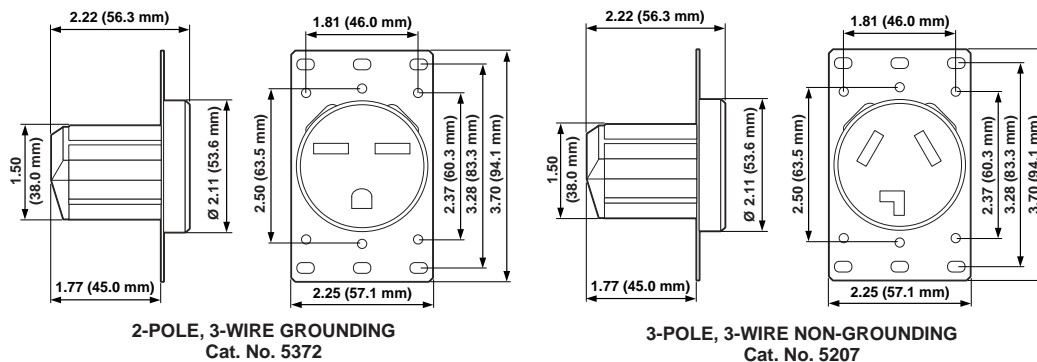
- Made of durable thermoplastic
- Heavy-gauge, double-wipe copper alloy contacts
- Easy-to-wire terminals accept up to No. 4 AWG conductors
- Terminals marked for easy identification and fast wiring
- All mounting hardware included
- Flush-mount devices fit single or two-gang outlet boxes
- Surface-mount devices are COMMERCIAL GRADE and have concentric knockouts for 3/4" and 1" conduit and adjustable cord clamp for back and bottom entrance of cable

TESTING & CODE COMPLIANCE

- UL Listed for copper or aluminum conductors (File #E-13399); Angle Plugs (File #E-13393, File #E-3810)
- UL Test 498
- CSA Certified for copper or aluminum conductors (File #152105); CSA Test 42
- NOM Certified (#057)
- Meets NEMA and ANSI standards
- Backed by a Limited 10-Year Warranty

MATERIAL CHARACTERISTICS

Environmental: Flammability, Rated V2
 Operating Temperature: From -40° C (without impact) to 75°C maximum continuous





Power Devices

30 AMP 125/250V 3-Pole 4-Wire Grounding

DESCRIPTION	CAT. NO.	WALLPLATE INFORMATION
Flush Mount Receptacle	278† 14-30R	Fits all wallplates with 2.15" diameter center hole. See Section G for more information.
Panel Mount Receptacle	278-PM	See page D9 for dimensional drawing
Surface Mount Receptacles	55054	
Matching Angle Plug	9432-P 14-30R	

30 AMP 250V 3Ø 3-Pole 4-Wire Grounding

DESCRIPTION	CAT. NO.	WALLPLATE INFORMATION
Flush Mount Receptacle	8430†† 15-30R	Fits 2-gang wallplates w/2.465" diameter center hole. See Section G for more information.
Matching Angle Plug	8432-P 15-30P	

30 AMP 120/208V 3ØY 4-Pole 4-Wire Non-Grounding

DESCRIPTION	CAT. NO.	WALLPLATE INFORMATION
Flush Mount Receptacle	8330†† 18-30R	Fits 2-gang wallplates w/2.465" diameter center hole. See Section G for more information.
Matching Angle Plug	8332-P 18-30R	

†Matching single-gang wallplate: Cat. Nos. 84026, 84028.
 ††Matching single-gang wallplate: Cat. No. S701-40
 All devices are UL Listed and CSA Certified.



SPECIFICATIONS & FEATURES

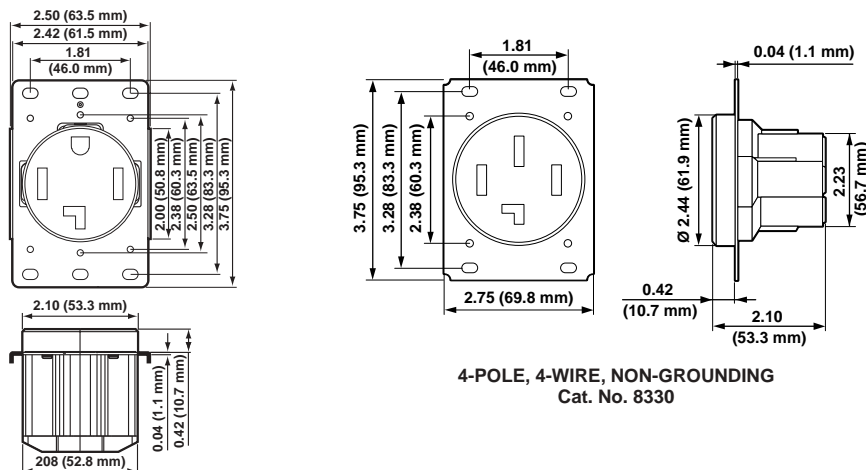
- Made of durable thermoplastic
- Heavy-gauge, double-wipe copper alloy contacts
- Easy-to-wire terminals accept up to No. 4 AWG conductors
- Terminal marked for easy identification and fast wiring
- All mounting hardware included
- Flush-mount devices fit single or two-gang outlet boxes
- Surface mount devices are COMMERCIAL GRADE and have concentric knockouts for 3/4" and 1" conduit and adjustable cord clamp and back and bottom entrance of cable

TESTING & CODE COMPLIANCE

- UL Listed for copper or aluminum conductors (File #E-13399); Angle Plugs (File #E-13393, File #E-3810)
- UL Test 498
- CSA Certified for copper or aluminum conductors (File #152105); CSA Test 42
- NOM Certified (#057)
- Meets NEMA and ANSI standards
- Backed by a Limited 10-Year Warranty

MATERIAL CHARACTERISTICS

Environmental: Flammability, Rated V2
 Operating Temperature: From -40° C (without impact) to 75° C maximum continuous



Power Devices

50 AMP 125V 2-Pole 3-Wire Grounding

DESCRIPTION	CAT. NO.	WALLPLATE INFORMATION
Flush Mount Receptacle	5373† 5-50R	Fits all wallplates with 2.15" diameter center hole. See Section G for more information.
Matching Angle Plug	9550-P 5-50P	



50 AMP 250V 2-Pole 3-Wire Grounding

DESCRIPTION	CAT. NO.	WALLPLATE INFORMATION
Flush Mount Receptacle	5374† 6-50R	Fits all wallplates with 2.15" diameter center hole. See Section G for more information.
Flush Mount Receptacle Isolated Ground	5374-IG	As above
Surface Mount Receptacle	5378	
Matching Angle Plug	9650-P 6-50P	



50 AMP 277V 2-Pole 3-Wire Grounding

DESCRIPTION	CAT. NO.	WALLPLATE INFORMATION
Flush Mount Receptacle	9750-A† 7-50R	Fits all wallplates with 2.15" diameter center hole. See Section G for more information.
Matching Angle Plug	9750-P 7-50P	

†Matching single-gang wallplate: Cat. No. 84028. Matching Industrial Weather-Resistant cover: Cat. No. WP2. All devices are UL Listed and CSA Certified.

SPECIFICATIONS & FEATURES

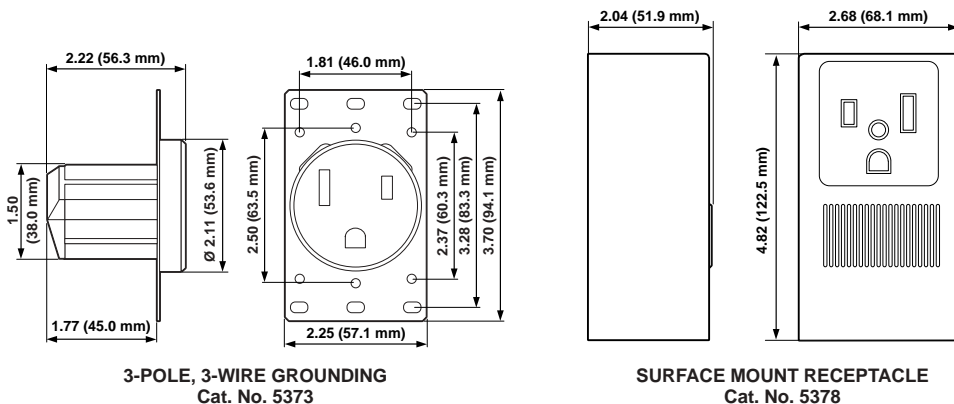
- Made of durable thermoplastic
- Heavy-gauge, double-wipe copper alloy contacts
- Easy-to-wire terminals accept up to No. 4 AWG conductors
- Terminal marked for easy identification and fast wiring
- All mounting hardware included
- Flush-mount devices fit single or two-gang outlet boxes
- Surface-mount devices are COMMERCIAL GRADE and have concentric knockouts for 3/4" and 1" conduit and adjustable cord clamp and back and bottom entrance of cable

TESTING & CODE COMPLIANCE

- UL Listed for copper or aluminum conductors (File #E-13399); Angle Plugs (File #E-13393, File #E-3810)
- UL Test 498
- CSA Certified for copper or aluminum conductors (File #152105); CSA Test 42
- NOM Certified (#057)
- Meets NEMA and ANSI standards
- Backed by a Limited 10-Year Warranty

MATERIAL CHARACTERISTICS

Environmental: Flammability, Rated V2
Operating Temperature: From -40° C (without impact) to 75° C maximum continuous





5206



279-PM

SPECIFICATIONS & FEATURES

- Made of durable thermoplastic
- Heavy-gauge, double-wipe copper alloy contacts
- Easy-to-wire terminals accept up to No. 4 AWG conductors
- Terminal marked for easy identification and fast wiring
- All mounting hardware included
- Flush-mount devices fit single or two-gang outlet boxes
- Surface-mount devices are COMMERCIAL GRADE and have concentric knockouts for 3/4" and 1" conduit and adjustable cord clamp and back and bottom entrance of cable

TESTING & CODE COMPLIANCE

- UL Listed for copper or aluminum conductors (File #E-13399); Angle Plugs (File #E-13393, File #E-3810)
- UL Test 498
- CSA Certified for copper or aluminum conductors (File #152105); CSA Test 42
- NOM Certified (#057)
- Meets NEMA and ANSI standards
- Backed by a Limited 10-Year Warranty

MATERIAL CHARACTERISTICS

Environmental: Flammability, Rated V2
 Operating Temperature: From -40° C (without impact) to 75° C maximum continuous

Power Devices

50 AMP 125/250V 3-Pole 3-Wire Non-Grounding

DESCRIPTION	CAT. NO.	WALLPLATE INFORMATION
Flush Mount Receptacle	5206† 10-50R	Fits all wallplates with 2.15" diameter center hole. See Section G for more information.
Surface Mount Receptacle	5050	
Matching Angle Plug	9450-P 10-50P	

50 AMP 125/250V 3-Pole 4-Wire Grounding

DESCRIPTION	CAT. NO.	WALLPLATE INFORMATION
Flush Mount Receptacle	279† 14-50R	Fits all wallplates with 2.15" diameter center hole. See Section G for more information. See page D7 for dimensional drawing
Panel Mount Receptacle	279-PM	
Surface Mount Receptacle	55050	
Matching Angle Plug	9452-P 14-50P	

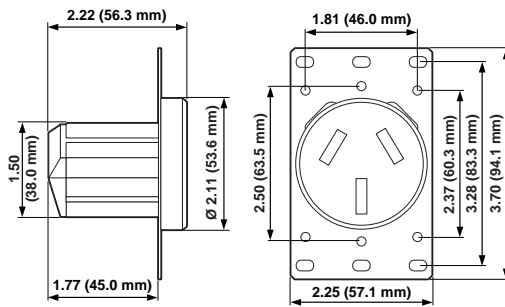
50 AMP 250V 3Ø 3-Pole 4-Wire Grounding

DESCRIPTION	CAT. NO.	WALLPLATE INFORMATION
Flush Mount Receptacle	8450†† 15-50R	Fits wallplates with 2.465" diameter center hole. See Section G for more information.
Flush Mount Receptacle Isolated Ground	8450-IG	As above
Matching Angle Plug	8452-P 15-50P	

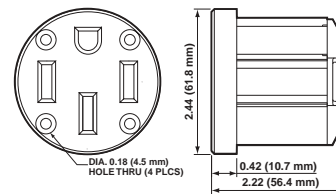
†Matching single-gang wallplate: Cat. Nos. 84206, 84028. Matching Industrial Weather-Resistant cover: Cat. No. WP2.

††Matching single-gang wallplate: Cat. No. S701-40

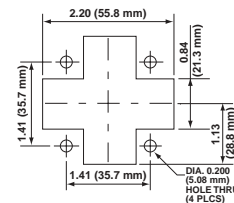
All devices are UL Listed and CSA Certified.



3-POLE, 3-WIRE NON-GROUNDING
 Cat. No. 5206



3-POLE, 4-WIRE GROUNDING
 Cat. No. 279-PM (shown)
 Cat. No. 278-PM (same as 279, except for NEMA configuration)



RECOMMENDED PANEL CUTOUT

Power Devices

50 AMP 120/208V 3ØY 4-Pole 4-Wire Non-Grounding

DESCRIPTION	CAT.NO.	WALLPLATE INFORMATION
Flush Mount Receptacle★	8350† 18-50R	Fits wallplates with 2.465" diameter center hole.
Matching Angle Plug★	8352-P 18-50P	

60 AMP 125/250V 3-Pole 4-Wire Grounding

DESCRIPTION	CAT.NO.	WALLPLATE INFORMATION
Flush Mount Receptacle	9460† 14-60R	Fits wallplates with 2.465" diameter hole.
Flush Mount Receptacle Isolated Ground	9460-IG	As above
Matching Angle Plug	9462-P 14-60P	

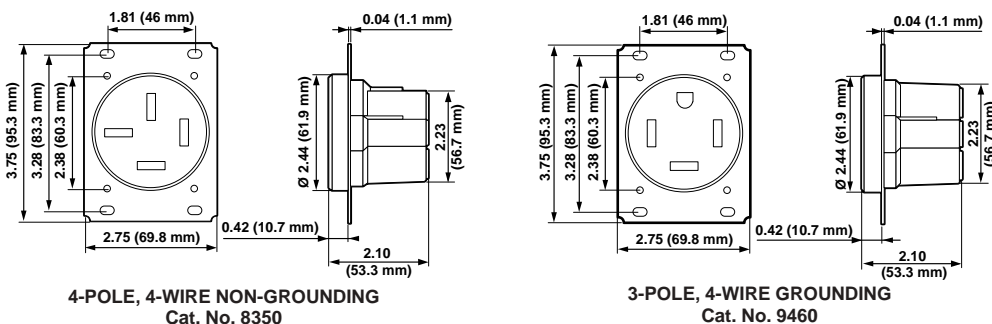
60 AMP 250V 3Ø 3-Pole 4-Wire Grounding

DESCRIPTION	CAT. NO.	WALLPLATE INFORMATION
Flush Mount Receptacle	8460† 15-60R	Fits wallplates with 2.465" diameter hole.
Matching Angle Plug	8462-P 15-60P	

60 AMP 120/208V 3ØY 4-Pole 4-Wire Non-Grounding

DESCRIPTION	CAT. NO.	WALLPLATE INFORMATION
Flush Mount Receptacle★	8360† 18-60R	Fits wallplates with 2.465" diameter hole.
Matching Angle Plug★	8362-P 18-60P	

†Matching single-gang wallplate: Cat. No. S701-40
All devices are UL Listed. Also CSA Certified except where indicated by★



SPECIFICATIONS & FEATURES

- Made of durable thermoplastic
- Heavy-gauge, double-wipe copper alloy contacts
- Easy-to-wire terminals accept up to No. 4 AWG conductors
- Terminal marked for easy identification and fast wiring
- All mounting hardware included
- Flush-mount devices fit single or two-gang outlet boxes
- Surface-mount devices are COMMERCIAL GRADE and have concentric knockouts for 3/4" and 1" conduit and adjustable cord clamp and back and bottom entrance of cable

TESTING & CODE COMPLIANCE

- UL Listed for copper or aluminum conductors (File #E-13399); Angle Plugs (File #E-13393, File #E-3810)
- UL Test 498
- CSA Certified for copper or aluminum conductors (File #152105); CSA Test 42
- NOM Certified (#057)
- Meets NEMA and ANSI standards
- Backed by a Limited 10-Year Warranty

MATERIAL CHARACTERISTICS

Environmental: Flammability, Rated V2
Operating Temperature: From -40° C (without impact) to 75°C maximum continuous

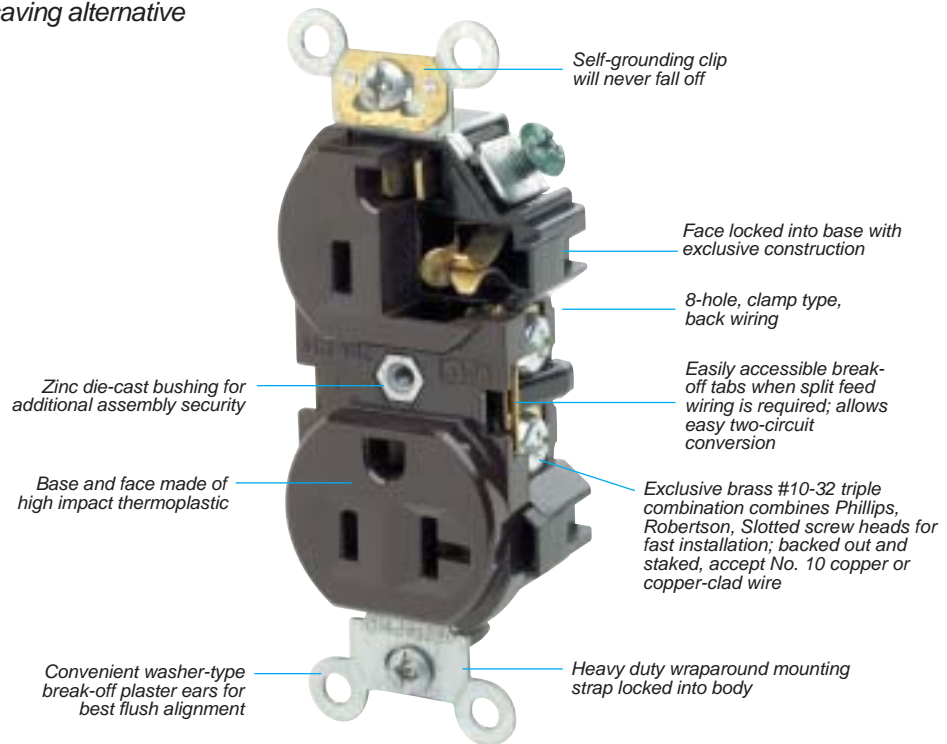
Commercial Grade Straight Blade Receptacles



Leviton's Commercial Receptacles are manufactured to withstand the demands of commercial and institutional applications. These commercial receptacles provide long-lasting service life and are a cost-saving alternative to the industrial devices.

Features and Benefits

- Cost-efficient alternative to industrial receptacles
- Manufactured to withstand the demands of commercial and institutional applications
- Power contacts available in triple and double wipe for maximum conductivity and plug retention
- Shallow design for maximum wiring room in box
- UL Listed 498 (UL File #E-13399)
- CSA Certified where applicable (CSA File #LR-406)
- NOM Certified (#057)
- Meets NEMA WD-1 & 6, and ANSI standards
- Backed by a Limited 10-Year Warranty
- All commercial side-wired receptacles have #8-32 triple combination head terminal screws
- All commercial back and side-wired receptacles have #10-32 triple combination head terminal screws



Cat No. BR20

Back-wiring clamps accept up to No. 10 solid or stranded copper wire

Exclusive V-shaped, serrated back-wiring clamps for superior contact and conductivity

Commercial Receptacles with Industry-Leading Features

Back and Side Wired



Constructed of high impact resistant thermoplastic, power contacts are triple wipe for good conductivity.

Cat. No. BR15-I

Dual Voltage



Available with back and side-wired options, it can operate at either 125 or 250V volts.

Cat. No. 5844

Side Wired



Smooth face, self-grounding clip, easily accessible break-off tabs for split-circuit wiring.

Cat. No. CRO15

Single Side Wired



Triple wipe for maximum conductivity.

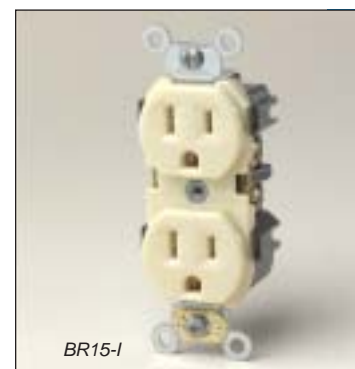
Cat. No. 5015-W

Commercial Grade

Straight Blade Receptacles

*Back and Side Wired 15 AMP 125V & 250V
20 AMP 125V & 250V Grounding (Basic Cat. No. Denotes Brown Device*)*

DESCRIPTION	CAT. NO./COLOR 15A/125V	CAT. NO./COLOR 15A/250V	CAT. NO./COLOR 20A/125V	CAT. NO./COLOR 20A/250V
	5-15R	6-15R	5-20R	6-20R
Duplex Receptacle	BR15 I, W, GY, E, A	5098 I	BR20 I, W, GY, E, A	5824 I
Slim Duplex Receptacle	BR15-S I, W, GY, E, A	—	BR20-S I, W, GY, E, A	—
Single Receptacle	5088 I, A	5089 I	5891 W	5823 I



*Dual Voltage Back and Side Wired
20 AMP 125V & 20 AMP 250V Grounding (Basic Cat. No. Denotes Brown Device*)*

DESCRIPTION	CAT. NO. 20A/125V	CAT. NO. 20A/250V	COLOR* <small>Basic Cat. No. Denotes Brown</small>
	5-20R	6-20R	
Duplex Receptacle, Dual Voltage*	5844	5844	I



Dual Voltage Side Wired 15 AMP 125V & 15 AMP 250V Grounding

DESCRIPTION	CAT. NO. 15A/125V	CAT. NO. 15A/250V	COLOR* <small>Basic Cat. No. Denotes Brown</small>
	5-15R	6-15R	
Duplex, Grounding, Dual Voltage (Triple Wipe)	5031	5031	I, W

Dual Voltage Side Wired 20 AMP 125V & 20 AMP 250V Grounding

DESCRIPTION	CAT. NO. 20A/125V	CAT. NO. 20A/250V	COLOR* <small>Basic Cat. No. Denotes Brown</small>
	5-20R	6-20R	
Duplex Receptacle, Dual Voltage (Triple Wipe)	5842	5842	I

All devices are UL Listed. Also CSA Certified except where indicated by★

SPECIFICATIONS & FEATURES

- Large-head, triple-drive terminal screws, backed out and staked, accept No. 10 copper or copper-clad wire
- Back-wiring clamps accept up to No. 10 copper or copper-clad wire
- All power contacts are triple wipe for maximum conductivity and plug retention
- Heavy-gauge, rust-resistant steel mounting strap
- Shallow design for maximum wiring room in box
- Convenient washer-type break-off plaster ears for best flush alignment
- Captive mounting screws for fast installation
- Break-off tabs on duplex receptacles for easy two-circuit conversion

TESTING & CODE COMPLIANCE

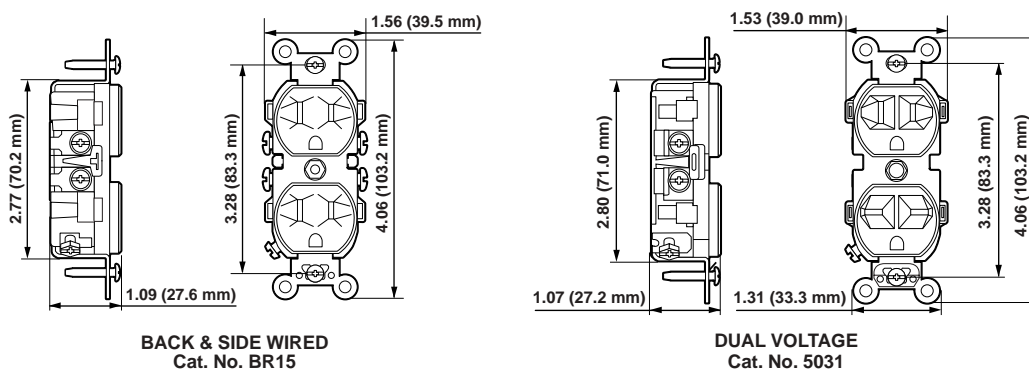
- UL Listed 498
- CSA Certified where applicable (File #LR-406)
- NOM Certified (#057)
- Meets or exceeds NEMA WD-1, & 6, and ANSI standards
- Backed by a Limited 10-Year Warranty

*COLOR

Basic Cat. Nos. shown above denote Brown color. For other color selections, add the suffix to catalog number as follows: Ivory (-I), White (-W), Black (-E), Almond (-A), Gray (-GY).

MATERIAL CHARACTERISTICS

Environmental: Flammability, Rated V2
Operating Temperature: From -40° C (without impact) to 60° C maximum continuous





Straight Blade Receptacles

Side Wired 15 AMP 125 and 250V
20 AMP 125 and 250V (Basic Cat. No. Denotes Brown Device*)

DESCRIPTION	CAT. NO./COLOR 15A/125V	CAT. NO./COLOR 15A/250V	CAT. NO./COLOR 20A/125V	CAT. NO./COLOR 20A/250V
	5-15R	6-15R	5-20R	6-20R
Duplex Receptacle	CR15 I, W, GY, E, A	5028* I	CR20 I, W, GY, E, A	5822* I, W
Duplex Receptacle	CR15-C*	—	—	—
Duplex Receptacle, Smooth Face	CRO15 I, W, GY	—	CRO20 I, W, GY	—
Single Display Receptacle, Brass Plate, Brass Finish	5250 Brass	—	—	—
Duplex Receptacle, on 4" Cover★	5042 Zinc plated steel	—	—	—
Single Receptacle	5015 I, W, A	5029 I	5801 I, W, A	5821 I, W, A
Single Receptacle on 4" Cover	5059 Zinc plated steel	—	—	—
Duplex Receptacle with Pigtail Leads★	5040 I, (No Brown)	—	5340 I	—
Floorbox assembly w/Solid Brass Floorplate	5249-FBA Brass	—	5349-FBA Brass	—
Floorbox Plug	5249-CAP Brass	—	—	—
Single Receptacle, Short Strap, 8-32 Tapped Mounting Holes on 1 3/4" Centers	5258-SS E Only	5658-SS E Only	—	5458-SS E Only
Single Receptacle, Short Strap, 8-32 Tapped Mounting Holes on 1 15/16" Centers	5284-SS E Only	—	—	—
Duplex Receptacle, Less Plaster Ears	—	—	5800-4 I	—
Tamper Resistant Duplex Receptacle	CR15S-G I, W (No Brown)	—	—	—

*Canadian version
All devices are UL Listed. Also CSA Certified except where indicated by★



SPECIFICATIONS & FEATURES

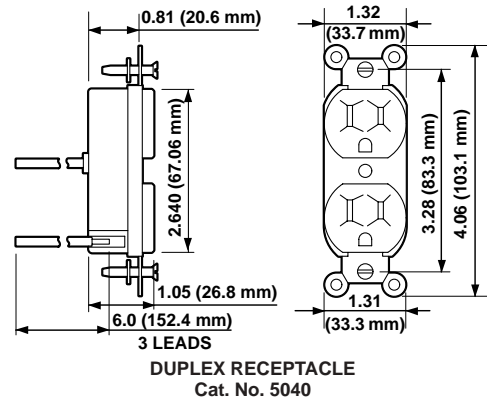
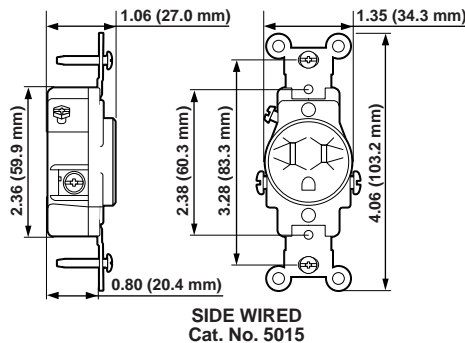
- Large-head terminal screws, backed out and staked, accept No. 10 copper or copper-clad wire
- All power contacts are triple wipe for maximum conductivity and plug retention — except CR series
- Heavy-gauge, rust-resistant steel mounting strap
- Shallow design for maximum wiring room in box
- Convenient washer-type break-off plaster ears for best flush alignment
- Captive mounting screws for fast installation where applicable
- 5249-FBA, 5349-FBA & 5250
 - Complies with NEC 370-27(b)
 - All-in-one, ready-to-wire unit provides quick, easy installation
 - Plate gasket and O-ring combine to seal out moisture and contaminants (5249-FBA)
 - Thick brass plate and screw cap resist abuse and prevent contaminant from entering device
 - Durable nylon face and body resist breakage
 - Brass screw cap threaded to fit flush to plate
 - Green grounding screw

TESTING & CODE COMPLIANCE

- UL Listed 498 (File #E-13399)
- CSA Certified where applicable (File #LR-406)
- NOM Certified (#057)
- Meets or exceeds NEMA WD-1, and -6, and ANSI standards
- Backed by a Limited 10-Year Warranty
- 5249-FBA & 5250
 - Meets UL #498 requirements
 - CSA Certified (#42)

*COLOR

Basic Cat. Nos. shown above denote Brown color device. For other color selections, add suffix to the catalog number as follows: Ivory (-I), White (-W), Almond (-A), Gray (-GY) and Black (-E).



MATERIAL CHARACTERISTICS

Environmental: Flammability, Rated V2
Operating Temperature: From -40° C (without impact) to 60°C maximum continuous

Straight Blade Receptacles

QuickPort® Snap-In Jacks and Modules with Brass Floorplate

DESCRIPTION	CAT. NO.	COLOR
Floor Jack Housing with Brass Plate and 6-Conductor Jack	41650-6	Brass
Floor Jack Housing with Brass Plate and Coaxial F-Connector	41650-F	Brass
Duplex Floor Jack Housing with Brass Plate and Two 6-Conductor Jacks	41652-6	Brass
Duplex Floor Jack Housing with Brass Plate, 6-Conductor Jack and Coaxial F-Connector	41652-6F	Brass
Duplex Floor Jack Housing only; 1 Blank Filter Provided	41652-000	Brass



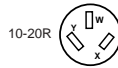
Back and Side Wired 15 AMP 277V AC Grounding

DESCRIPTION	CAT. NO.	COLOR*
Duplex Receptacle (Double Wipe)	5585	Brown Only

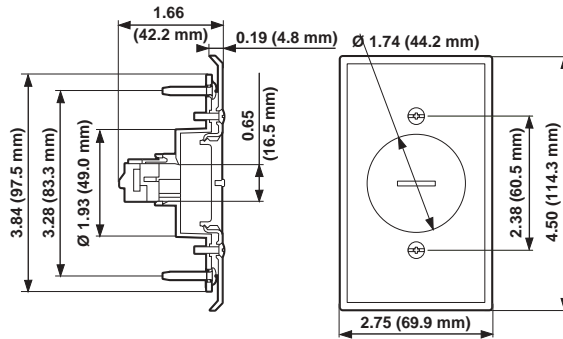


Side Wired 20 AMP 125/250V Non-Grounding

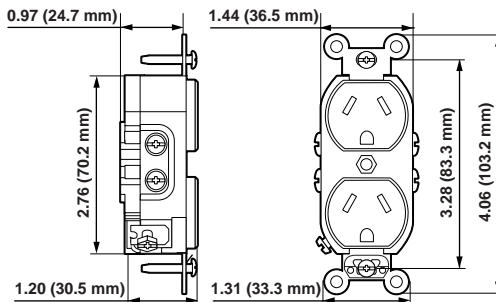
DESCRIPTION	CAT. NO.	COLOR*
Single Receptacle (Double Wipe)★ (9151-N matching plug on page H4)	5032	I



All devices are UL Listed. Also CSA Certified except where indicated by★



FLOORPLATE QUICKPORT® SNAP-IN JACKS & MODULES
Cat. No. 41652-6F



BACK & SIDE WIRED
Cat. No. 5585

SPECIFICATIONS & FEATURES

- Terminal screws, backed out and staked, accept No. 10 copper or copper-clad wire
- Power contacts are double wipe for maximum conductivity and plug retention
- Heavy gauge, rust-resistant steel mounting strap
- Shallow design for maximum wiring room in box
- Convenient washer-type break-off plaster ears for best flush alignment
- Captive mounting screws for fast installation

TESTING & CODE COMPLIANCE

- UL Listed 498
- CSA Certified where applicable (File #LR-406)
- NOM Certified (#057)
- Meets or exceeds NEMA WD-1 and -6, and ANSI standards
- Backed by a Limited 10-Year Warranty

*COLOR

Basic Cat. Nos. shown above denote Brown color. For other color selections, add the suffix to catalog number as follows: Ivory (-I), Black (-E).

MATERIAL CHARACTERISTICS

Environmental: Flammability, Rated V2
Operating Temperature: From -40° C (without impact) to 60° C maximum continuous

Residential Grade Straight Blade Receptacles



8-Hole Quickwire Push-In 15 AMP 125V Grounding

DESCRIPTION	CAT. NO.	COLOR* <small>Basic Cat. No. Denotes Brown</small>
Duplex Receptacle, CONTRACTOR PACK (10 BULK)	5248-CP	I, W
	5-15R	
Duplex Receptacle, Less Plaster Ears (200 BULK)	5248-4	I, W

Quickwire Push-In and Side Wired 15 AMP 125V Grounding

DESCRIPTION	CAT. NO.	COLOR* <small>Basic Cat. No. Denotes Brown</small>
Duplex Receptacle, All Screws Backed Out, CONTRACTOR PACK (10 BULK)	5320-CP	I, W, A
Duplex Receptacle, Self-Grounding	5320-S	I, W, A
Duplex Receptacle, Less Plaster Ears★, All Screws Backed Out	5320-4	I, W

Side Wired 15 AMP 125V Grounding

DESCRIPTION	CAT. NO.	COLOR* <small>Basic Cat. No. Denotes Brown</small>
Duplex Receptacle, on 4" Cover★	1228	Brown Only

CONTRACTOR PACK is a box of 10 bulk-packed devices (no individual packaging) for speedy on-the-job installation.



Side Wired CO/ALR 15 AMP 125V Grounding

DESCRIPTION	CAT. NO.	COLOR* <small>No Brown</small>
Duplex Receptacle	12650	I, W
	5-15R	

Note: UL Listed for direct connection to No. 12 or No. 10 aluminum conductors.
All devices are UL Listed. Also CSA Certified except where indicated by★

SPECIFICATIONS & FEATURES

- Terminal screws accept up to No. 12 copper or copper-clad wire
- Quickwire push-in terminals accept No. 14 solid copper wire only
- Double-wipe power contacts for maximum conductivity and plug retention
- Heavy-gauge, rust-resistant steel mounting strap
- Shallow design for maximum wiring room
- Break-off plaster ears for best flush alignment
- Captive mounting screws
- Break-off tabs allow easy two-circuit conversion

TESTING & CODE COMPLIANCE

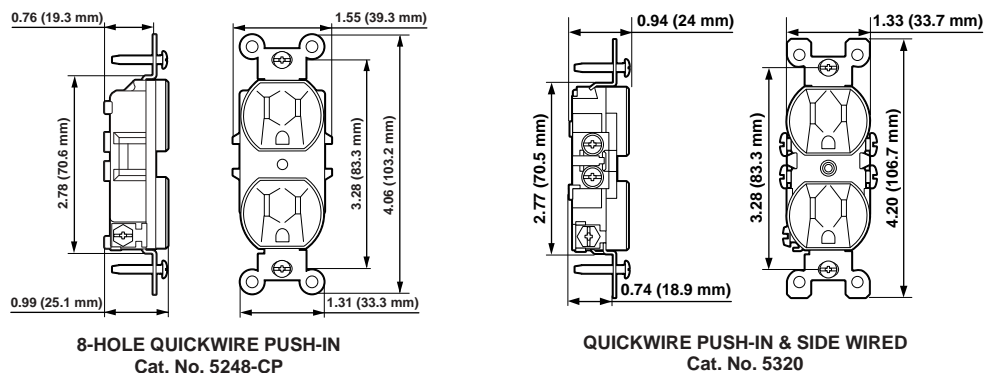
- UL Listed 498
- CSA Certified where applicable (File #LR-406)
- NOM Certified (#057)
- Meets or exceeds NEMA standards
- Backed by a Limited Two Year Warranty
- CO/ALR UL Listed 1561

*COLOR

Basic Cat. Nos. shown above denote Brown color. For other color selections, add the suffix to catalog number as follows: Ivory (-I), White (-W), Almond (-A).

MATERIAL CHARACTERISTICS

Environmental: Flammability, Rated V2
Operating Temperature: From -40° C (without impact) to 60°C maximum continuous



Residential Grade



Straight Blade Receptacles

Side Wired 15 AMP/125V Non-Grounding

DESCRIPTION	CAT. NO.	COLOR*
Duplex Receptacle, ★ Plaster Ears	223	I, W
Duplex Receptacle, ★ Less Plaster Ears	222	I
	1-15R	
Duplex Receptacle T-SLOT, ★ not UL Listed; for replacement use only	5000	I



Snap-In Devices 15 AMP/125V

DESCRIPTION	CAT. NO.	PANEL THICKNESS (inches)	PANEL OPENING (inches)	COLOR*
2-Wire Polarized Outlet. Leads No. 14 AWG, 105°C Plastic, 6" Long, Stripped 1/2"	1306	.028 – .060	.97 x .52	E, W
	1-15R			
2-Wire Polarized Outlet. Back Strap Mounting. Leads No. 14 AWG, 105°C Plastic, 6" Long, Stripped 1/2"	306	.015 – .093	.97 x .52	E, W
	1-15R			
3-Wire Grounding Outlet. Leads No. 14 AWG, 105°C Plastic, 6" Long, Stripped 1/2". Grounding Wire No. 16 AWG	1374	.031 – .080*	.95 x .95	E, W
	5-15R			
3-Wire Grounding Power Plug. Leads No. 14 AWG, 105°C Plastic, 6" Long, Stripped 1/2". Grounding Wire No. 16 AWG	1373	.031 – .080	.95 x .95	E
	5-15P			



*Other panel thicknesses available.

Side Wired Clock Hanger 15 AMP/125V Grounding

DESCRIPTION	CAT. NO.	COLOR*
Flush Mount with Square Recess	688	I, W
	5-15R	

All devices are UL Listed. Also CSA Certified except where indicated by ★

SPECIFICATIONS & FEATURES

- 223-I & 5000**
- Terminal screws accept up to No. 12 copper or copper-clad wire for side wiring
 - Double-wipe power contacts for maximum conductivity and plug retention
 - Heavy-gauge, rust-resistant steel mounting strap
 - Shallow design for maximum wiring room
 - Break-off plaster ears for best flush alignment
 - Captive mounting screws
 - Break-off tabs allow easy two-circuit conversion
- 1306**
- All 1306 product come with dual exiting capabilities
 - 1306 with 3 wire (with ground) configurations available upon request

TESTING & CODE COMPLIANCE

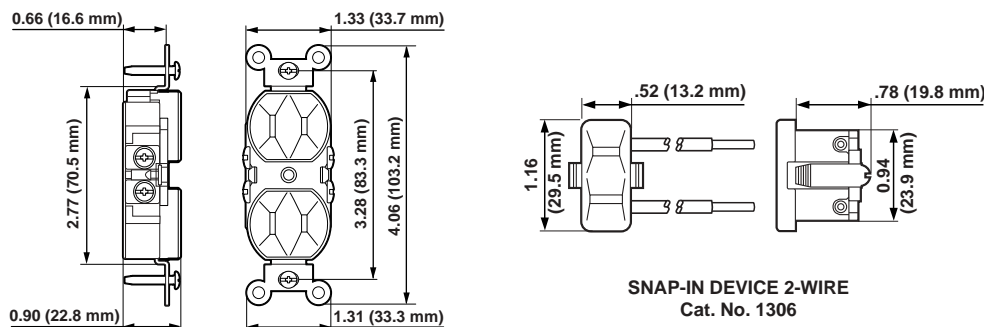
- UL Listed 498
- CSA Certified where applicable (File #LR-406)
- NOM Certified (#057)
- Meets or exceeds NEMA standards
- Backed by a Limited Two-Year Warranty

*COLOR


Basic Cat. Nos. shown above denote Brown color. For other color selections, add the suffix to catalog number as follows: Ivory (-I), White (-W), Black (-E).

MATERIAL CHARACTERISTICS

Environmental: Flammability, Rated V2
 Operating Temperature: From -40° C (without impact) to 60° C maximum continuous
Snap-In Devices
 Environmental: Flammability, Rated V2
 Operating Temperature: From -40° C (without impact) to 65° C maximum continuous



SIDE-WIRED, NON-GROUNDING
Cat. No. 223



“Leviton’s combination devices offer the efficiency of two functions in one device in a space that’s designed for just one. That’s convenience! For me and my customers. But what I like most is that they’re tough and dependable. They have double-wipe contacts for maximum conductivity, so they won’t let you down.”

Contractor