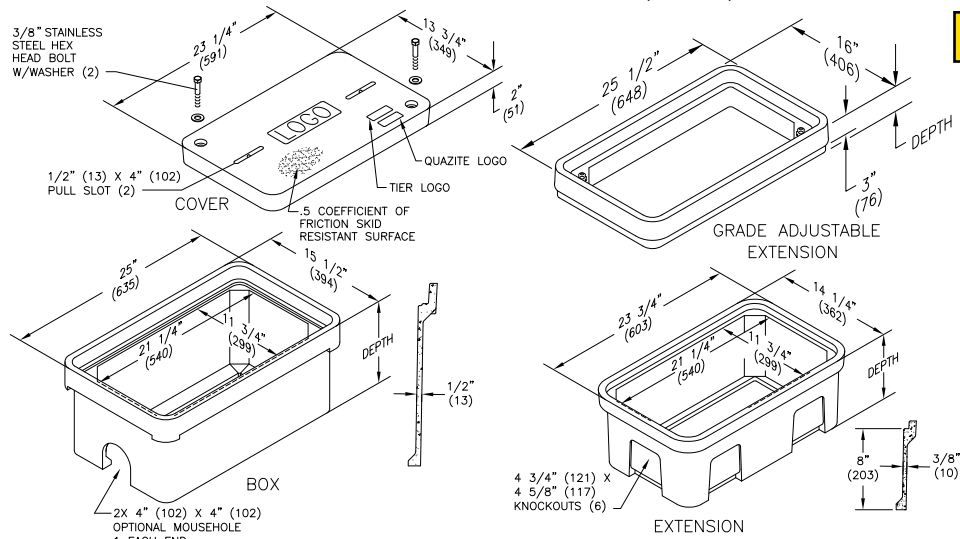


# Dimensions / Data

## 13" x 24" PG Style Polymer Concrete (Stackable) Assembly

Hex Head Bolts are Standard



### Covers

	DESCRIPTION	TIER	DESIGN / TEST LOAD #	WEIGHT #	PALLET QTY	PART NO.
UL	W/ 2 Bolts	8	8,000 / 12,000	33	30	PG1324CA00**
UL	W/ 2 Bolts	15	15,000 / 22,500	51	30	PG1324HA00**
UL	W/ 2 Bolts	22	22,500 / 33,750	54	30	PG1324HH00**
UL	No Bolts	8	8,000 / 12,000	33	30	PG1324WA00**

To order gasketed covers, replace the letter "A" with the letter "G".

Replace \*\* with a logo code found on page 18.

NOTE: Gasketed covers and bolt grommets must be used with a gasketed box. Gaskets reduce the inflow of fluids but do not make the enclosure water tight.

### Boxes

	DESCRIPTION	DEPTH	TIER	DESIGN / TEST LOAD #	WEIGHT #	PALLET QTY	PART NO.
UL	Standard Open Bottom	12"	22	22,500 / 33,700	53	20	PG1324BA12
UL		18"		22,500 / 33,700	72	16	PG1324BA18
UL		24"		22,500 / 33,700	91	12	PG1324BA24
UL	Solid Bottom	12 1/2"	22	22,500 / 33,700	63	20	PG1324DA12
UL		18 1/2"		22,500 / 33,700	85	16	PG1324DA18
UL		24 1/2"		22,500 / 33,700	107	12	PG1324DA24

To order boxes with 2 standard mouseholes, replace the letter "A" with the letter "B".

To order gasketed boxes, replace the letter "A" with the letter "G".

### Extensions (for use under box only, one per box)

	DESCRIPTION	DEPTH	TIER	DESIGN / TEST LOAD #	WEIGHT #	PALLET QTY	PART NO.
	8" - Open Bottom	8 3/4"	22	22,500 / 33,750	25	24	PG1324EA08
	8" - Solid Bottom	9 1/4"	22	22,500 / 33,750	35	24	PG1324RA08

### Grade Adjustable Extension (for use on top of box only, one per box)

	DESCRIPTION	DEPTH	TIER	DESIGN / TEST LOAD #	WEIGHT #	PALLET QTY	PART NO.
	3" Top Extension	5 1/8"	22	22,500 / 33,750	37	24	PG1324ED03

ENCLOSURE DRAWINGS