

DESCRIPTION

Recessed 6-inch LED wall washer is available in various lumen and CRI/CCT options. Suitable for commercial construction and can be used for both new or renovation work. Insulation must be kept 3" from top and sides of housing. Cutout type kicker reflector reduces scallops and provides vertical illumination.

Catalog #		Type
Project		
Comments		Date
Prepared by		

SPECIFICATION FEATURES

MECHANICAL

Frame

Boat shaped galvanized steel frame with adjustable plaster lip accommodates ceilings up to 1/2" - 2" thick. May be used for new construction or remodeling installations. Provided with (2) remodel clips to secure frame when installed from below the ceiling.

Mounting Brackets

Bar hanger receivers adjust 2" vertically from above the ceiling or thru the aperture. Use with No Fuss™ bar hangers or with 1/2" EMT. Removable to facilitate installation from below the ceiling.

No Fuss™ Bar Hangers

Captive preinstalled bar hanger locks to tee grid with a screwdriver or pliers. Centering mechanism allows consistent positioning of fixtures.

OPTICAL

LED Module

Proximity phosphors over chip on board LEDs provide a uniform source with high efficiency and no pixilation. Available in 80 or 90 CRI minimum, accuracy within 3 SDCM provides color uniformity. See ordering information for available CRI / CCT options. Passive thermal management achieves L70 at 50,000 hours in non IC applications. Integral diffuse lens provides visual shielding. Integral connector allows quick connection to housing flex.

Reflector

One piece parabolic aluminum reflector combines high optical efficiency with visual comfort. Attaches to LED module with (3) speed clamps minimizing light leaks to lens. Self-flanged standard with an optional white painted flange.

Trim Retention

Reflectors are retained with two torsion springs holding the flange tightly to the finished ceiling surface.

ELECTRICAL

Junction Box

(6) 1/2" and (2) 3/4" trade size pry outs positioned to allow straight conduit runs. Listed for (12) #12 AWG (six in, six out) 90°C conductors and feed thru branch wiring.

Driver

Integral UNV 120 - 277V 50/60 Hz constant current driver provides noise free operation. For 347V input use Halo transformer H347 or H347200. Continuous, flicker-free dimming from 100% to 10% with leading or trailing edge phase cut at 120V or 0 -10V analog control.

Emergency Option

Provides 90 minutes of standby lighting meeting most life safety codes for egress lighting. Available with remote charge indicator and test switch.

Compliance

- cULus listed for wet location
- Insulation must be kept 3" from top and sides.
- Airtight per ASTM-E283
- Optional City of Chicago environmental air (CCEA) marking for plenum applications.
- EMI/RFI emissions per FCC 47CFR Part 18 non-consumer limits.
- Contains no mercury or lead and RoHS compliant.
- Photometric testing in accordance with IES LM-79-08.
- Lumen maintenance projections in accordance with IES LM-80-08 and TM-21-11.
- Can be used to comply with California Title 24 Non-Residential Lighting Controls requirements as a LED Luminaire.
- ENERGY STAR® listed for commercial applications, reference database for current listings.



PD610
PD615
PD620
PD630

PDM6A

61WW

1000, 1500,
2000 & 3000
Lumen Series

LED
6-Inch Aperture
Wall Washer

THD: ≤ 20%
PF: ≥ 0.90
T Ambient -30 - +40°C
Sound Rating ≤ 22dba

Lumens	1000 Series	
Input Voltage	120V	277V
Input Current	.103 A	.058 A
Input Power	12.1 W	13.2 W
Efficiency	88 LPW	88 LPW
Inrush Current	0.37 A	0.77 A

Lumens	1500 Series	
Input Voltage	120V	277V
Input Current	.146 A	0.072 A
Input Power	17.1 W	17.9 W
Efficiency	87 LPW	87 LPW
Inrush Current	0.47 A	1.04 A

Lumens	2000 Series	
Input Voltage	120V	277V
Input Current	.175 A	0.086 A
Input Power	20.78 W	21.06 W
Efficiency	89 LPW	89 LPW
Inrush Current	0.54 A	1.21 A

Lumens	3000 Series	
Input Voltage	120V	277V
Input Current	.299 A	.145 A
Input Power	35.72 W	36.4 W
Efficiency	82 LPW	82 LPW
Inrush Current	0.85 A	2.0 A

ORDERING INFORMATION

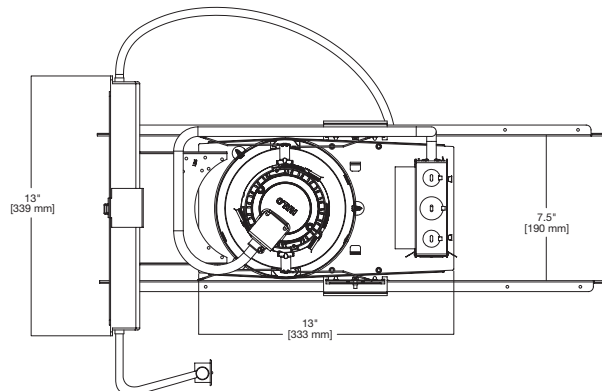
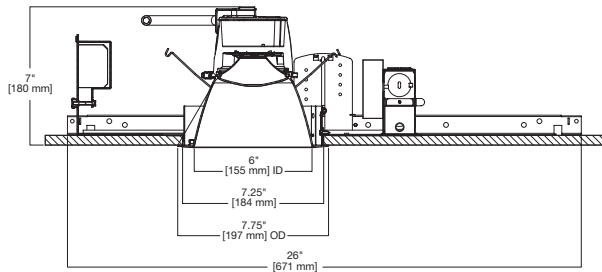
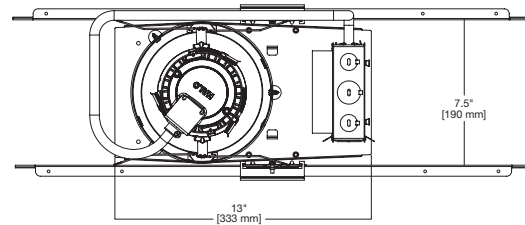
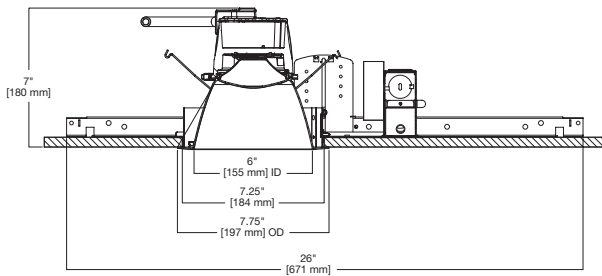
SAMPLE NUMBER: PD610ED010REM-PDM6A827-61WWC

A complete luminaire consists of a housing, LED module and reflector, order separately.

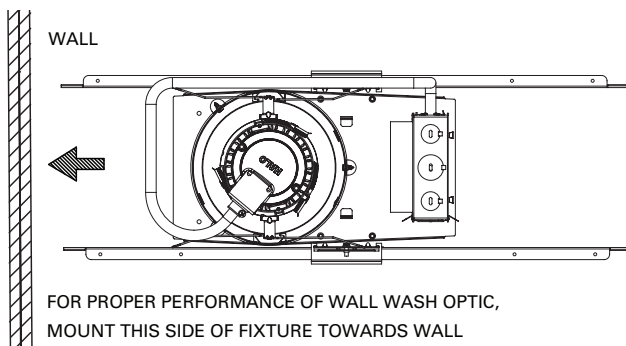
Housing	Lumens	Driver	Options	LED Module	CRI/CCT
PD6 = 6" aperture LED downlight PD6CP = 6" aperture LED downlight, CCEA listed for City of Chicago plenum requirements	10 = 1,000 lumens (nominal) 15 = 1,500 lumens (nominal) 20 = 2,000 lumens (nominal)	ED010 = 120-277V 50/60Hz, 0-10V and LE/TE phase cut dimming	REM = Emergency operation with remote indicator and test switch (not available with PD6CP housing)	PDM6A = Downlight LED module for PD6 housing, provides 1,000, 1,500, 2,000, or 3,000 lumens (nominal) depending on connected housing type	827 = 80 CRI, 2700K CCT 927 = 90 CRI, 2700K CCT 830 = 80 CRI, 3000K CCT 930 = 90 CRI, 3000K CCT 835 = 80 CRI, 3500K CCT 935 = 90 CRI, 3500K CCT 840 = 80 CRI, 4000K CCT 940 = 90 CRI, 4000K CCT
	30 = 3,000 lumens (nominal)	D010 = 120-277V 50/60Hz, 0-10V dimming (3,000 lumen only)			

Reflector	Finish Option	Flange Option	Accessories
61WW = 6" single wall wash	C = Specular clear G = Specular gold H = Semi-specular clear W = White (white flange)	Blank = Polished flange standard with C, G, & H reflector finishes Blank = White flange standard with W WF = White flange option available with C, G, & H reflector finishes	HB128APK = L channel hanger bar, 26", 'No-Fuss', pair (replacement) RMB22 = 22" long wood joist mounting bars, pair H347 = Step down transformer for 347V input, 75VA max H347200 = Step down transformer for 347V input, 200VA max PORLWTPD1 = LumaWatt Pro Wireless Sensor Kit (0-10V only)

DIMENSIONS



MOUNTING INFORMATION



COMPLIANCE TABLE

1000 LUMEN

80 CRI																
Catalog #	PD610ED010- PDM6A827				PD610ED010- PDM6A830				PD610ED010- PDM6A835				PD610ED010- PDM6A840			
	LUMENS	LPW	ES	T24	LUMENS	LPW	ES	T24	LUMENS	LPW	ES	T24	LUMENS	LPW	ES	T24
61WWC	978	73	ES	T24	1051	78	ES	T24	1115	83	ES	T24	1125	84	ES	T24
61WWCWF	978	73	ES	T24	1051	78	ES	T24	1115	83	ES	T24	1125	84	ES	T24
61WWG	962	72	ES	T24	1034	77	ES	T24	1098	82	ES	T24	1107	83	ES	T24
61WWGWF	949	71	ES	T24	1021	76	ES	T24	1083	81	ES	T24	1092	82	ES	T24
61WWH	943	70	ES	T24	1013	76	ES	T24	1075	80	ES	T24	1084	81	ES	T24
61WWHWF	949	71	ES	T24	1021	76	ES	T24	1083	81	ES	T24	1092	82	ES	T24
61WWW	966	72	ES	T24	1038	77	ES	T24	1101	82	ES	T24	1111	83	ES	T24

90 CRI																
Catalog #	PD610ED010- PDM6A927				PD610ED010- PDM6A930				PD610ED010- PDM6A935				PD610ED010- PDM6A940			
	LUMENS	LPW	ES	T24	LUMENS	LPW	ES	T24	LUMENS	LPW	ES	T24	LUMENS	LPW	ES	T24
61WWC	754	56	ES	T24	808	60	ES	T24	869	65	ES	T24	963	72	ES	T24
61WWCWF	754	56	ES	T24	808	60	ES	T24	869	65	ES	T24	963	72	ES	T24
61WWG	742	55	ES	T24	795	59	ES	T24	856	64	ES	T24	948	71	ES	T24
61WWGWF	732	55	ES	T24	785	59	ES	T24	844	63	ES	T24	936	70	ES	T24
61WWH	726	54	ES	T24	779	58	ES	T24	838	63	ES	T24	929	69	ES	T24
61WWHWF	732	55	ES	T24	785	59	ES	T24	844	63	ES	T24	936	70	ES	T24
61WWW	744	56	ES	T24	798	60	ES	T24	858	64	ES	T24	951	71	ES	T24

1500 LUMEN

80 CRI																
Catalog #	PD615ED010- PDM6A827				PD615ED010- PDM6A830				PD615ED010- PDM6A835				PD615ED010- PDM6A840			
	LUMENS	LPW	ES	T24	LUMENS	LPW	ES	T24	LUMENS	LPW	ES	T24	LUMENS	LPW	ES	T24
61WWC	1342	73	ES	T24	1443	78	ES	T24	1531	83	ES	T24	1544	83	ES	T24
61WWCWF	1342	73	ES	T24	1443	78	ES	T24	1531	83	ES	T24	1544	83	ES	T24
61WWG	1321	71	ES	T24	1420	77	ES	T24	1507	81	ES	T24	1520	82	ES	T24
61WWGWF	1304	70	ES	T24	1401	76	ES	T24	1487	80	ES	T24	1499	81	ES	T24
61WWH	1294	70	ES	T24	1391	75	ES	T24	1476	80	ES	T24	1489	80	ES	T24
61WWHWF	1304	70	ES	T24	1401	76	ES	T24	1487	80	ES	T24	1499	81	ES	T24
61WWW	1326	72	ES	T24	1425	77	ES	T24	1512	82	ES	T24	1525	82	ES	T24

90 CRI																
Catalog #	PD630ED010- PDM6A927				PD630ED010- PDM6A930				PD630ED010- PDM6A935				PD630ED010- PDM6A940			
	LUMENS	LPW	ES	T24	LUMENS	LPW	ES	T24	LUMENS	LPW	ES	T24	LUMENS	LPW	ES	T24
61WWC	1035	56	ES	T24	1109	60	ES	T24	1193	65	ES	T24	1323	71	ES	T24
61WWCWF	1035	56	ES	T24	1109	60	ES	T24	1193	65	ES	T24	1323	71	ES	T24
61WWG	1018	55	ES	T24	1092	59	ES	T24	1175	64	ES	T24	1302	70	ES	T24
61WWGWF	1005	54	ES	T24	1077	58	ES	T24	1159	63	ES	T24	1284	69	ES	T24
61WWH	997	54	ES	T24	1070	58	ES	T24	1151	62	ES	T24	1275	69	ES	T24
61WWHWF	1005	54	ES	T24	1077	58	ES	T24	1159	63	ES	T24	1284	69	ES	T24
61WWW	1022	55	ES	T24	1096	59	ES	T24	1179	64	ES	T24	1306	71	ES	T24

ES

ES = ENERGY STAR® Compliant

T24

T24 = Can be used to comply with California Title 24 Non-Residential

COMPLIANCE TABLE continued

2000 LUMEN

80 CRI																
Catalog #	PD620ED010- PDM6A827				PD620ED010- PDM6A830				PD620ED010- PDM6A835				PD620ED010- PDM6A840			
	LUMENS	LPW	ES	T24	LUMENS	LPW	ES	T24	LUMENS	LPW	ES	T24	LUMENS	LPW	ES	T24
61WWC	1633	74	ES	T24	1755	80	ES	T24	1862	85	ES	T24	1878	85	ES	T24
61WWCWF	1633	74	ES	T24	1755	80	ES	T24	1862	85	ES	T24	1878	85	ES	T24
61WWG	1608	73	ES	T24	1728	79	ES	T24	1833	83	ES	T24	1849	84	ES	T24
61WWGWF	1586	72	ES	T24	1705	77	ES	T24	1809	82	ES	T24	1824	83	ES	T24
61WWH	1574	72	ES	T24	1692	77	ES	T24	1795	82	ES	T24	1811	82	ES	T24
61WWHWF	1586	72	ES	T24	1705	77	ES	T24	1809	82	ES	T24	1824	83	ES	T24
61WWW	1613	73	ES	T24	1733	79	ES	T24	1839	84	ES	T24	1855	84	ES	T24

90 CRI																
Catalog #	PD620ED010- PDM6A927				PD620ED010- PDM6A930				PD620ED010- PDM6A935				PD620ED010- PDM6A940			
	LUMENS	LPW	ES	T24	LUMENS	LPW	ES	T24	LUMENS	LPW	ES	T24	LUMENS	LPW	ES	T24
61WWC	1259	57	ES	T24	1350	61	ES	T24	1452	66	ES	T24	1609	73	ES	T24
61WWCWF	1259	57	ES	T24	1350	61	ES	T24	1452	66	ES	T24	1609	73	ES	T24
61WWG	1239	56	ES	T24	1329	60	ES	T24	1429	65	ES	T24	1584	72	ES	T24
61WWGWF	1222	56	ES	T24	1311	60	ES	T24	1410	64	ES	T24	1563	71	ES	T24
61WWH	1213	55	ES	T24	1301	59	ES	T24	1400	64	ES	T24	1551	71	ES	T24
61WWHWF	1222	56	ES	T24	1311	60	ES	T24	1410	64	ES	T24	1563	71	ES	T24
61WWW	1243	56	ES	T24	1333	61	ES	T24	1434	65	ES	T24	1589	72	ES	T24

3000 LUMEN

80 CRI																
Catalog #	PD630D010- PDM6A827				PD630D010- PDM6A830				PD630D010- PDM6A835				PD630D010- PDM6A840			
	LUMENS	LPW	ES	T24	LUMENS	LPW	ES	T24	LUMENS	LPW	ES	T24	LUMENS	LPW	ES	T24
61WWC	2440	68	ES	T24	2623	73	ES	T24	2783	78	ES	T24	2807	79	ES	T24
61WWCWF	2440	68	ES	T24	2623	73	ES	T24	2783	78	ES	T24	2807	79	ES	T24
61WWG	2402	67	ES	T24	2582	72	ES	T24	2740	77	ES	T24	2763	77	ES	T24
61WWGWF	2370	66	ES	T24	2547	71	ES	T24	2703	76	ES	T24	2726	76	ES	T24
61WWH	2353	66	ES	T24	2529	71	ES	T24	2683	75	ES	T24	2706	76	ES	T24
61WWHWF	2370	66	ES	T24	2547	71	ES	T24	2703	76	ES	T24	2726	76	ES	T24
61WWW	2410	68	ES	T24	2590	73	ES	T24	2748	77	ES	T24	2772	78	ES	T24

90 CRI																
Catalog #	PD630D010- PDM6A927				PD630D010- PDM6A930				PD630D010- PDM6A935				PD630D010- PDM6A940			
	LUMENS	LPW	ES	T24	LUMENS	LPW	ES	T24	LUMENS	LPW	ES	T24	LUMENS	LPW	ES	T24
61WWC	1881	53	ES	T24	2017	56	ES	T24	2170	61	ES	T24	2404	67	ES	T24
61WWCWF	1881	53	ES	T24	2017	56	ES	T24	2170	61	ES	T24	2404	67	ES	T24
61WWG	1851	52	ES	T24	1985	56	ES	T24	2136	60	ES	T24	2367	66	ES	T24
61WWGWF	1826	51	ES	T24	1959	55	ES	T24	2107	59	ES	T24	2335	65	ES	T24
61WWH	1813	51	ES	T24	1944	54	ES	T24	2092	59	ES	T24	2318	65	ES	T24
61WWHWF	1826	51	ES	T24	1959	55	ES	T24	2107	59	ES	T24	2335	65	ES	T24
61WWW	1857	52	ES	T24	1992	56	ES	T24	2142	60	ES	T24	2374	67	ES	T24

ES ES = ENERGY STAR® Compliant

T24 T24 = Can be used to comply with California Title 24 Non-Residential

PHOTOMETRY - 1000 lumen / 80 CRI

PD610ED010- PDM6A835-61WWC

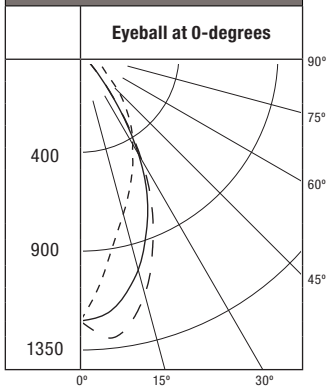
Spacing Criteria = 0.8

Lumens per Watt = 92.2 Lm/W

Test No. P137805

Test Model: PD610ED010- PDM6A835-61WWC

Candlepower Distribution



Candela Distribution	
Degrees Vertical	Candela
0*	1219
5	1050
10	877
20	656
30	477
40	323
50	176
60	112
70	64
80	16
90	0

*CBCP

Luminance	
(Average Candela/M ²)	
Degree	Avg. 0° Luminance
45	19452
55	12903
65	11532
75	7562
85	2768

Zonal Lumen Summary		
Zone	Lumens	% Fixture
0-30	701	62.9
0-40	922	82.7
0-60	1066	95.6
0-90	1115	100

LEGEND:

- 0-deg: - - - - -
- 90-deg: _____
- 180-deg: - - - - -

Single Unit Footcandles								
2.5' from wall (distance from fixture along wall)								
	●	_____						
1	9.4	6.9	3.2	1.1	0.3	0.1	0	
2	12.4	9.5	5.2	2.4	0.9	0.3	0.1	
3	13.7	11.1	5.9	2.5	1.1	0.4	0.2	
4	10.7	9.4	6.1	3	1.2	0.5	0.2	
5	7.7	7	5.4	3.1	1.5	0.6	0.2	
6	5.5	5.2	4.3	3	1.6	0.8	0.3	
7	4	3.9	3.4	2.6	1.6	0.9	0.4	
8	3	2.9	2.6	2.1	1.5	0.9	0.5	
9	2.3	2.2	2.1	1.8	1.4	1	0.6	
10	1.8	1.8	1.6	1.4	1.2	0.9	0.6	

Multiple Unit Footcandles			
2.5' from wall (spacing between fixtures)			
	●	3	●
1	10.5	9.8	10.5
2	14.8	14.5	14.8
3	16.2	17	16.2
4	13.7	15.8	13.7
5	10.8	12.6	10.8
6	8.5	9.6	8.5
7	6.6	7.3	6.6
8	5.2	5.6	5.2
9	4.1	4.4	4.1
10	3.2	3.4	3.2

Multiple Unit Footcandles			
2.5' from wall (spacing between fixtures)			
	●	4	●
1	9.7	6.4	9.7
2	13.3	10.5	13.3
3	14.8	11.8	14.8
4	11.9	12.2	11.9
5	9.1	10.7	9.1
6	7.2	8.5	7.2
7	5.7	6.7	5.7
8	4.5	5.3	4.5
9	3.7	4.1	3.7
10	3	3.3	3

Scaling factor for the Battery back up:

- 1000 Lumen = 0.55
- 1500 Lumen = 0.40
- 2000 Lumen = 0.33
- 3000 Lumen = 0.22

PHOTOMETRY - 1000 lumen / 90 CRI

PD610ED010- PDM6A935-61WWC

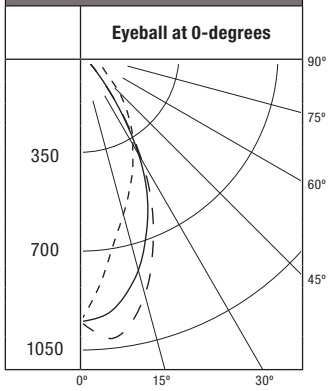
Spacing Criteria = 0.8

Lumens per Watt = 71.8 Lm/W

Test No. P137809

Test Model: PD610ED010- PDM6A935-61WWC

Candlepower Distribution



Degrees Vertical	Candela
0*	950
5	818
10	684
20	511
30	372
40	252
50	137
60	87
70	50
80	12
90	0

*CBCP

Luminance	
(Average Candela/M ²)	
Degree	Avg. 0° Luminance
45	15164
55	10064
65	8989
75	5888
85	2139

Zonal Lumen Summary		
Zone	Lumens	% Fixture
0-30	547	62.9
0-40	719	82.7
0-60	831	95.6
0-90	869	100

LEGEND:

- 0-deg: - - - - -
- 90-deg: _____
- 180-deg: - - - - -

Single Unit Footcandles								
2.5' from wall (distance from fixture along wall)								
	0	1	2	3	4	5	6	7
1	7.3	5.3	2.5	0.9	0.3	0.1	0	
2	9.7	7.4	4.1	1.9	0.7	0.3	0.1	
3	10.7	8.6	4.6	1.9	0.8	0.3	0.1	
4	8.3	7.3	4.7	2.3	0.9	0.4	0.2	
5	6	5.5	4.2	2.4	1.1	0.5	0.2	
6	4.3	4.1	3.3	2.3	1.3	0.6	0.3	
7	3.1	3	2.6	2	1.3	0.7	0.3	
8	2.3	2.3	2.1	1.7	1.2	0.7	0.4	
9	1.8	1.7	1.6	1.4	1.1	0.7	0.4	
10	1.4	1.4	1.3	1.1	0.9	0.7	0.5	

Multiple Unit Footcandles			
2.5' from wall (spacing between fixtures)			
	1	2	3
1	8.2	7.6	8.2
2	11.6	11.3	11.6
3	12.6	13.3	12.6
4	10.7	12.3	10.7
5	8.4	9.8	8.4
6	6.6	7.5	6.6
7	5.1	5.7	5.1
8	4	4.4	4
9	3.2	3.4	3.2
10	2.5	2.7	2.5

Multiple Unit Footcandles			
2.5' from wall (spacing between fixtures)			
	1	2	3
1	7.6	5	7.6
2	10.4	8.2	10.4
3	11.5	9.2	11.5
4	9.3	9.5	9.3
5	7.1	8.4	7.1
6	5.6	6.7	5.6
7	4.4	5.3	4.4
8	3.5	4.1	3.5
9	2.8	3.2	2.8
10	2.3	2.6	2.3

Scaling factor for the Battery back up:

- 1000 Lumen = 0.55
- 1500 Lumen = 0.40
- 2000 Lumen = 0.33
- 3000 Lumen = 0.22

PHOTOMETRY - 1500 lumen / 80 CRI

PD615ED010- PDM6A835-61WWC

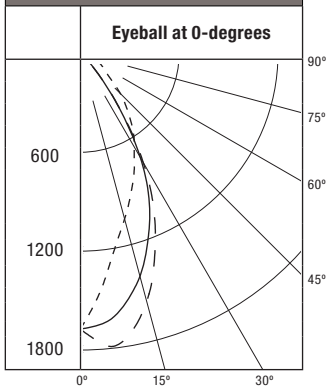
Spacing Criteria = 0.8

Lumens per Watt = 82.8 Lm/W

Test No. P167194

Test Model: PD615ED010- PDM6A835-61WWC

Candlepower Distribution



Candela Distribution	
Degrees Vertical	Candela
0*	1673
5	1441
10	1204
20	901
30	656
40	444
50	242
60	153
70	87
80	22
90	0

*CBCP

Luminance	
(Average Candela/M ²)	
Degree	Avg. 0° Luminance
45	26708
55	17720
65	15825
75	10379
85	3774

Zonal Lumen Summary		
Zone	Lumens	% Fixture
0-30	963	62.9
0-40	1266	82.7
0-60	1464	95.6
0-90	1531	100

LEGEND:

0-deg: - - - - -
90-deg: _____
180-deg: - - - - -

Single Unit Footcandles							
2.5' from wall (distance from fixture along wall)							
	1	2	3	4	5	6	7
1	12.8	9.4	4.4	1.6	0.5	0.2	0.1
2	17	13.1	7.2	3.3	1.3	0.5	0.2
3	18.8	15.2	8.1	3.4	1.5	0.6	0.3
4	14.7	12.9	8.4	4.1	1.6	0.7	0.3
5	10.5	9.6	7.4	4.3	2	0.8	0.3
6	7.6	7.2	5.9	4.1	2.2	1	0.4
7	5.5	5.3	4.6	3.5	2.3	1.2	0.6
8	4.1	4	3.6	2.9	2.1	1.3	0.7
9	3.1	3.1	2.8	2.4	1.9	1.3	0.8
10	2.4	2.4	2.3	2	1.6	1.2	0.8

Multiple Unit Footcandles			
2.5' from wall (spacing between fixtures)			
	1	2	3
1	14.4	13.5	14.4
2	20.4	19.9	20.4
3	22.2	23.4	22.2
4	18.8	21.7	18.8
5	14.8	17.3	14.8
6	11.7	13.2	11.7
7	9.1	10.1	9.1
8	7.1	7.7	7.1
9	5.6	6	5.6
10	4.4	4.7	4.4

Multiple Unit Footcandles			
2.5' from wall (spacing between fixtures)			
	1	2	3
1	13.3	8.8	13.3
2	18.3	14.4	18.3
3	20.3	16.2	20.3
4	16.3	16.7	16.3
5	12.5	14.7	12.5
6	9.8	11.7	9.8
7	7.8	9.3	7.8
8	6.2	7.2	6.2
9	5	5.7	5
10	4.1	4.5	4.1

Scaling factor for the Battery back up:

- 1000 Lumen = 0.55
- 1500 Lumen = 0.40
- 2000 Lumen = 0.33
- 3000 Lumen = 0.22

PHOTOMETRY - 1500 lumen / 90 CRI

PD615ED010- PDM6A935-61WWC

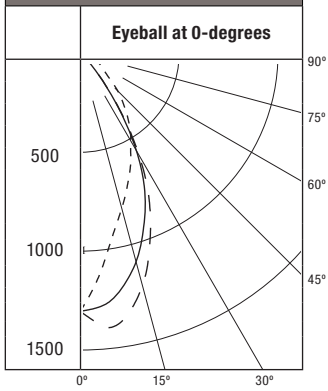
Spacing Criteria = 0.8

Lumens per Watt = 64.5 Lm/W

Test No. P167198

Test Model: PD615ED010- PDM6A935-61WWC

Candlepower Distribution



Candela Distribution	
Degrees Vertical	Candela
0*	1304
5	1124
10	939
20	702
30	511
40	346
50	188
60	119
70	68
80	17
90	0

*CBCP

Luminance	
(Average Candela/M ²)	
Degree	Avg. 0° Luminance
45	20816
55	13811
65	12336
75	8091
85	2956

Zonal Lumen Summary		
Zone	Lumens	% Fixture
0-30	750	62.9
0-40	987	82.7
0-60	1141	95.6
0-90	1193	100

LEGEND:

0-deg: - - - - -
90-deg: _____
180-deg: - . - . - .

Single Unit Footcandles							
2.5' from wall (distance from fixture along wall)							
	10	7.3	3.4	1.2	0.4	0.1	0
1	10	7.3	3.4	1.2	0.4	0.1	0
2	13.3	10.2	5.6	2.6	1	0.4	0.1
3	14.7	11.8	6.3	2.6	1.2	0.5	0.2
4	11.5	10.1	6.5	3.2	1.3	0.5	0.2
5	8.2	7.5	5.7	3.3	1.6	0.7	0.3
6	5.9	5.6	4.6	3.2	1.7	0.8	0.4
7	4.3	4.1	3.6	2.7	1.8	1	0.5
8	3.2	3.1	2.8	2.3	1.6	1	0.5
9	2.5	2.4	2.2	1.9	1.5	1	0.6
10	1.9	1.9	1.8	1.6	1.3	1	0.6

Multiple Unit Footcandles			
2.5' from wall (spacing between fixtures)			
	3		
1	11.2	10.5	11.2
2	15.9	15.5	15.9
3	17.3	18.2	17.3
4	14.6	16.9	14.6
5	11.5	13.5	11.5
6	9.1	10.3	9.1
7	7.1	7.9	7.1
8	5.5	6	5.5
9	4.3	4.7	4.3
10	3.5	3.7	3.5

Multiple Unit Footcandles			
2.5' from wall (spacing between fixtures)			
	4		
1	10.4	6.9	10.4
2	14.3	11.2	14.3
3	15.8	12.7	15.8
4	12.7	13	12.7
5	9.8	11.5	9.8
6	7.7	9.2	7.7
7	6.1	7.2	6.1
8	4.9	5.6	4.9
9	3.9	4.4	3.9
10	3.2	3.5	3.2

Scaling factor for the Battery back up:

- 1000 Lumen = 0.55
- 1500 Lumen = 0.40
- 2000 Lumen = 0.33
- 3000 Lumen = 0.22

PHOTOMETRY - 2000 lumen / 80 CRI

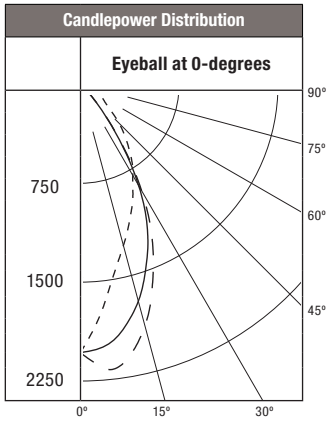
PD620ED010- PDM6A835-61WWC

Spacing Criteria = 0.8

Lumens per Watt = 84.7 Lm/W

Test No. P137789

Test Model: PD620ED010- PDM6A835-61WWC



LEGEND:

- 0-deg: - - - - -
- 90-deg: _____
- 180-deg: - . - . - .

Candela Distribution	
Degrees Vertical	Candela
0*	2036
5	1753
10	1465
20	1096
30	797
40	540
50	294
60	186
70	106
80	26
90	0

*CBCP

Luminance	
(Average Candela/M²)	
Degree	Avg. 0° Luminance
45	32492
55	21552
65	19250
75	12645
85	4592

Zonal Lumen Summary		
Zone	Lumens	% Fixture
0-30	1171	62.9
0-40	1540	82.7
0-60	1781	95.6
0-90	1862	100

Single Unit Footcandles								
2.5' from wall (distance from fixture along wall)								
	1	2	3	4	5	6	7	8
1	15.6	11.5	5.4	1.9	0.6	0.2	0.1	
2	20.7	15.9	8.8	4	1.6	0.6	0.2	
3	22.9	18.5	9.9	4.1	1.8	0.7	0.3	
4	17.9	15.7	10.2	5	2	0.8	0.3	
5	12.8	11.7	9	5.2	2.4	1	0.4	
6	9.3	8.7	7.1	5	2.7	1.3	0.5	
7	6.7	6.5	5.6	4.3	2.7	1.5	0.7	
8	5	4.9	4.4	3.6	2.6	1.6	0.9	
9	3.8	3.7	3.4	3	2.3	1.6	1	
10	3	2.9	2.8	2.4	2	1.5	1	

Multiple Unit Footcandles			
2.5' from wall (spacing between fixtures)			
	1	2	3
1	17.5	16.4	17.5
2	24.8	24.2	24.8
3	27	28.4	27
4	22.8	26.4	22.8
5	18	21	18
6	14.2	16.1	14.2
7	11	12.3	11
8	8.6	9.4	8.6
9	6.8	7.3	6.8
10	5.4	5.7	5.4

Multiple Unit Footcandles			
2.5' from wall (spacing between fixtures)			
	1	2	3
1	16.2	10.8	16.2
2	22.3	17.5	22.3
3	24.7	19.8	24.7
4	19.9	20.3	19.9
5	15.2	17.9	15.2
6	11.9	14.3	11.9
7	9.5	11.3	9.5
8	7.6	8.8	7.6
9	6.1	6.9	6.1
10	4.9	5.5	4.9

Scaling factor for the Battery back up:

- 1000 Lumen = 0.55
- 1500 Lumen = 0.40
- 2000 Lumen = 0.33
- 3000 Lumen = 0.22

PHOTOMETRY - 2000 lumen / 90 CRI

PD620ED010- PDM6A935-61WWC

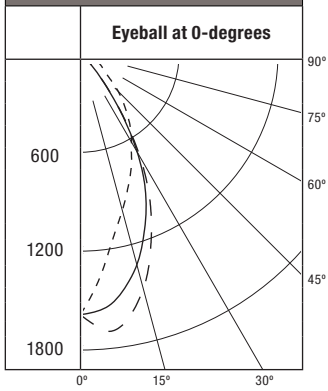
Spacing Criteria = 0.8

Lumens per Watt = 66 Lm/W

Test No. P137793

Test Model: PD620ED010- PDM6A935-61WWC

Candlepower Distribution



Candela Distribution	
Degrees Vertical	Candela
0*	1587
5	1367
10	1142
20	854
30	622
40	421
50	229
60	145
70	83
80	20
90	0

*CBCP

Luminance	
(Average Candela/M²)	
Degree	Avg. 0° Luminance
45	25328
55	16802
65	15008
75	9849
85	3585

Zonal Lumen Summary		
Zone	Lumens	% Fixture
0-30	913	62.9
0-40	1201	82.7
0-60	1388	95.6
0-90	1452	100

LEGEND:

0-deg: - - - - -
90-deg: _____
180-deg: - - - - -

Single Unit Footcandles								
2.5' from wall (distance from fixture along wall)								
	1	2	3	4	5	6	7	8
1	12.2	8.9	4.2	1.5	0.5	0.1	0.1	
2	16.2	12.4	6.8	3.2	1.2	0.4	0.2	
3	17.8	14.4	7.7	3.2	1.4	0.6	0.2	
4	13.9	12.3	7.9	3.9	1.6	0.6	0.3	
5	10	9.1	7	4	1.9	0.8	0.3	
6	7.2	6.8	5.6	3.9	2.1	1	0.4	
7	5.3	5	4.4	3.3	2.1	1.2	0.6	
8	3.9	3.8	3.4	2.8	2	1.2	0.7	
9	3	2.9	2.7	2.3	1.8	1.2	0.7	
10	2.3	2.3	2.1	1.9	1.5	1.2	0.8	

Multiple Unit Footcandles			
2.5' from wall (spacing between fixtures)			
	1	2	3
1	13.6	12.8	13.6
2	19.3	18.9	19.3
3	21	22.1	21
4	17.8	20.6	17.8
5	14	16.4	14
6	11.1	12.6	11.1
7	8.6	9.6	8.6
8	6.7	7.3	6.7
9	5.3	5.7	5.3
10	4.2	4.5	4.2

Multiple Unit Footcandles			
2.5' from wall (spacing between fixtures)			
	1	2	3
1	12.6	8.4	12.6
2	17.4	13.7	17.4
3	19.2	15.4	19.2
4	15.5	15.9	15.5
5	11.9	14	11.9
6	9.3	11.1	9.3
7	7.4	8.8	7.4
8	5.9	6.9	5.9
9	4.8	5.4	4.8
10	3.8	4.3	3.8

Scaling factor for the Battery back up:

- 1000 Lumen = 0.55
- 1500 Lumen = 0.40
- 2000 Lumen = 0.33
- 3000 Lumen = 0.22

PHOTOMETRY - 3000 lumen / 80 CRI

PD630ED010- PDM6A835-61WWC

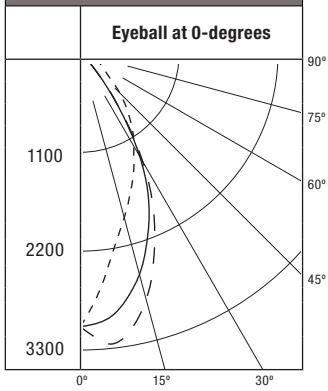
Spacing Criteria = 0.8

Lumens per Watt = 78 Lm/W

Test No. P137821

Test Model: PD630ED010- PDM6A835-61WWC

Candlepower Distribution



Candela Distribution	
Degrees Vertical	Candela
0*	3042
5	2620
10	2190
20	1637
30	1192
40	807
50	439
60	278
70	159
80	39
90	0

*CBCP

Luminance	
(Average Candela/M ²)	
Degree	Avg. 0° Luminance
45	48548
55	32209
65	28771
75	18872
85	6856

Zonal Lumen Summary		
Zone	Lumens	% Fixture
0-30	1750	62.9
0-40	2302	82.7
0-60	2661	95.6
0-90	2783	100

LEGEND:

- 0-deg: - - - - -
- 90-deg: _____
- 180-deg: - - - - -

Single Unit Footcandles								
2.5' from wall (distance from fixture along wall)								
1	23.3	17.1	8	2.8	0.9	0.3	0.1	
2	31	23.8	13.1	6	2.3	0.8	0.3	
3	34.2	27.6	14.8	6.2	2.7	1.1	0.5	
4	26.7	23.5	15.2	7.4	3	1.2	0.5	
5	19.1	17.5	13.4	7.7	3.7	1.5	0.6	
6	13.8	13	10.7	7.4	4	1.9	0.8	
7	10.1	9.7	8.4	6.4	4.1	2.2	1.1	
8	7.5	7.3	6.6	5.4	3.8	2.4	1.3	
9	5.7	5.6	5.2	4.4	3.4	2.4	1.4	
10	4.4	4.4	4.1	3.6	2.9	2.2	1.5	

Multiple Unit Footcandles			
2.5' from wall (spacing between fixtures)			
1	26.2	24.4	26.2
2	37	36.2	37
3	40.4	42.5	40.4
4	34.1	39.4	34.1
5	26.9	31.4	26.9
6	21.2	24.1	21.2
7	16.5	18.3	16.5
8	12.9	14	12.9
9	10.1	10.9	10.1
10	8.1	8.6	8.1

Multiple Unit Footcandles			
2.5' from wall (spacing between fixtures)			
1	24.2	16.1	24.2
2	33.3	26.2	33.3
3	36.9	29.5	36.9
4	29.7	30.4	29.7
5	22.8	26.8	22.8
6	17.9	21.3	17.9
7	14.2	16.8	14.2
8	11.4	13.1	11.4
9	9.1	10.3	9.1
10	7.4	8.2	7.4

Scaling factor for the Battery back up:

- 1000 Lumen = 0.55
- 1500 Lumen = 0.40
- 2000 Lumen = 0.33
- 3000 Lumen = 0.22

PHOTOMETRY - 3000 lumen / 90 CRI

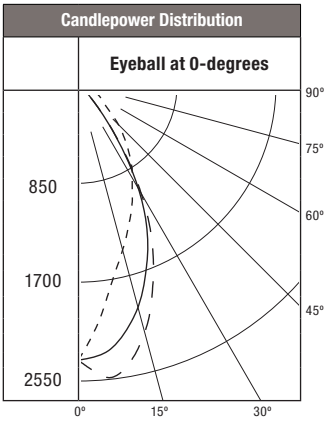
PD630ED010- PDM6A935-61WWC

Spacing Criteria = 0.8

Lumens per Watt = 60.8 Lm/W

Test No. P137825

Test Model: PD630ED010- PDM6A935-61WWC



Candela Distribution	
Degrees Vertical	Candela
0*	2371
5	2043
10	1707
20	1276
30	929
40	629
50	342
60	217
70	124
80	30
90	0

*CBCP

Luminance	
(Average Candela/M²)	
Degree	Avg. 0° Luminance
45	37849
55	25108
65	22428
75	14721
85	5346

Zonal Lumen Summary		
Zone	Lumens	% Fixture
0-30	1364	62.9
0-40	1794	82.7
0-60	2074	95.6
0-90	2170	100

LEGEND:

- 0-deg: - - - - -
- 90-deg: _____
- 180-deg: - - - - -

Single Unit Footcandles								
2.5' from wall (distance from fixture along wall)								
	● —————							
1	18.2	13.3	6.3	2.2	0.7	0.2	0.1	
2	24.1	18.5	10.2	4.7	1.8	0.7	0.2	
3	26.6	21.5	11.5	4.8	2.1	0.9	0.4	
4	20.8	18.3	11.8	5.8	2.3	0.9	0.4	
5	14.9	13.6	10.4	6	2.8	1.2	0.5	
6	10.8	10.1	8.3	5.8	3.1	1.5	0.6	
7	7.9	7.5	6.6	5	3.2	1.7	0.8	
8	5.9	5.7	5.1	4.2	3	1.8	1	
9	4.5	4.4	4	3.4	2.6	1.9	1.1	
10	3.5	3.4	3.2	2.8	2.3	1.7	1.2	

Multiple Unit Footcandles			
2.5' from wall (spacing between fixtures)			
	● — 3 — ●		
1	20.4	19.1	20.4
2	28.9	28.2	28.9
3	31.5	33.1	31.5
4	26.6	30.7	26.6
5	20.9	24.5	20.9
6	16.5	18.8	16.5
7	12.9	14.3	12.9
8	10	10.9	10
9	7.9	8.5	7.9
10	6.3	6.7	6.3

Multiple Unit Footcandles			
2.5' from wall (spacing between fixtures)			
	● — 4 — ●		
1	18.9	12.5	18.9
2	26	20.4	26
3	28.7	23	28.7
4	23.2	23.7	23.2
5	17.7	20.9	17.7
6	13.9	16.6	13.9
7	11	13.1	11
8	8.9	10.2	8.9
9	7.1	8	7.1
10	5.8	6.4	5.8

Scaling factor for the Battery back up:

- 1000 Lumen = 0.55
- 1500 Lumen = 0.40
- 2000 Lumen = 0.33
- 3000 Lumen = 0.22