

LED 9" COMMERCIAL RECESSED RETROFIT DOWNLIGHT
RR9 SERIES



PRODUCT DESCRIPTION:

The commercial-grade LED Recessed Downlight Retrofit is supplied with a quick connect-case and conduit to make an easy connection to an existing recessed fixture frame junction box.

FEATURES:

- Universal voltage (120-277)
- Mounts into existing recessed frame
- Supplied with optional retaining clips if existing frame does not have adequate friction springs to secure reflector
- cETL listed for damp location use
- CRI: > 80
- PF: >.9
- A wide variety of CCTs available: 3000K and 4000K come standard; 2700K and 5000K by special order
- Five year limited warranty
- Dimmable to 5% (120v only)

CONSTRUCTION:

- Supplied with a heavy gauge anodized aluminum reflector in a haze finish
- External driver for easy retrofit and maintenance
- Power supply features integral thermal protection
- Optional extended trim rings available to conceal imperfections in drywall openings



Scan the QR code with a smartphone to view the installation video or visit the following link: <http://bit.ly/ledcrdr>

MODEL SELECTION (Full list of order codes on pg. 2)

Typical order example: RR82330W

RR	9			W	/V2*
FAMILY	SIZE	WATTAGE (NOMINAL)	CCT	TRIM	
RR= Commercial Recessed Retrofit Downlight	9= 9"	15= 15W 23= 23W 30= 30W	30= 3000K 40= 4000K	W= White	/V2*

*V2 only pertains to the 15W product

ACCESSORIES			
ORDER CODE	MODEL NUMBER	DESCRIPTION	ACCESSORIES IMAGE
73494	RR9-XWHTRING	9" White trim ring	

COMPATIBLE DIMMERS:

MAKE	DIMMER MODEL
Lutron	CTCL-153PD*
Lutron	DVCL-153PL*
Lutron	CTELV-303P
Lutron	LGCL-153PL*
Leviton	IPI10

* Dimming control should be adjusted to 5% minimum light output level in order to avoid flickering. Please consult dimming control Instruction manual for specific procedure.

SPECIFICATIONS:

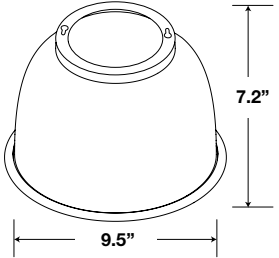
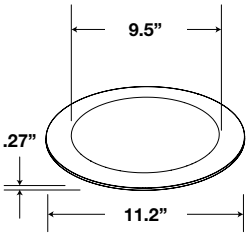
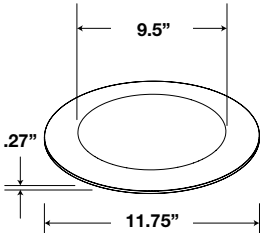
		RR91530W/V2	RR91540W/V2	RR92330W	RR92340W	RR93030W	RR93040W
ITEM	SPECIFICATION	DETAILS					
GENERAL PERFORMANCE	Power Consumption (W)	14.0	14.0	23.0	23.0	30.0	30.0
	Lumens Delivered (lm)	910	930	1710	1770	2265	2565
	Efficacy (lm/W)	65	66	74	77	76	86
	Color Temperature	3000K	4000K	3000K	4000K	3000K	4000K
	L70 Lifetime (hours)	50,000					
	CRI	> 80					
	Color Consistency	Proprietary binning for uniform color					
ELECTRICAL	Power Factor	.90					
	Input Voltage	120-277V standard					
	Compatible Dimmers	Lutron CTCL-153PD, DVCL-153PL, CTELV-303P, DVELV-303P, LGCL-153PL; Leviton IPI10					
PHYSICAL	Weight	2.6 lbs					
	Mounting	Mounts into existing recessed frame					
	Operating Temperature	0° – 104° F					
	Humidity	20% - 85% RH, non-condensing					
CERTIFICATION	Certification	Energy Star, FCC, LM-79, LM-80, ETL					
	Material Usage	RoHS compliant; no mercury					
	Environment	Indoor					
	Warranty	5 years					

ORDERING*:

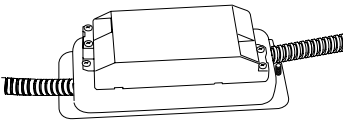
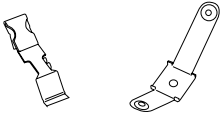
ORDER CODE	MODEL	WATTAGE	CCT	VOLTAGE
101652	RR91530W/V2	15	3000K	120-277V
101653	RR91540W/V2	15	4000K	
74198	RR92330W	23	3000K	
74199	RR92340W	23	4000K	
74200	RR93030W	30	3000K	
74201	RR93040W	30	4000K	

*Please contact your MaxLite representative to order products that don't have order codes listed here.

PRODUCT FEATURES:

REFLECTOR	STANDARD TRIM RING	OPTIONAL EXTENDED TRIM RING
		<p>SOLD SEPARATELY</p> 

PRODUCT FEATURES

EXTERNAL DRIVER	RETAINING CLIPS
	 <p>Retaining clips are supplied for situations where the existing recessed frame does not have pre-installed clips to secure the reflector.</p>

