

MASONRY BOXES



MASONRY BOXES AND PARTITIONS



690 through 694



960



695 through 699



965



971

APPLICATIONS

- RACO® Masonry boxes are designed to accommodate the mounting of switches or other devices in masonry walls
- Gangable masonry boxes offer the option of constructing a box to hold two or more devices
- 2-1/2" deep boxes are used in 4" block walls, 3-1/2" deep boxes are used in 6" or 8" block walls

NONGANGABLE PRODUCT FEATURES

- Rugged welded design does not fall apart during construction
- Available from one to six gang configurations in both 2-1/2" and 3-1/2" depths
- Rectangular shape fits square cuts in block
- Large volume design allows for additional work room inside the box
- Standard 1/2" and 3/4" concentric Knockouts
- Device ears inside the box prevent mortar from getting in the device holes
- Steel low voltage partition #971 fits all 2-1/2" or 3-1/2" depths
- Standard wall plates can be used

COMPLIANCE

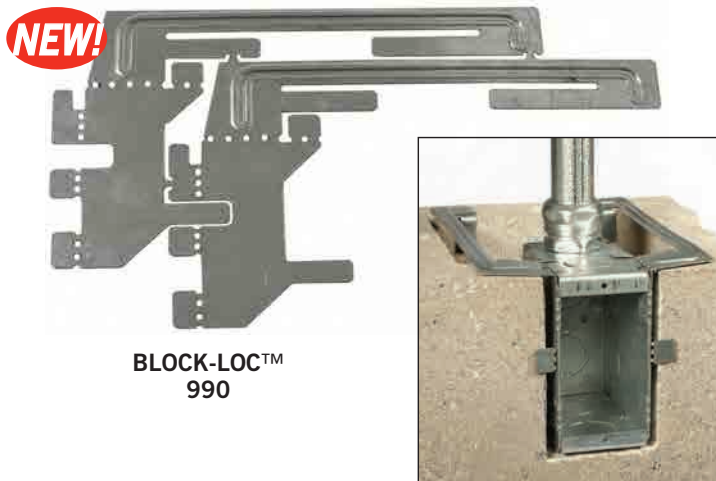
- File E195978 (Cat. #971 not UL Listed)

CAT. #	DESCRIPTION	CUBIC INCHES (CM ³)	KNOCKOUTS			STD. PKG.	BAR CODE
			SIDES CONDUIT	ENDS CONDUIT	BOTTOM CONDUIT		
Masonry Boxes, 2-1/2" Deep – Nongangable with Conduit KO's							
690	1 Gang, 1-31/32" Wide	16.0 (262.1)	4 Conc.	2 Conc.	2 Conc.	25	—
691	2 Gang, 3-25/32" Wide	31.8 (521.1)	4 Conc.	4 Conc.	4 Conc.	25	—
692	3 Gang, 5-19/32" Wide	47.8 (783.3)	4 Conc.	6 Conc.	3 Conc.	10	—
693	4 Gang, 7-13/32" Wide	63.5 (1040.5)	4 Conc.	8 Conc.	4 Conc.	10	—
694	5 Gang, 9-7/32" Wide	79.5 (1302.7)	4 Conc.	10 Conc.	5 Conc.	10	—
960	6 Gang, 11-1/32" Wide	95.3 (1561.6)	4 Conc.	12 Conc.	6 Conc.	1	—
Masonry Boxes, 3-1/2" Deep – Nongangable with Conduit KO's							
695	1 Gang, 1-31/32" Wide	22.5 (368.7)	4 Conc.	4 Conc.	2 Conc.	25	—
8695	1 Gang, 1-31/32" Wide	22.5 (368.7)	4 Conc.	4 Conc.	2 Conc.	25	
696	2 Gang, 3-25/32" Wide	45.0 (737.4)	4 Conc.	8 Conc.	4 Conc.	25	
697	3 Gang, 5-19/32" Wide	67.3 (1102.8)	4 Conc.	12 Conc.	3 Conc.	10	
698	4 Gang, 7-13/32" Wide	89.8 (1471.5)	4 Conc.	16 Conc.	4 Conc.	10	—
699	5 Gang, 9-7/32" Wide	112.3 (1840.2)	4 Conc.	20 Conc.	5 Conc.	10	—
965	6 Gang, 11-1/32" Wide	134.8 (2208.9)	4 Conc.	24 Conc.	6 Conc.	1	—
CATALOG # DESCRIPTION STD. PKG. BARCODE							
Low Voltage Partitions for Masonry Boxes							
971	For Nongangable, 2-1/2" or 3-1/2" Deep Boxes					25	—

SEE END OF SECTION (PG A72) FOR DETAILED DRAWINGS >>



MASONRY BOXES AND SUPPORT



CAT. #	DESCRIPTION	CUBIC INCHES (CM ³)	KNOCKOUTS			STD. PKG.	BAR CODE
			SIDES CONDUIT	ENDS CONDUIT	BOTTOM CONDUIT		
Masonry Boxes, 2-1/2" Deep – Gangable with Conduit KO's							
688	1 Gang, 1-15/16" Wide	15.5 (253.9)	4 TKO®	2 TKO®	2 TKO®	20	
Masonry Boxes, 3-1/2" Deep – Gangable with Conduit KO's							
689	1 Gang, 1-15/16" Wide	22.5 (368.7)	4 TKO®	4 TKO®	2 TKO®	20	

CATALOG #	DESCRIPTION	STD. PKG.	BARCODE
Low Voltage Partitions for Masonry Boxes			
675	For Gangable, 2-1/2" Deep Boxes	20	
676	For Gangable, 3-1/2" Deep Boxes	20	

CATALOG #	DESCRIPTION	STD. PKG.	BARCODE
BLOCK-LOC™ Masonry Box Support Bracket			
NEW 990	For Gangable or Nongangable Boxes	5*	

*5 bags of 10 – sold in carton quantities only

APPLICATIONS

- RACO® Masonry boxes are designed to accommodate the mounting of switches or other devices in masonry walls
- Gangable masonry boxes offer the option of constructing a box to hold two or more devices
- 2-1/2" deep boxes are used in 4" block walls, 3-1/2" deep boxes are used in 6" or 8" block walls

GANGABLE PRODUCT FEATURES

- Rugged welded design does not fall apart during construction
- Gangable design allows installer to build unlimited number of gangs to hold multiple devices
- Rectangular shape fits square cuts in block
- Standard 1/2" and 3/4" TKO® Knockouts
- Device ears inside the box prevent mortar from getting in the device holes
- Steel low voltage partitions:
 - #675 fits 2-1/2" box
 - #676 fits 3-1/2" deep box
- Forward mounted grounding provision allows for easy installation of grounding pigtail
- Standard wall plates can be used

BLOCK-LOC™ APPLICATIONS

- Locks box securely to concrete block wall to prevent movement during construction

BLOCK-LOC™ FEATURES

- Secures box to concrete block, even in irregular cut openings
- Easy-bend tabs lock box from top, front, sides and back
- Sold in breakaway pairs
- No tools required
- Cost effective – reduces installation time and eliminates costly rework
- Universal – Single or multi-gang masonry boxes & tile covers
- Installation instructions included
- Patent Pending