



HAYDON®

H-Strut® Metal Framing & Accessories H-Block® Rooftop Support Systems

1-800-2-HAYDON
sales@haydoncorp.com
www.haydoncorp.com

Two Locations
415 Hamburg Turnpike
Wayne, NJ 07470
1139 West Carrier Pkwy
Grand Prairie, TX 75050



H-Strut®

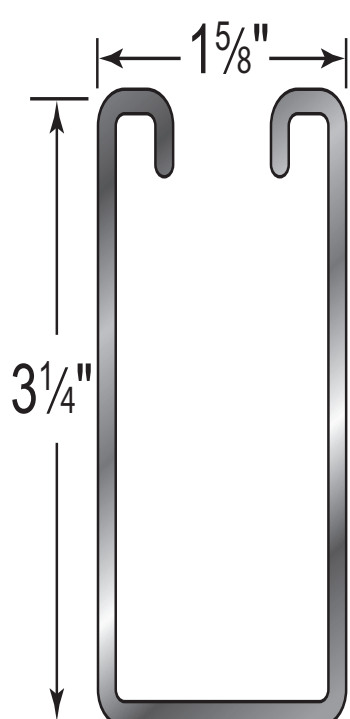
The H-Strut Difference



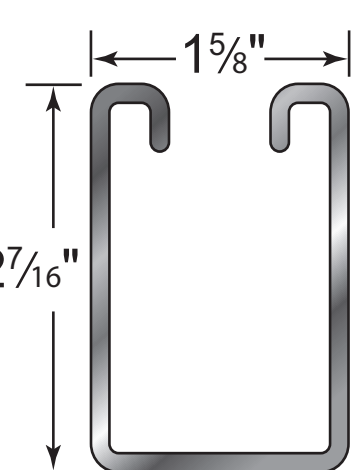
Channel

Stocked in pre-galvanized, plain & powder coated Supr-Green, in both 10' 20' lengths. Available in Stainless Steel 304 & 316 Alloys.

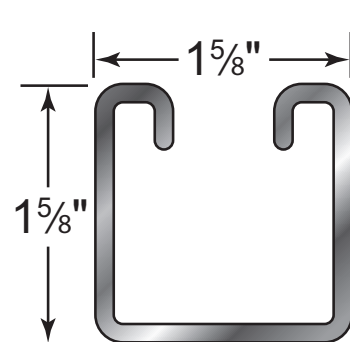
Other materials, finishes & lengths are available upon request.



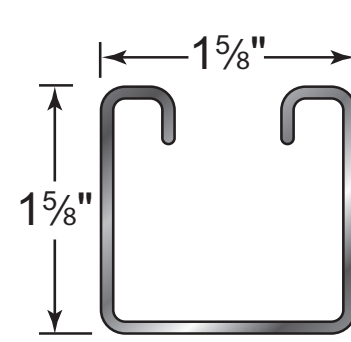
H-112 Channel
Size: 3/4" x 1 1/2" x 12 GA



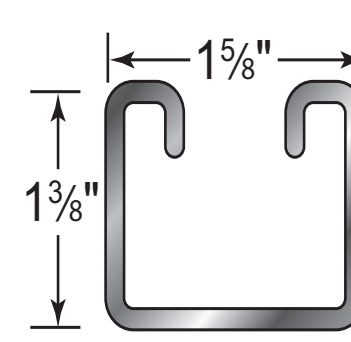
H-122 Channel
Size: 2 1/4" x 1 1/2" x 12 GA



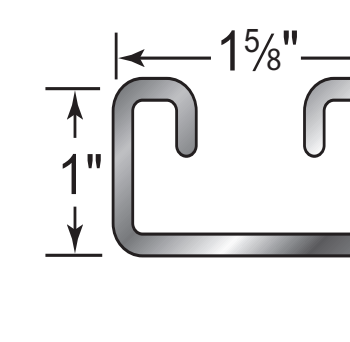
H-132 Channel
Size: 1 1/2" x 1 1/2" x 12 GA



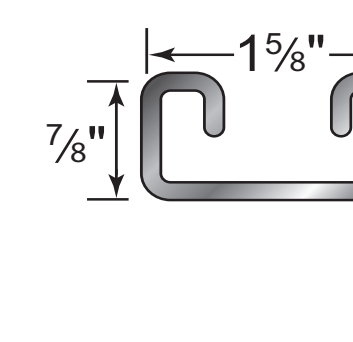
H-134 Channel
Size: 1 1/2" x 1 1/2" x 14 GA



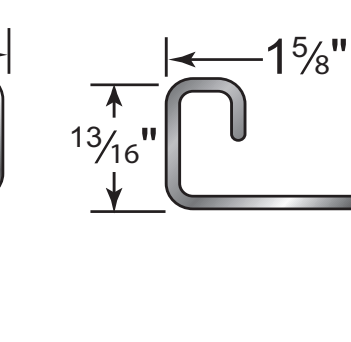
H-142 Channel
Size: 1 1/2" x 1 1/2" x 12 GA



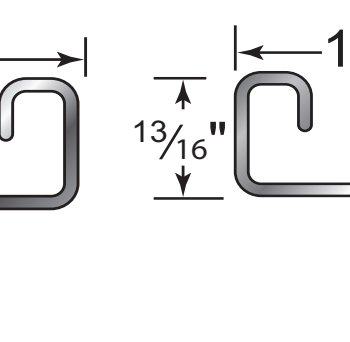
H-152 Channel
Size: 1" x 1 1/2" x 12 GA



H-172 Channel
Size: 3/4" x 1 1/2" x 12 GA



H-162 Channel
Size: 1 1/4" x 1 1/2" x 12 GA



H-164 Channel
Size: 1 1/4" x 1 1/2" x 14 GA

- Raw Materials Inspection
- In-line quality checks
- Routine destructive testing
- Shrink-wrapped painted strut bundles

- Cleanest channel in the framing industry
- Oil-free strut bundles that will keep your warehouses and job sites free of tramp oil
- Complete material traceability with full mill certifications upon request

- A rigorous quality system guarantees our ability to exceed industry tolerances
- Buy American Act Compliant
- American Reinvestment Recovery Act Compliant (A.R.R.A.)

Finishes

All H-Strut channels are stocked in the following finishes and covered in the following specifications.

- Hot Dipped Galvanized (HDG).....ASTM A-123
- Zinc Trivalent Chromium (ZTC).....ASTM B-633-85
- Powder Coated Supr-Green.....ASTM B-117
- Powder Coated White, Black and Gray.....ASTM B-117
- PVC Coating 40 ML Thickness.....Upon Request



HDG ZTC Supr-Green PVC

Materials

All H-Strut channels are produced from prime structural steel covered in the following specifications.

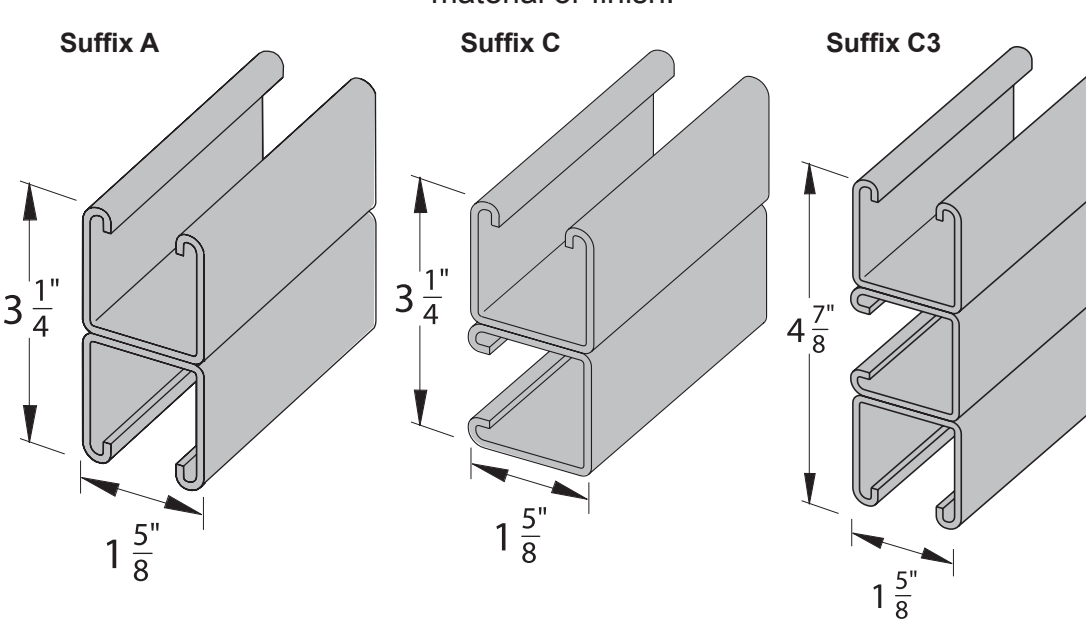
- Pre-Galvanized (PG).....ASTM A-653
- Plain Steel.....ASTM A-1011-04-SS
- Aluminum (Type 6063T6).....ASTM B-221
- Stainless Steel (Type 304&316).....ASTM A-240



PG Plain Steel Aluminum Stainless Steel

Welded Combinations

All combinations illustrated are available in any H-Strut channels and in any material or finish.

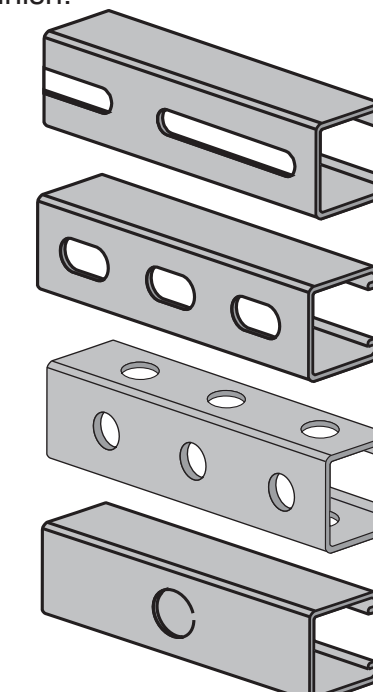


Other welded combinations available upon request.

Styles

All configurations illustrated are available in any H-Strut channels and in any material or finish.

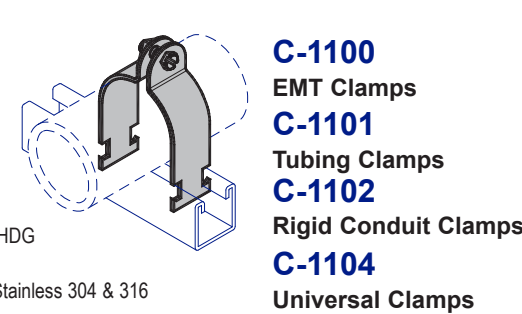
- OS3**
1 1/2" x 3" Slot, 4" on centers
- OS**
3/4" x 1 1/2" Slot, 2" on centers
- RS and RS-MOD**
3/16" or 3/4" Dia. Hole, 1 1/2" on centers
- KO**
3/8" Dia. Knockout, 6" on centers



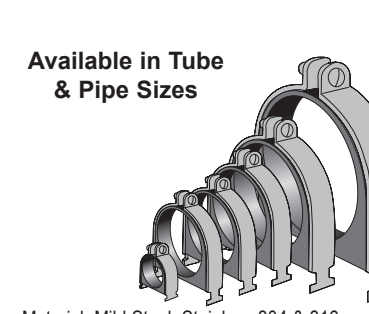
See Haydon's Engineering Catalog for all H-Strut® Metal Framing Systems products and accessories. www.haydoncorp.com

Accessories

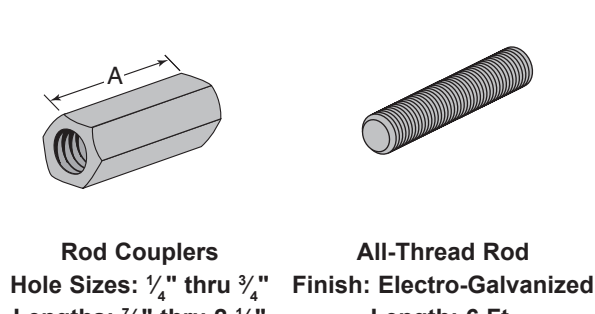
PIPE CLAMPS



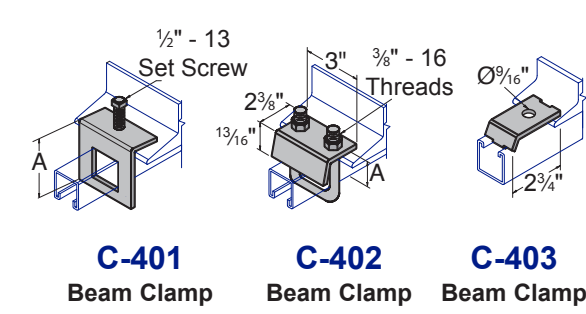
CUSHION CLAMPS



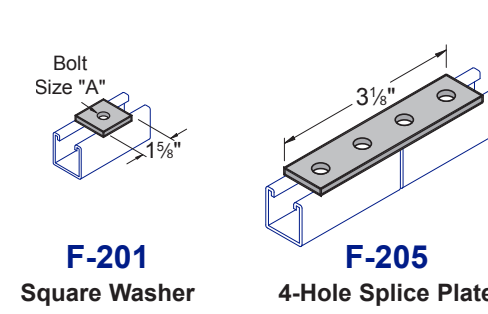
THREADED FASTENERS



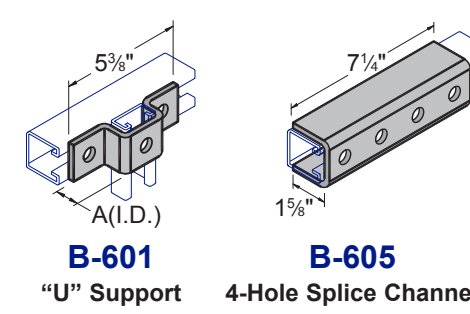
BEAM CLAMPS



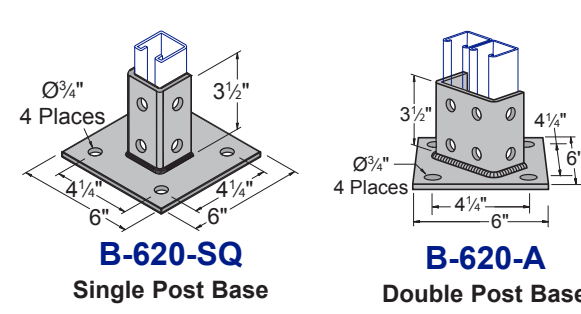
FLAT PLATE FITTINGS



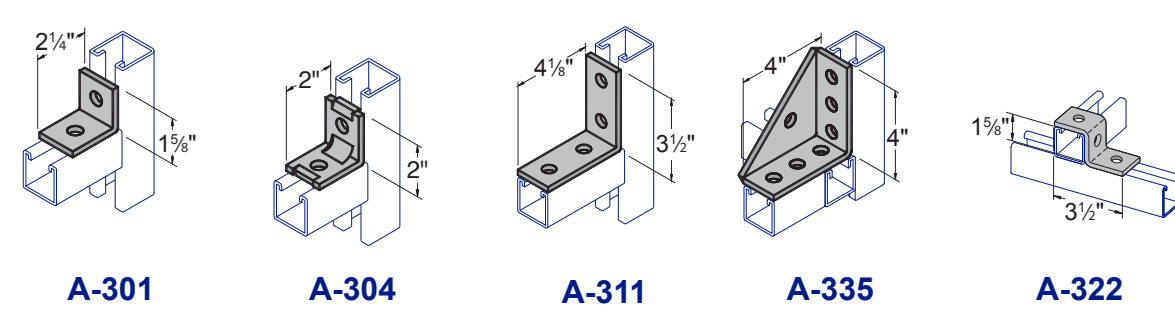
FITTINGS



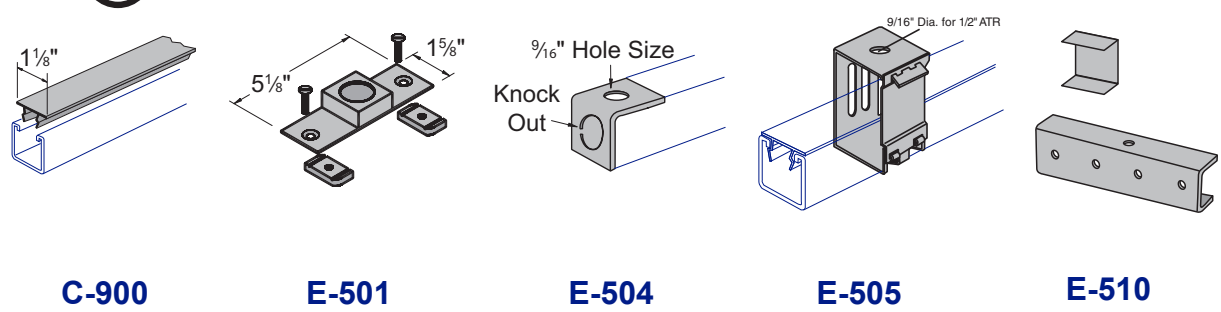
POST BASES



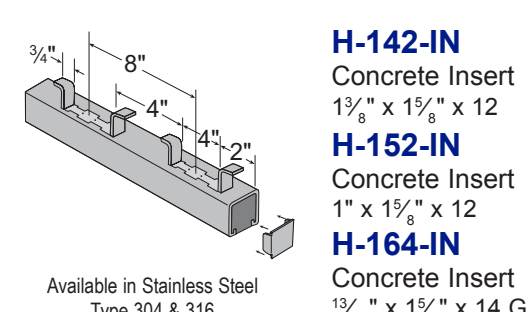
ANGLE BRACKETS



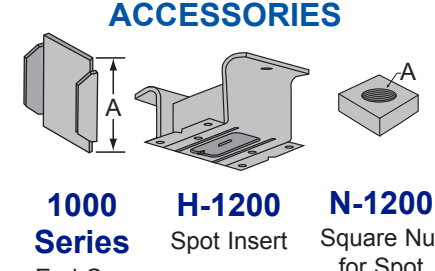
ELECTRICAL ACCESSORIES



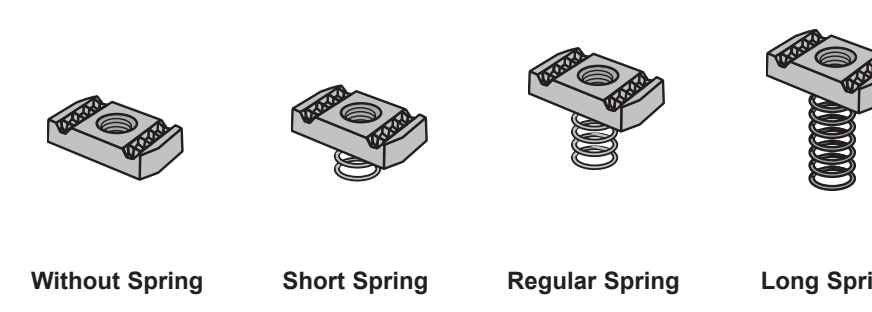
CONCRETE INSERTS



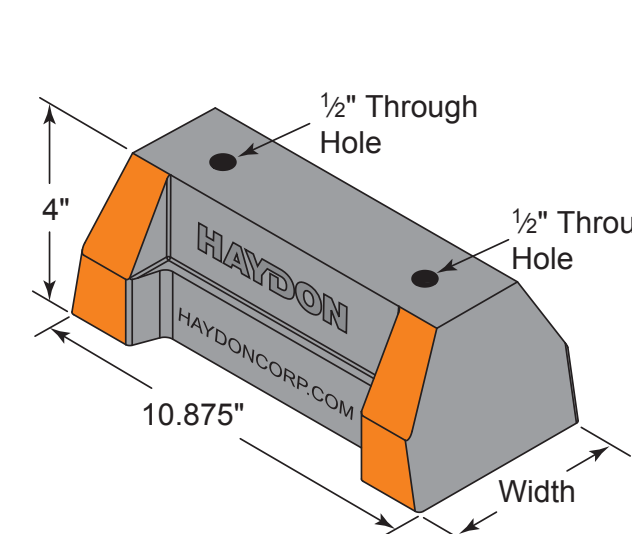
ACCESSORIES



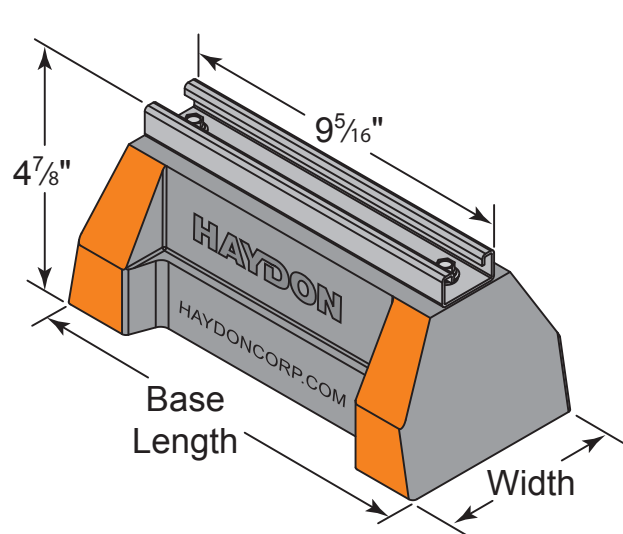
GRIP LOCK NUTS



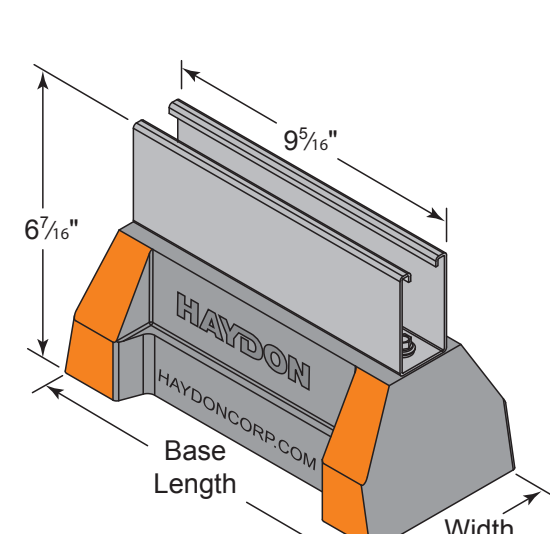
H-Block® Rooftop Support Systems



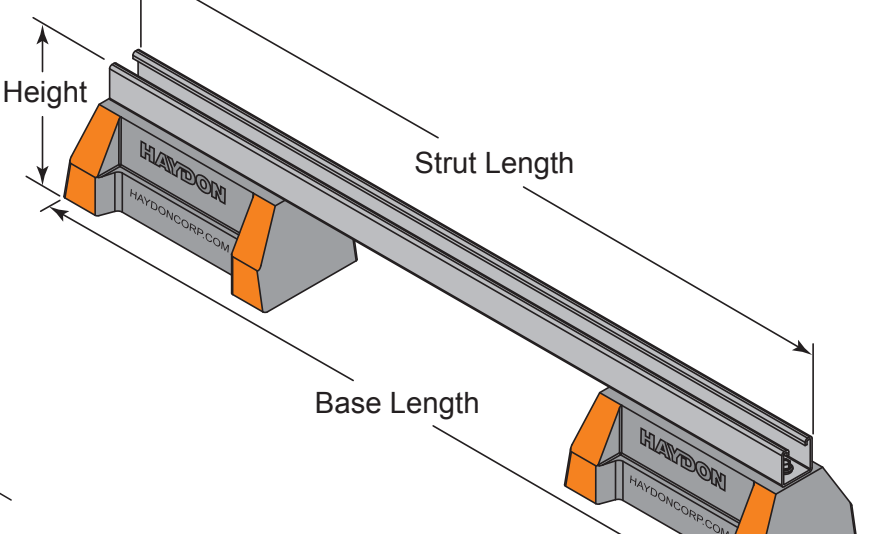
HBS-BASE SERIES



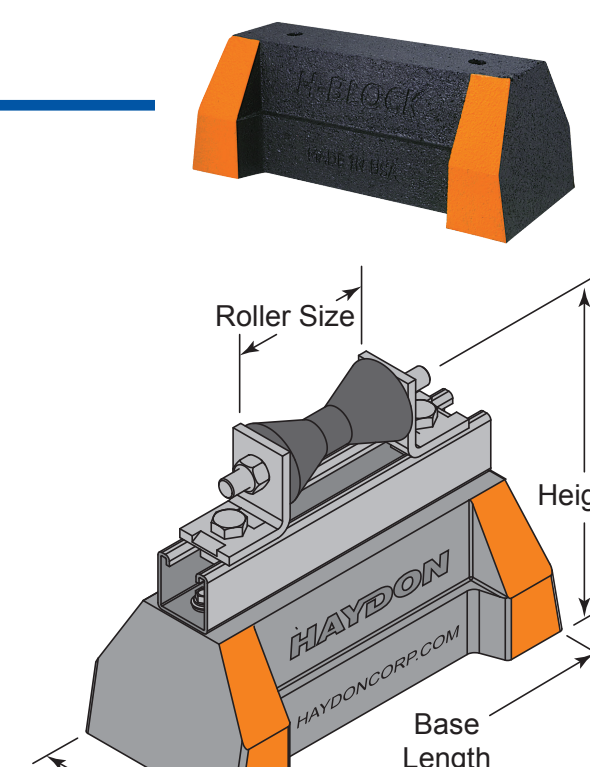
HBS-10 SERIES



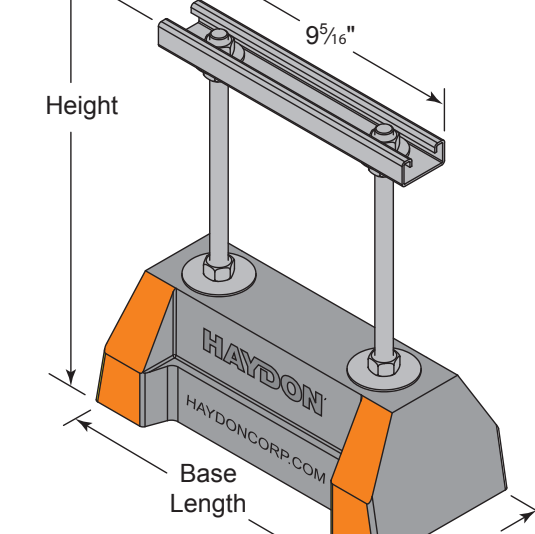
HRS-A SERIES



HBS-CB BRIDGE SERIES



HBS-R ROLLER SERIES



HBS-CE EXTENSION SERIES

Applications

- Solar Racking
- Pipe & Conduit supports
- Duct supports
- HVAC supports
- Cable Tray Systems
- Air Conditioning supports
- Roof Walkway supports
- Customizable applications

Specifications

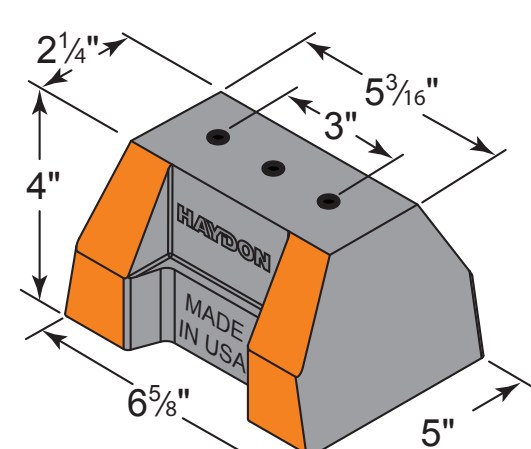
- Made from 100% post-consumer recycled materials
- LEED Certifiable
- Patented
- Meets the Buy America Act
- American Reinvestment Recovery Act (A.R.R.A.)
- No deteriorations
- Corners coated with high visibility safety ANSI orange
- Dampens vibrations
- Compatible with rooftop materials
- Resistance to freeze and thaw

Testing

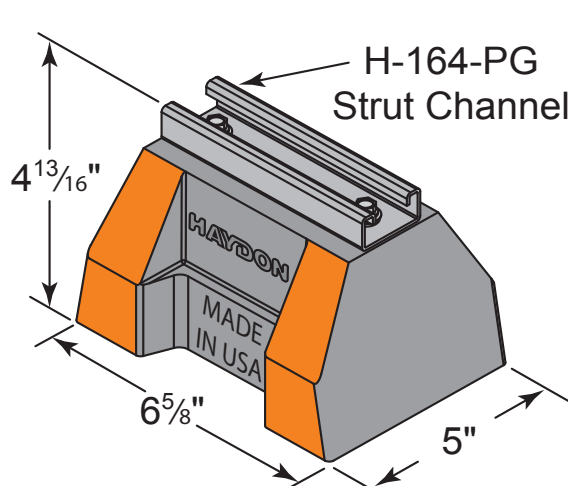
- All Rooftop Supports have been tested by an accredited independent laboratory to the following:
- ASTM D575 Method B – Modified – Compression/Deflection
 - ASTM D1171 Modified – Ozone Resistance
 - Freeze/Thaw Environmental Simulation



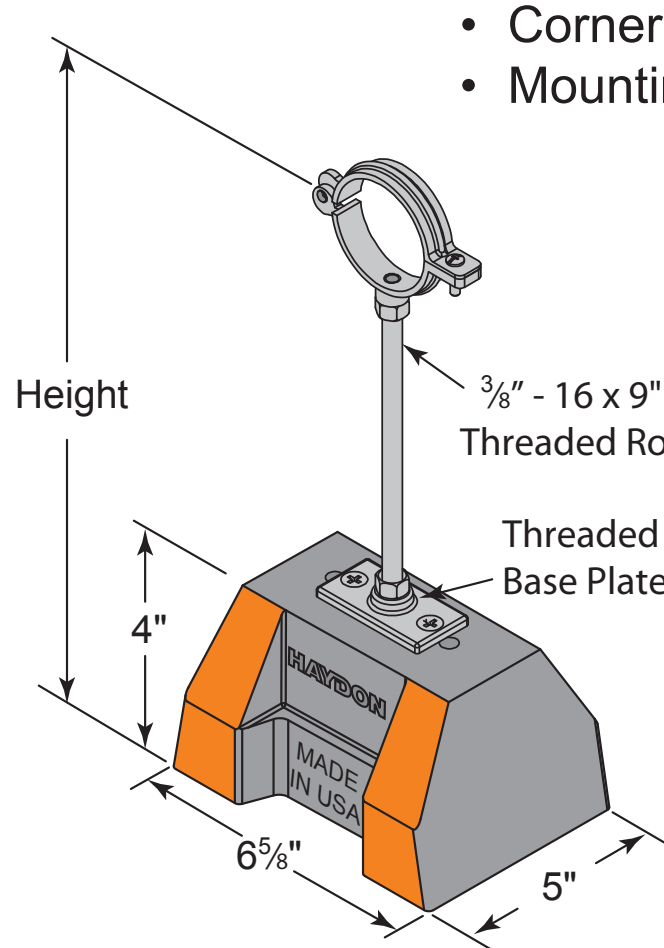
Mini H-Block®



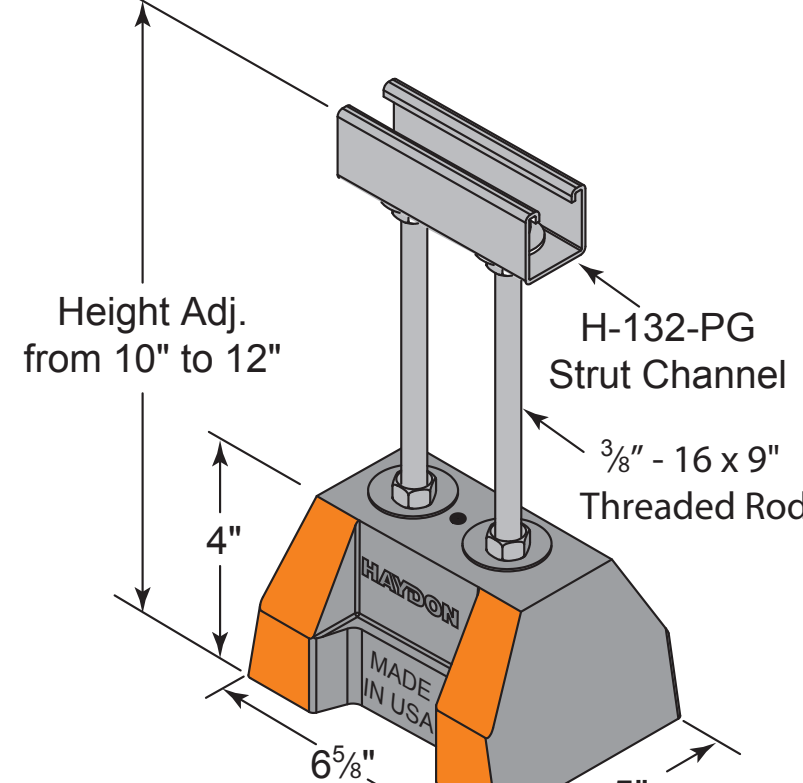
HBM-BASE ONLY SERIES



HBM-5-H-164-PG



HBM-HINGED PIPE CLAMP SERIES



HBM-SUPPORT WITH THREADED ROD EXTENSION

Specifications

- Economical
- Versatile
- Used for single pipe applications
- Made from 100% post-consumer recycled materials
- Corners coated with high visibility safety ANSI orange
- Mounting and supporting without losing strength or integrity



AUTHORIZED DEALER OF HAYDON CORPORATION PRODUCTS