

SWPQ DuraLED Small Wallpack



| | |
|----------------------------|---------------|
| Project Information | |
| Project Name: | Fixture Type: |
| Complete Catalog #: | Date: |
| Comments: | |

The DuraGuard SWPQ general purpose wall pack luminaire provides optically controlled wide spread light distribution designed to replace HID lighting systems up to 100w MH or HPS. Typical wall mounted lighting applications include retail centers, industrial parks, schools and universities, public transit and airports, office buildings and medical facilities. Mounting heights of 8 to 15 feet can be used based on light level and uniformity requirements.

SPECIFICATIONS AND FEATURES:

HOUSING:

Die Cast Gasketed Aluminum Front Frame and Housing with 1/2" Coin Plugs, Nickel-Plated Stainless Steel Hardware.

FINISH:

Textured Architectural Bronze Powdercoat Finish Over a Chromate Conversion Coating. Custom Colors Available Upon Request.

LENS:

Prismatic Borosilicate Glass Lens.

MOUNTING OPTIONS:

Mount Directly Over a 4" Recessed Outlet Box, or Use 1/2" Surface Conduit or Optional Wall Mount Plate.

DURALED LED:

Aluminum Boards

WATTAGE:

Array: 22.7w, System: 27.6w (100w HID Equivalent)

DRIVER:

Electronic Driver, 120-277V, 50/60Hz or 347/480V, 50/60Hz; Dimmable Driver

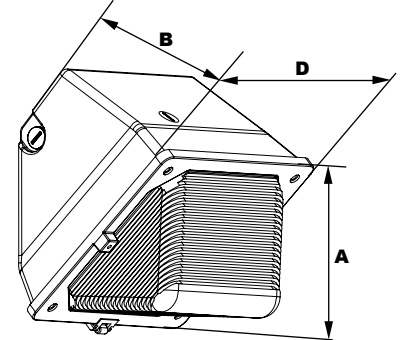
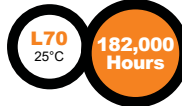
LISTING & RATINGS:

CSA: Listed for Wet Locations.
Operating Temperatures: -40°C to +40°C
IP65

LM-79 Reports Available on Select Models.

See Page 2 for Projected Lumen Maintenance Table.

5-Year Warranty.



Dimensions

| | |
|-------------------|----------------|
| Width (D) | 8 1/2" (216mm) |
| Length (B) | 7 5/8" (194mm) |
| Height (A) | 9 1/2" (241mm) |

DuraLED TECHNOLOGY

Complete Units
Ordering Information
Example: SWPQF1X23U5KZSP

SWPQ DuraLED Small Wallpack

| SWPQ | F | 1X23 | | | | |
|------------------------------|-----------|----------|--------------------------|----------------------|---|---|
| Model | Optics | Wattage | Driver | CCT | Color | Options |
| SWPQ= DuraLED Small Wallpack | F=Type IV | 1X23=23w | U=120-277V H=347/480V | 4K=4000K 5K=5000K | Z=Bronze C=Custom (Consult Factory) | SF=Single Fuse DF=Double Fuse SP=Surge Protection PC1=Photocell, 120VAC PC2=Photocell, 277VAC |



DesignLights Consortium™
Qualified Luminaires:
SWPQF1X23U5K*

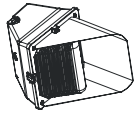


Specifications subject to change without notice.

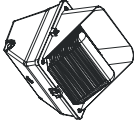
SWPQ DuraLED Small Wallpack



WMP



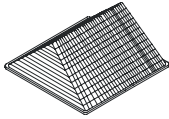
SWPGLFC*



SWPGLGS*



SWPGLWG



SWPGLGL

| Mounting Accessories (Order separately, Field installed) | |
|---|---|
| WMP | Die Cast Wall Mount Plate with Locknut, O-ring & Weatherproof Gasket. |

| Accessories (Order separately, Field installed) | |
|--|--|
| SWPGLFC | Full Cutoff, Stamped Aluminum, Bronze Powdercoat Finish, Includes Hardware. |
| SWPGLGS | Glare Shield, Stamped Aluminum, Bronze Powdercoat Finish, Includes Hardware. |
| SWPGLWG | Wire Guard, Stainless Steel Construction, Includes Hardware. |

| Replacement Parts (Order separately, Field installed) | |
|--|---|
| SWPGLGL | Molded Prismatic Borosilicate Glass Lens. |
| PC1 | 120VAC Photocell |
| PC2 | 240-277VAC Photocell |

*Shown Mounted

PHOTOMETRIC PERFORMANCE

| LED Board Watts | Drive Current (mA) | Input Watts | Optics | 5000 CCT 80 CRI | | | | | 4000 CCT 80 CRI | | | | |
|-----------------|--------------------|-------------|---------|-----------------|-----|---|---|---|-----------------|-----|---|---|---|
| | | | | Lumens | LPW | B | U | G | Lumens | LPW | B | U | G |
| DuraLED 23w | 700 | 28 | Type IV | 2,979 | 106 | 1 | 3 | 3 | 2,860 | 102 | 1 | 3 | 3 |

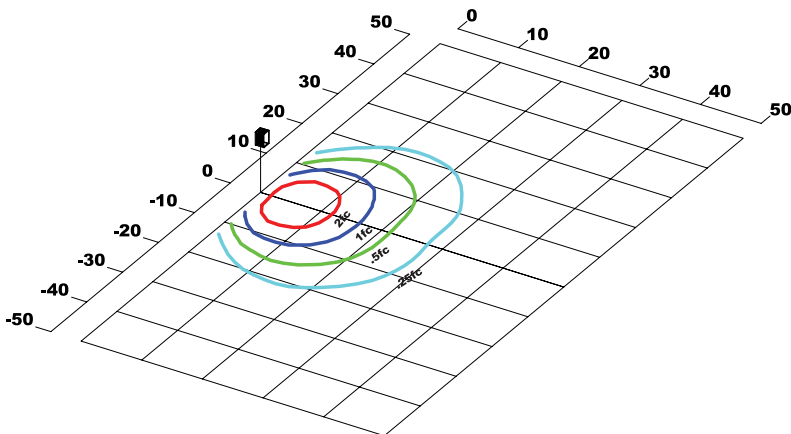
PROJECTED LUMEN MAINTENANCE

| Data shown for 5000 CCT | | | Compare to MH | | | | |
|--------------------------------------|-------------|---------|---------------|------------|-------------|----------------------|--|
| TM-21-11 | Input Watts | Initial | 25,000 Hrs | 50,000 Hrs | 100,000 Hrs | Calculated L70@ 25°C | |
| L70 Lumen Maintenance @ 25°C / 77°F | 28 | 1.00 | 0.96 | 0.92 | 0.84 | 182,000 | |
| TM-21-11 | Input Watts | Initial | 25,000 Hrs | 50,000 Hrs | 100,000 Hrs | Calculated L70@ 50°C | |
| L70 Lumen Maintenance @ 50°C / 122°F | 28 | 1.00 | 0.93 | 0.86 | 0.71 | 104,000 | |
| TM-21-11 | Input Watts | Initial | 25,000 Hrs | 50,000 Hrs | 100,000 Hrs | Calculated L80@ 40°C | |
| L80 Lumen Maintenance @ 40°C / 104°F | 28 | 1.00 | 0.94 | 0.88 | 0.75 | 80,000 | |

NOTES:

- Projected per IESNA TM-21-11. Data references the extrapolated performance projections for the 700mA base model in a 25°C ambient, based on 10,000 hours of LED testing per IESNA LM-80-08.
- Compare to MH box indicates suggested Light Loss Factor (LLF) to be used when comparing to Metal Halide (MH) systems.

PHOTOMETRIC DATA



SWPQF1X23U5K
Type IV
 Grid in MH
 MH=10 Feet

Specifications subject to change without notice.