

Lutron Connect Bridge

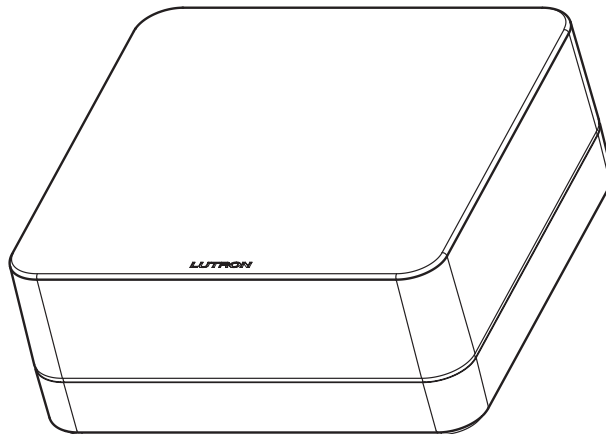
The Lutron Connect Bridge creates a link between a RadioRA 2 or HomeWorks QS system and the Lutron cloud, enabling remote access to your system.

Features

- Works with the Lutron Connect app (Android® and iOS®)
- Provides remote access for control and monitoring of system via Lutron Connect app*
- Timeclock syncing to always ensure accurate system time

Models Available

- **CONNECT-BDG-1:** 5 V \equiv 300 mA
(North America with Power Supply T-5DC-USB-WH)
- **CONNECT-BDG-2:** 5 V \equiv 300 mA
(Without Power Supply)
- **CONNECT-BDG-3:** 5 V \equiv 300 mA
(With Power Supply Kit T-5V-PS-KIT-BL - includes 4 plug adapters for United Kingdom, Europe, Australia, and China)



Lutron Connect Bridge

* The Lutron Connect Bridge is required when using the Lutron Connect app.

Lutron Connect Bridge

Specifications

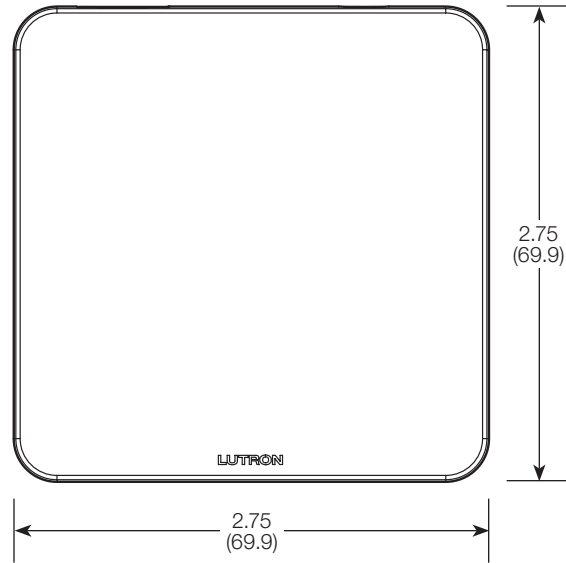
Model Numbers	CONNECT-BDG-1, CONNECT-BDG-2, CONNECT-BDG-3
Power	5 V \equiv 300 mA <i>Power Supply (CONNECT-BDG-1):</i> 5 V \equiv 550 mA; cable length 6 ft (1.83 m) <i>Power Supply Kit (CONNECT-BDG-3):</i> 5 V \equiv 1000 mA; cable length 6 ft (1.83 m)
Typical Power Consumption	1.3 W <i>Test conditions:</i> LED on, Ethernet cable plugged in, powered by the 5 V \equiv power supply
Regulatory Approvals	cULus $\text{\textcircled{R}}$ listed; certified for IEC/EN compliance; CE marked. <i>CONNECT-BDG-1 Power Supply (T-5DC-USB-WH):</i> cULus $\text{\textcircled{R}}$ listed; NOM certified. <i>CONNECT-BDG-3 Power Supply Kit (T-5V-PS-KIT-BL):</i> cULus $\text{\textcircled{R}}$ listed; CE marked.
Environment	<i>Ambient operating temperature:</i> 32 °F to 104 °F (0 °C to 40 °C), 0% to 90% non-condensing humidity. Indoor use only.
Communications	Internet connection is required for initial setup, to maintain system date/time, for remote access from the Lutron Connect app, and to receive periodic firmware updates. Network connection to RadioRA 2 main repeater or HomeWorks QS processor is required.
Protection	Tested to withstand electrostatic discharge without damage or memory loss in accordance with IEC 61000-4-2. Tested to withstand surge voltages without damage or loss of operation in accordance with IEEE C62.41-1991.
Power Failure	<i>Power failure memory:</i> should power be interrupted, the Lutron Connect Bridge will return to its previous state and reconnect to the Lutron system and cloud services when power is restored.
Connections	<i>Ethernet:</i> 3 ft (0.92 m) cable included for internet and Lutron Connect Bridge connection via RadioRA 2 main repeater or HomeWorks QS processor. Micro USB cable (power only).
Warranty	www.lutron.com/TechnicalDocumentLibrary/warranty.pdf www.lutron.com/TechnicalDocumentLibrary/Intl_warranty.pdf

Lutron Connect Bridge

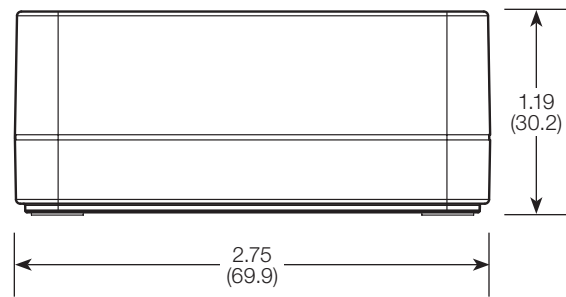
Dimensions

Measurements shown as: in (mm)

Top View

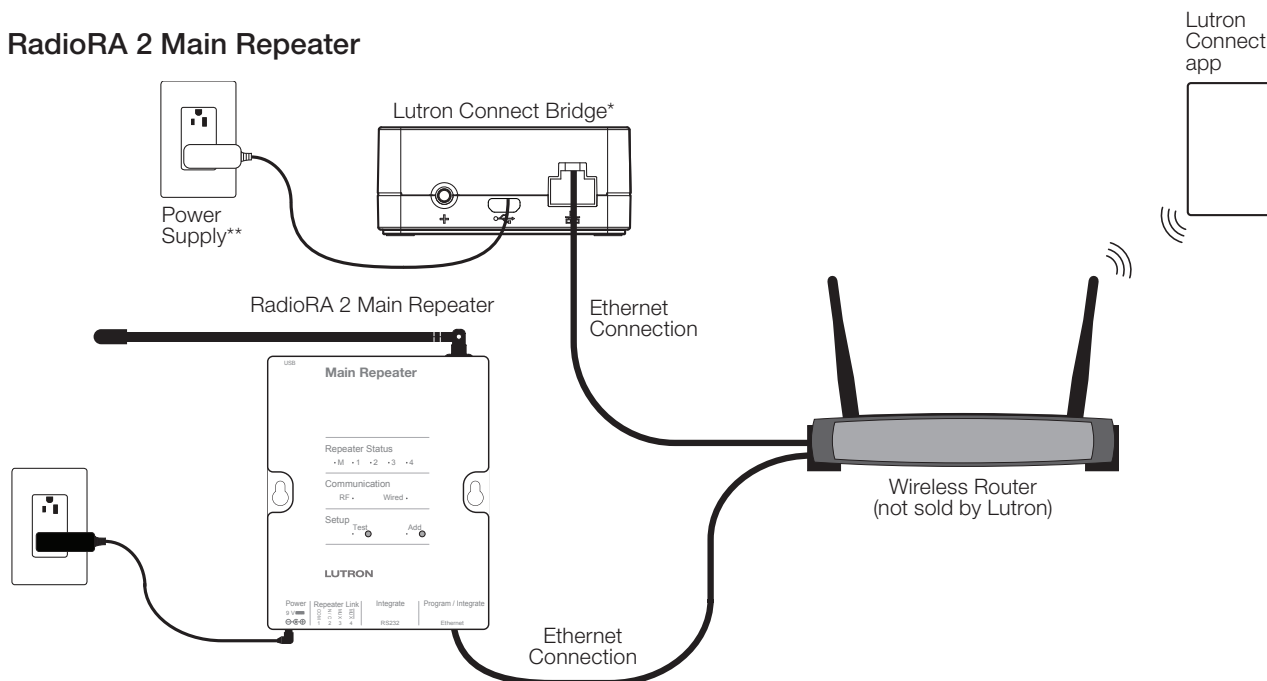


Front View

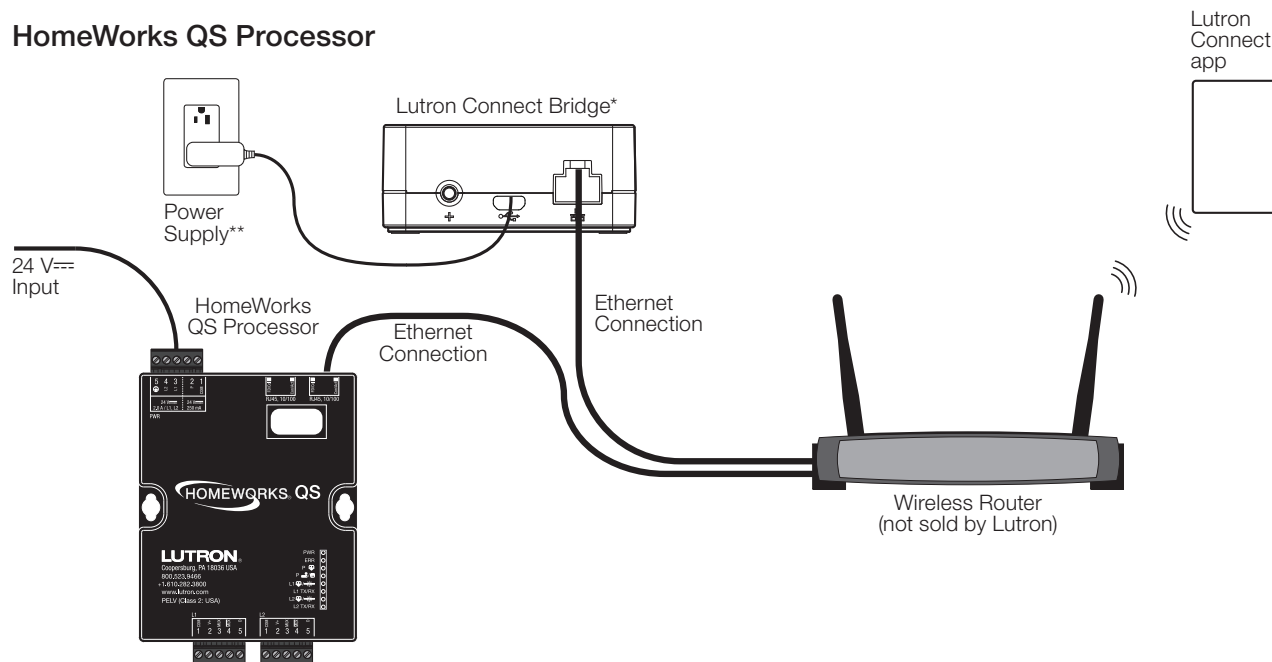


Lutron Connect Bridge Connections

RadioRA 2 Main Repeater



HomeWorks QS Processor



- * The Lutron Connect Bridge must be on the same subnet as the RadioRA 2 Main Repeater or the HomeWorks QS Processor.
- ** Power supply included with CONNECT-BDG-1 and CONNECT-BDG-3.

Lutron, Lutron, HomeWorks, and RadioRA are trademarks of Lutron Electronics Co., Inc., registered in the U.S. and other countries. Lutron Connect and RadioRA 2 are trademarks of Lutron Electronics Co., Inc.

iOS is a registered trademark of Cisco in the U.S. and other countries and is used under license.

Android is a trademark of Google Inc.