

Transformers

Open Core and Coil Transformers

Machine Tool and Control Power

Description

Type IP transformers are core and coil units designed for machine tool, industrial control, panelboard, and general-purpose applications. These designs are now welded core and encapsulated to provide the highest quality electrical performance. The transformer coil is completely surrounded by epoxy, making the unit impervious to external elements. The lamination core is welded to provide superior quiet performance.

Several types of terminations are available to simplify installation. These include primary and secondary leads out, integral fuse, and spade-type terminals and our standard which is a touch proof terminal block. Consult your local GE Sales Office for complete technical applications data.

- Standards:** Type IP units conform to NEMA ST20. They are UL listed under UL-506, File E—2739, and C-UL listed.
- Insulation Classes:** Generally, 150 VA and below are 105°C insulation class, 55°C rise. 200 VA and above are 185°C (NEMA), 180°C (UL) insulation class, 115°C rise. Maximum surface temperature rise is 65°C above ambient.
- Frequency:** 60 Hertz is standard; 50 Hertz is available as an option.
- Voltage Regulation:** All designs 2.0 kVA and below are compensated for voltage drop. Generally, this compensation ranges from 10% in the smallest rating to 3% for the largest. All machine tool designs meet or exceed NMTBA regulation requirements.
- Series-Multiple Secondary Connections:** Transformers with 120/240 V secondaries (series-multiple) may be connected for 120 V, 240 V or 240/120 V three-wire. Jumpers are provided.
- Overcurrent Protection:** Type IP transformers are low impedance transformers that require overcurrent protection for most applications. They provide for optional integral primary and/or secondary fusing.
- Mounting Dimensions:** Type IP transformers are lightweight, small, and designed for minimum mounting dimensions. Many units will fit competitors mounting footprints.



Machine Tool

Machine Tool Applications: Single-Phase (9T58K) Product Tables	14-2
Control: Single-Phase (9T58K) Product Tables	14-3
Options and Fusing Guide	14-5
Machine Tool Applications: Wiring Diagrams	14-6
Outlines and Dimensions	14-7

CE-Rated

Product Tables (9T58E)	14-8
------------------------------	------

Dry-Type/Cased

Isolated, General Purpose, Single-Phase, (9T51B and 9T21B) Product Tables	14-9
Isolated, CE-Rated (9T51E) Product Tables	14-12
Dimensions and Weights	14-13
Wiring Diagrams	14-14



Transformers

Open Core and Coil Transformers

Machine Tool Applications

Single-Phase

Section 14

60 Hz Terminal Board Connection

Input Voltage	Output Voltage	KVA	Frame Size	Inrush VA @ .20 PF, 95% Sec. Volt	Wiring Diagram No. ¹	Product Number	List Price GO-80
220 x 440, 230 x 460, 240 x 480 Volts	110, 115, 120 Volts	0.05	6100	193	1	9T58K0042	\$25.00
220 x 440, 230 x 460, 240 x 480 Volts	110, 115, 120 Volts	0.075	6125	303	1	9T58K0043	\$29.00
220 x 440, 230 x 460, 240 x 480 Volts	110, 115, 120 Volts	0.1	8100	396	1	9T58K0044	\$33.00
220 x 440, 230 x 460, 240 x 480 Volts	110, 115, 120 Volts	0.15	8150	724	1	9T58K0045	\$37.00
220 x 440, 230 x 460, 240 x 480 Volts	110, 115, 120 Volts	0.2	8175	821	1	9T58K0046	\$46.00
220 x 440, 230 x 460, 240 x 480 Volts	110, 115, 120 Volts	0.25	8200	1034	1	9T58K0047	\$54.00
220 x 440, 230 x 460, 240 x 480 Volts	110, 115, 120 Volts	0.3	8250	1037	1	9T58K0048	\$60.00
220 x 440, 230 x 460, 240 x 480 Volts	110, 115, 120 Volts	0.375	8250	1441	1	9T58K0049	\$69.50
220 x 440, 230 x 460, 240 x 480 Volts	110, 115, 120 Volts	0.5	10225	2027	1	9T58K0050	\$79.00
220 x 440, 230 x 460, 240 x 480 Volts	110, 115, 120 Volts	0.75	12225	3092	1	9T58K0051	\$110.00
220 x 440, 230 x 460, 240 x 480 Volts	110, 115, 120 Volts	1	12300	4494	1	9T58K0052	\$135.00
220 x 440, 230 x 460, 240 x 480 Volts	110, 115, 120 Volts	1.5	14225	5156	1	9T58K0053	\$185.00
220 x 440, 230 x 460, 240 x 480 Volts	110, 115, 120 Volts	2	14300	9193	1	9T58K0054	\$249.00
220 x 440, 230 x 460, 240 x 480 Volts	110, 115, 120 Volts	3	14475	14513	1	9T58K0055	\$331.00

50/60 Hz Terminal Board Connection

Input Voltage	Output Voltage	KVA	Frame Size	Inrush VA @ .20 PF, 95% Sec. Volt	Wiring Diagram No. ¹	Product Number	List Price GO-80
230/460/575 Volts	115/95 Volts	0.05	6100	196	2	9T58K0062	\$36.00
230/460/575 Volts	115/95 Volts	0.075	8100	278	2	9T58K0063	\$42.00
230/460/575 Volts	115/95 Volts	0.1	8150	445	2	9T58K0064	\$45.00
230/460/575 Volts	115/95 Volts	0.15	8200	663	2	9T58K0065	\$57.50
230/460/575 Volts	115/95 Volts	0.2	8200	864	2	9T58K0066	\$65.00
230/460/575 Volts	115/95 Volts	0.25	8250	1137	2	9T58K0067	\$77.00
230/460/575 Volts	115/95 Volts	0.3	10225	1412	2	9T58K0068	\$87.00
230/460/575 Volts	115/95 Volts	0.375	10225	1670	2	9T58K0069	\$96.00
230/460/575 Volts	115/95 Volts	0.5	10225	1822	2	9T58K0070	\$104.00
230/460/575 Volts	115/95 Volts	0.75	12300	3524	2	9T58K0071	\$140.00
230/460/575 Volts	115/95 Volts	1	14225	4392	2	9T58K0072	\$194.00
230/460/575 Volts	115/95 Volts	1.5	14300	6753	2	9T58K0073	\$251.00
230/460/575 Volts	115/95 Volts	2	14475	11563	2	9T58K0074	\$306.00
208/277/380 Volts	115/95 Volts	0.05	6150	217	3	9T58K0082	\$36.00
208/277/380 Volts	115/95 Volts	0.075	8100	322	3	9T58K0083	\$42.00
208/277/380 Volts	115/95 Volts	0.1	8150	464	3	9T58K0084	\$45.00
208/277/380 Volts	115/95 Volts	0.15	8200	761	3	9T58K0085	\$57.50
208/277/380 Volts	115/95 Volts	0.2	8200	837	3	9T58K0086	\$65.00
208/277/380 Volts	115/95 Volts	0.25	8250	1198	3	9T58K0087	\$77.00
208/277/380 Volts	115/95 Volts	0.3	10225	1409	3	9T58K0088	\$87.00
208/277/380 Volts	115/95 Volts	0.375	10225	1674	3	9T58K0089	\$96.00
208/277/380 Volts	115/95 Volts	0.5	10225	1821	3	9T58K0090	\$104.00
208/277/380 Volts	115/95 Volts	0.75	12300	3771	3	9T58K0091	\$140.00
208/277/380 Volts	115/95 Volts	1	14225	4234	3	9T58K0092	\$194.00
208/277/380 Volts	115/95 Volts	1.5	14300	7091	3	9T58K0093	\$251.00
208/277/380 Volts	115/95 Volts	2	14475	11729	3	9T58K0094	\$306.00

¹See page 14-6 for wiring diagrams.

Factory- or Field-Installed Options

Secondary Fusing—Factory- or field-installed secondary fuse clips are available. They are restricted to units with terminal strips and a single secondary voltage or secondary with one tap.

Dual Primary and Secondary Fusing—Factory- or field-installed dual primary and secondary fusing is available on all units, including leads out and multiple secondary voltages.

Leads Out—Terminal strip is replaced by rugged primary and secondary leads emanating from the top of the encapsulated coil.



Transformers

Open Core and Coil Transformers

Control

Single-Phase

Section 14

60 Hz Terminal Board Connection

Input Voltage	Output Voltage	KVA	Frame Size	Wiring Diagram No. ²	Product Number	List Price GO-80
240 x 480 Volts	120/240 Volts	0.05	6100	4	9T58K2802	\$36.00
240 x 480 Volts	120/240 Volts	0.075	6125	4	9T58K2803	\$42.00
240 x 480 Volts	120/240 Volts	0.1	8100	4	9T58K2804	\$45.00
240 x 480 Volts	120/240 Volts	0.15	8150	4	9T58K2805	\$57.50
240 x 480 Volts	120/240 Volts	0.2	8175	4	9T58K2806	\$65.00
240 x 480 Volts	120/240 Volts	0.25	8200	4	9T58K2807	\$73.00
240 x 480 Volts	120/240 Volts	0.3	8200	4	9T58K2808	\$76.00
240 x 480 Volts	120/240 Volts	0.375	8250	4	9T58K2809	\$96.00
240 x 480 Volts	120/240 Volts	0.5	10225	4	9T58K2810	\$104.00
240 x 480 Volts	120/240 Volts	0.75	12225	4	9T58K2811	\$128.00
240 x 480 Volts	120/240 Volts	1	12300	4	9T58K2812	\$164.00
240 x 480 Volts	120/240 Volts	1.5	14225	4	9T58K2813	\$215.00
240 x 480 Volts	120/240 Volts	2	14300	4	9T58K2814	\$274.00
240 x 480 Volts	120/240 Volts	3	14475	4	9T58K2815	\$360.00
600 Volts	120/240 Volts	0.1	8100	5	9T58K2824	\$45.00
600 Volts	120/240 Volts	0.2	8175	5	9T58K2826	\$65.00
600 Volts	120/240 Volts	0.3	8200	5	9T58K2828	\$73.00
600 Volts	120/240 Volts	0.5	10225	5	9T58K2830	\$104.00
600 Volts	120/240 Volts	1	12300	5	9T58K2832	\$194.00
600 Volts	120/240 Volts	2	14300	5	9T58K2834	\$306.00
600 Volts	120/240 Volts	3	14475	5	9T58K2835	\$398.00
120 x 240 Volts	120/240 Volts	0.1	8100	6	9T58K2907	\$44.00
120 x 240 Volts	120/240 Volts	0.2	8175	6	9T58K2909	\$65.50
120 x 240 Volts	120/240 Volts	0.3	8200	6	9T58K2911	\$72.00
120 x 240 Volts	120/240 Volts	0.5	10225	6	9T58K2913	\$101.00
120 x 240 Volts	120/240 Volts	0.75	12225	6	9T58K2914	\$121.00
120 x 240 Volts	120/240 Volts	1	12300	6	9T58K2915	\$155.00
120 x 240 Volts	120/240 Volts	2	14300	6	9T58K2917	\$261.00
120 x 240 Volts	120/240 Volts	3	14475	6	9T58K2918	\$344.00

60 Hz Terminal Board Connection

Input Voltage	Output Voltage	KVA	Frame Size	Wiring Diagram No. ²	Product Number	List Price GO-80
120 x 240 Volts	12/24 Volts	0.05	6100	7	9T58K2873	\$29.00
120 x 240 Volts	12/24 Volts	0.075	6125	7	9T58K2874	\$35.00
120 x 240 Volts	12/24 Volts	0.1	8100	7	9T58K2875	\$39.00
120 x 240 Volts	12/24 Volts	0.15	8150	7	9T58K2876	\$48.50
120 x 240 Volts	12/24 Volts	0.2	8175	7	9T58K2877	\$58.50
120 x 240 Volts	12/24 Volts	0.25	8200	7	9T58K2878	\$62.50
120 x 240 Volts	12/24 Volts	0.3	8200	7	9T58K2879	\$67.00
240 x 480 Volts	12/24 Volts	0.05	6100	—	9T58K3164	\$34.50
240 x 480 Volts	12/24 Volts	0.1	8100	—	9T58K4132	\$40.50
240 x 480 Volts	12/24 Volts	0.15	8150	—	9T58K4133	\$48.50
240 x 480 Volts	12/24 Volts	0.25	8200	—	9T58K3024	\$62.50
208 x 240 Volts	12/24 Volts	0.05	6100	—	9T58K4050	\$34.50
208 x 240 Volts	12/24 Volts	0.1	8100	—	9T58K4051	\$40.50
208 x 240 Volts	12/24 Volts	0.15	8150	—	9T58K4052	\$48.50
208 x 240 Volts	12/24 Volts	0.25	8200	—	9T58K4053	\$62.50

60 Hz Leads Out Connection¹

Input Voltage	Output Voltage	KVA	Frame Size	Wiring Diagram No. ²	Product Number	List Price GO-80
240 x 480 Volts	120/240 Volts	0.05	6100	4	9T58K1802	\$36.00
240 x 480 Volts	120/240 Volts	0.075	6125	4	9T58K1803	\$42.00
240 x 480 Volts	120/240 Volts	0.1	8100	4	9T58K1804	\$45.00
240 x 480 Volts	120/240 Volts	0.15	8150	4	9T58K1805	\$57.50
240 x 480 Volts	120/240 Volts	0.2	8175	4	9T58K1806	\$65.00
240 x 480 Volts	120/240 Volts	0.25	8200	4	9T58K1807	\$73.00
240 x 480 Volts	120/240 Volts	0.3	8200	4	9T58K1808	\$76.00
240 x 480 Volts	120/240 Volts	0.375	8250	4	9T58K1809	\$96.00
240 x 480 Volts	120/240 Volts	0.5	10225	4	9T58K1810	\$104.00
240 x 480 Volts	120/240 Volts	0.75	12225	4	9T58K1811	\$128.00
240 x 480 Volts	120/240 Volts	1	12300	4	9T58K1812	\$164.00
240 x 480 Volts	120/240 Volts	1.5	14225	4	9T58K1813	\$215.00
240 x 480 Volts	120/240 Volts	2	14300	4	9T58K1814	\$274.00
240 x 480 Volts	120/240 Volts	3	14475	4	9T58K1815	\$360.00

¹Secondary fusing not available.

²See page 14-6 for wiring diagrams.



Transformers

Open Core and Coil Transformers

Control

Single-Phase

Section 14

60 Hz Leads Out Connection¹

Input Voltage	Output Voltage	KVA	Frame Size	Wiring Diagram No. ²	Product Number	List Price GO-80
600 Volts	120/240 Volts	0.1	8100	5	9T58K1824	\$45.00
600 Volts	120/240 Volts	0.2	8175	5	9T58K1826	\$65.00
600 Volts	120/240 Volts	0.3	8200	5	9T58K1828	\$73.00
600 Volts	120/240 Volts	0.5	10225	5	9T58K1830	\$104.00
600 Volts	120/240 Volts	1	12300	5	9T58K1832	\$194.00
600 Volts	120/240 Volts	2	14300	5	9T58K1834	\$306.00
600 Volts	120/240 Volts	3	14475	5	9T58K1835	\$398.00

¹Secondary fusing not available.

²See page 14-6 for wiring diagrams.

60 Hz Leads Out Connection¹

Input Voltage	Output Voltage	KVA	Frame Size	Wiring Diagram No. ²	Product Number	List Price GO-80
120 x 240 Volts	12/24 Volts	0.05	6100	7	9T58K1873	\$29.00
120 x 240 Volts	12/24 Volts	0.075	6125	7	9T58K1874	\$35.00
120 x 240 Volts	12/24 Volts	0.1	8100	7	9T58K1875	\$39.00
120 x 240 Volts	12/24 Volts	0.15	8150	7	9T58K1876	\$48.50
120 x 240 Volts	12/24 Volts	0.2	8175	7	9T58K1877	\$58.50
120 x 240 Volts	12/24 Volts	0.25	8200	7	9T58K1878	\$62.50
120 x 240 Volts	12/24 Volts	0.3	8200	7	9T58K1879	\$67.00
120 x 240 Volts	12/24 Volts	0.5	10225	7	9T58K1881	\$93.00

¹Secondary fusing not available.

²See page 14-6 for wiring diagrams.

50/60 Hz Terminal Board Connection

Input Voltage	Output Voltage	KVA	Frame Size	Wiring Diagram No. ²	Product Number	List Price GO-80
240 x 480 Volts	120/240 Volts	0.5	10225	4	9T58K2930	\$104.00
240 x 480 Volts	120/240 Volts	0.75	12300	4	9T58K2931	\$133.00
240 x 480 Volts	120/240 Volts	1	14225	4	9T58K2932	\$171.00
240 x 480 Volts	120/240 Volts	1.5	14300	4	9T58K2933	\$221.00
240 x 480 Volts	120/240 Volts	2	14475	4	9T58K2934	\$285.00
240 x 480 Volts	120/240 Volts	3	14475	4	9T58K2935	\$423.00
380/400/416 Volts	115/230 Volts	0.5	10225	8	9T58K2978	\$104.00
380/400/416 Volts	115/230 Volts	0.75	12300	8	9T58K2979	\$133.00
380/400/416 Volts	115/230 Volts	1	14225	8	9T58K2980	\$171.00
380/400/416 Volts	115/230 Volts	1.5	14300	8	9T58K2981	\$221.00
380/400/416 Volts	115/230 Volts	2	14475	8	9T58K2982	\$285.00
380/400/416 Volts	115/230 Volts	3	14475	8	9T58K2983	\$423.00

50/60 Hz Leads Out Connection¹

Input Voltage	Output Voltage	KVA	Frame Size	Wiring Diagram No. ²	Product Number	List Price GO-80
240 x 480 Volts	120/240 Volts	0.5	10225	4	9T58K1930	\$104.00
240 x 480 Volts	120/240 Volts	0.75	12300	4	9T58K1931	\$133.00
240 x 480 Volts	120/240 Volts	1.5	14300	4	9T58K1933	\$221.00
240 x 480 Volts	120/240 Volts	3	14475	4	9T58K1935	\$423.00
380/400/416 Volts	115/230 Volts	0.75	12300	8	9T58K1979	\$133.00
380/400/416 Volts	115/230 Volts	1	14225	8	9T58K1980	\$171.00
380/400/416 Volts	115/230 Volts	1.5	14300	8	9T58K1981	\$221.00

¹Secondary fusing not available.

²See page 14-6 for wiring diagrams.

50/60 Hz Universal Voltage/Multitap Terminal Strip Connection

KVA	Frame Size	Product Number	List Price GO-80
0.25	1016	9T58K3715	\$143.55
0.35	1016	9T58K3716	\$146.00
0.5	12225	9T58K3717	\$238.60
0.75	14225	9T58K3718	\$280.90
1	14225	9T58K3719	\$302.90
1.5	14300	9T58K3720	\$309.00
2	14475	9T58K3721	\$373.00

Voltage Table

Incoming Voltage					Output Voltage			
H1	H2	H1 H3	H1 H4	H1 H5	X1 X2	X1 X3	X1 X4	X1 X4
208				500	85	100	110	
			415		86	104	113	
220	380		440	550	91	110	120	
230	400		460	575	95	115	125	
240	416		480	600	99	120	130	



Transformers

Open Core and Coil Transformers

Options and Fusing Guide

Encapsulated Transformer Options

Accessory Type	Fuse Type	Product Number	List Price GO-80
Terminal Links (Standard Terminal Blocks)		9T58K0000G01	\$ 0.80
Fuse Clips Mounted on Terminals	Single 1/4" x 1 1/4" Glass Fuse	9T58K0000G09 ¹	\$ 2.05
Fuse Blocks Mounted on Top of Transformer	Dual 9/16" x 2" H/K Fuses	9T58K0000G05	\$ 9.80
Fuse Blocks Mounted on Top of Transformer	Single 9/16" x 2" H/K Fuses	9T58K0000G10	\$ 10.50
Fuse Blocks Mounted on Top of Transformer	Dual 13/32" x 1 1/2" Class CC Fuses with Single 9/16" x 2" H/K Fuse	9T58K0000G18	\$ 11.80
Fuse Blocks Mounted on Top of Transformer	Single 1/4" x 1 1/4" Glass Fuse	9T58K0000G24	\$ 4.40
Fuse Blocks Mounted on Top of Transformer	Dual 13/32" x 1 1/2" Class CC Fuses with Single 13/32" x 1 1/2" Midget Fuse	9T58K0000G38	\$ 14.40
Fuse Blocks Mounted on Top of Transformer	Single 13/32" x 1 1/2" Midget Fuse	9T58K0000G42	\$ 9.90
Fuse Blocks Mounted on Top of Transformer	Dual 13/32" x 1 1/2" Class CC Fuses with Single 1/4" x 1 1/4" Glass Fuse	9T58K0000G48	\$ 12.20

¹Use G24 when the transformer is a series multiple or multitapped winding with no open terminals.

Fuse Guide

Midget Class CC Rejection Fuse

Primary Voltage	Encapsulated Transformer Continuous Power Rating (VA)								
	50	75	100	150	200	250	300	375	500
Fuse Rating (Amperes)									
100	1.50	2.00	3.00	4.00	3.00	4.00	5.00	6.00	8.00
110	1.25	2.00	2.50	4.00	5.00	3.00	4.00	5.00	7.00
120	1.25	1.60	2.50	3.00	5.00	3.00	4.00	5.00	6.00
200	0.75	1.00	1.50	2.00	3.00	3.00	4.00	5.00	4.00
208	0.60	1.00	1.25	2.00	2.50	3.00	4.00	5.00	4.00
220	0.60	1.00	1.25	2.00	2.50	3.00	4.00	5.00	3.00
230	0.60	0.80	1.25	1.60	2.50	3.00	3.00	4.00	3.00
240	0.60	0.80	1.25	1.60	2.50	3.00	3.00	4.00	3.00
277	0.50	0.80	1.00	1.60	2.00	2.50	3.00	4.00	5.00
380	0.30	0.50	0.75	1.00	1.50	1.60	2.00	2.50	3.00
400	0.30	0.50	0.75	1.00	1.50	1.60	2.00	2.50	3.00
416	0.30	0.50	0.60	1.00	1.25	1.60	2.00	2.50	3.00
440	0.30	0.50	0.60	1.00	1.25	1.60	2.00	2.50	3.00
460	0.30	0.40	0.60	0.80	1.25	1.60	1.60	2.00	3.00
480	0.30	0.40	0.60	0.80	1.25	1.50	1.60	2.00	3.00
550	0.25	0.40	0.50	0.80	1.00	1.25	1.60	2.00	2.50
575	0.25	0.30	0.50	0.75	1.00	1.25	1.50	1.60	2.50
600	0.25	0.30	0.50	0.75	1.00	1.25	1.50	1.60	2.50

For motor control circuits fusing, refer to NEC 430-72.

Secondary Fuse Selection

Secondary Voltage	Encapsulated Transformer Continuous Power Rating (VA)													
	50	75	100	150	200	250	300	375	500	750	1000	1500	2000	3000
Fuse Rating (Amperes)														
12	6.00	10.00	12.00	15.00	20.00	25.00	30.00	—	—	—	—	—	—	—
24	3.00	5.00	6.00	10.00	12.00	12.00	15.00	—	25.00	—	—	—	—	—
36	2.00	3.00	4.00	6.00	8.00	10.00	12.00	—	15.00	—	—	—	—	—
48	1.60	2.50	3.00	5.00	6.00	8.00	10.00	12.00	12.00	—	—	—	—	—
95	0.80	1.25	1.60	2.50	3.00	4.00	5.00	6.00	8.00	12	15	20	25	—
110	0.75	1.00	1.50	2.00	3.00	3.00	4.00	5.00	7.00	10	12	20	25	30
115	0.60	1.00	1.25	2.00	2.50	3.00	4.00	5.00	7.00	10	12	20	20	30
120	0.60	1.00	1.25	2.00	2.50	3.00	4.00	5.00	6.00	10	12	15	20	30
208	0.40	0.60	0.80	1.00	1.60	2.00	2.00	3.00	4.00	6	8	12	15	20
220	0.30	0.50	0.75	1.00	1.50	1.60	2.00	2.50	3.00	5	7	10	12	20
230	0.30	0.50	0.60	1.00	1.25	1.60	2.00	2.50	3.00	5	7	10	12	20
240	0.30	0.50	0.60	1.00	1.25	1.60	2.00	2.50	3.00	5	6	10	12	15

Note: Encapsulated Transformer Continuous Power Rating (VA) 50-1500 are Glass Fuse, 2000-3000 are H/K Fuse.



Transformers
 Open Core and Coil Transformers
 Machine Tool Applications
 Control
 Wiring Diagrams

Section 14

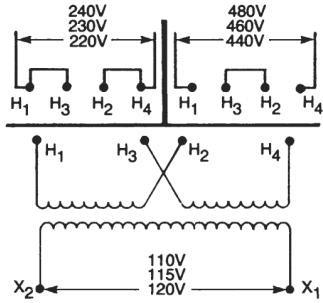


Diagram 1

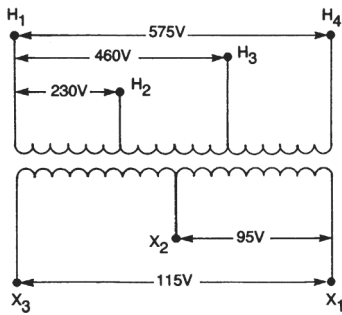


Diagram 2

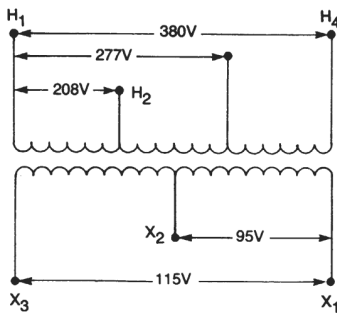


Diagram 3

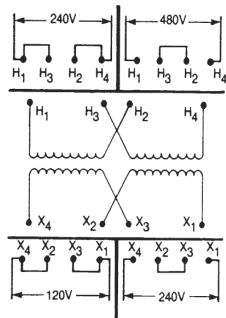


Diagram 4

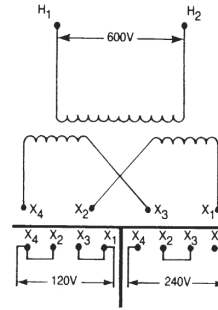


Diagram 5

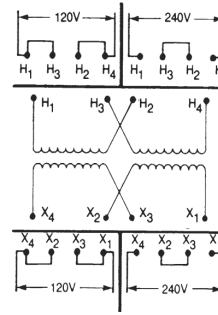


Diagram 6

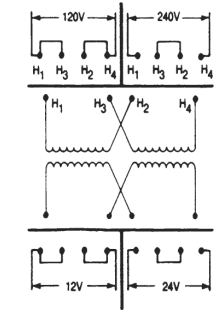


Diagram 7

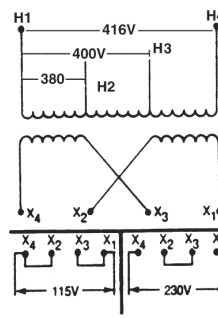


Diagram 8



Transformers

Open Core and Coil Transformers

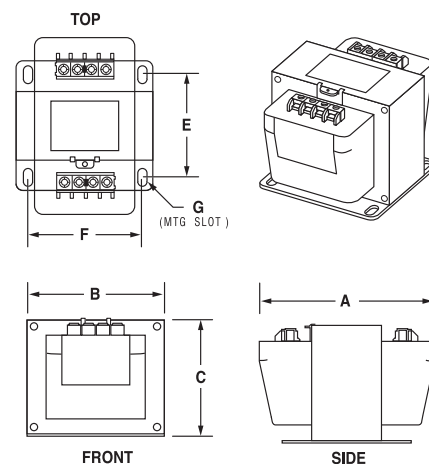
Outlines and Dimensions

6, 8 and 10 Frame

Section 14

Terminal Board Connection Style

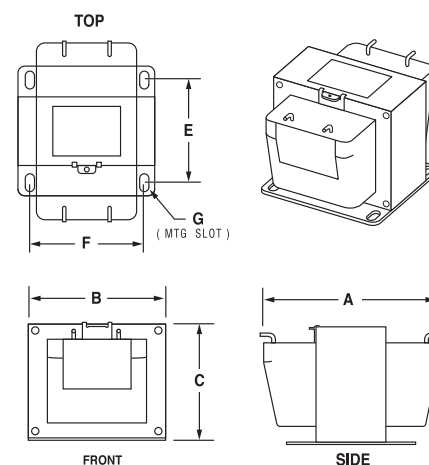
Frame size	KVA	Approx. Net Weight (Lbs.)	A Depth (in.)	B Width (in.)	C Height (in.)	Mounting Depth E (in.)	Mounting Width F (in.)	Mounting Slot (in.)
6100	0.05	2.6	4	3.06	2.68	2.16	2.5	.219 x .750
6125	0.075	3	4.25	3.06	2.68	2.41	2.5	.219 x .750
8100	0.1	3.9	4.12	3.81	3.28	2.16	3.12	.219 x .750
8150	0.15	5.5	4.62	3.81	3.28	2.66	3.12	.219 x .750
8175	0.2	6.3	4.88	3.81	3.28	2.91	3.12	.219 x .750
8200	0.25	7	5.12	3.81	3.28	3.16	3.12	.219 x .750
8250	0.375	8.3	5.62	3.81	3.28	3.66	3.12	.219 x .750
10225	0.5	11.6	5.75	4.56	3.9	3.38	3.75	.297 x .580
12225	0.75	13	5.81	5.31	4.56	3.38	4	.297 x .580
12300	1	17.5	6.56	5.31	4.56	4.13	4	.297 x .580
14225	1.5	29	6.31	6.81	5.81	3.38	5.5	.297 x .580
14300	2	35.5	7.06	6.81	5.81	4.13	5.5	.297 x .580
14475	3	51.5	8.81	6.81	5.81	5.88	5.5	.297 x .580



Terminal Board Connection Style

Leads Out Connection Style

Frame size	KVA	Approx. Net Weight (Lbs.)	A Depth (in.)	B Width (in.)	C Height (in.)	Mounting Depth E (in.)	Mounting Width F (in.)	Mounting Slot (in.)
6100	0.05	2.6	3.25	3.06	2.68	2.16	2.5	.219 x .750
6125	0.075	3	3.5	3.06	2.68	2.41	2.5	.219 x .750
8100	0.1	3.9	3.42	3.81	3.28	2.16	3.12	.219 x .750
8150	0.15	5.5	3.92	3.81	3.28	2.66	3.12	.219 x .750
8175	0.2	6.3	4.18	3.81	3.28	2.91	3.12	.219 x .750
8200	0.25	7	4.42	3.81	3.28	3.16	3.12	.219 x .750
8200	0.3	7	4.42	3.81	3.28	3.16	3.12	.219 x .750
8250	0.375	8.3	4.92	3.81	3.28	3.66	3.12	.219 x .750
10225	0.5	11.6	5.75	4.56	3.9	3.38	3.75	.297 x .580
12225	0.75	13	5.81	5.31	4.56	3.38	4	.297 x .580
12300	1	17.5	6.56	5.31	4.56	4.13	4	.297 x .580
14225	1.5	29	6.31	6.81	5.81	3.38	5.5	.297 x .580
14300	2	35.5	7.06	6.81	5.81	4.13	5.5	.297 x .580
14475	3	51.5	8.81	6.81	5.81	5.88	5.5	.297 x .580



Leads Out Connection Style



Transformers

Open Core and Coil Transformers

CE-Rated

Application

The CE compliant transformer offering developed by GE is of the highest quality. This product is designed to be incorporated into equipment manufactured for sale in the European Community. This product is in conformity with the European Standard: EN 60 742, 1995 per the provisions of the Low Voltage (LV) Directive 73/23/EEC in 1973 as amended by 93/68/EEC in 1995.

The Type "IP" CE offering utilizes all copper windings, which are encapsulated in a hardened epoxy, making the winding impervious to the elements. These designs are rated at 55° C rise with a 40° C ambient. Standard on these designs are touch-proof terminal boards. These provide protection from current carrying terminals for personnel working on the equipment. These designs incorporate customer friendly connection on rugged high-impact molded terminal boards. Besides being CE rated, these designs are both UL and C-UL listed.



CE Compliant Transformer

50/60 Hz

Input Voltage	Output Voltage	KVA	Frame Size	Product Number	List Price GO-80
230/400 Volts	12/24 Volts	0.025	6100	9T58E0020	\$36.00
230/400 Volts	12/24 Volts	0.05	6150	9T58E0021	\$40.00
230/400 Volts	12/24 Volts	0.075	8100	9T58E0023	\$46.00
230/400 Volts	12/24 Volts	0.1	8150	9T58E0024	\$49.00
230/400 Volts	12/24 Volts	0.15	8200	9T58E0025	\$61.00
230/400 Volts	12/24 Volts	0.2	10225	9T58E0026	\$81.00
230/400 Volts	12/24 Volts	0.25	10225	9T58E0027	\$91.00
230/400 Volts	12/24 Volts	0.3	10225	9T58E0028	\$100.00
230/400 Volts	12/24 Volts	0.375	12225	9T58E0029	\$114.00
230/400 Volts	24/48 Volts	0.025	6100	9T58E0060	\$36.00
230/400 Volts	24/48 Volts	0.05	6150	9T58E0061	\$40.00
230/400 Volts	24/48 Volts	0.075	8100	9T58E0063	\$46.00
230/400 Volts	24/48 Volts	0.1	8150	9T58E0064	\$49.00
230/400 Volts	24/48 Volts	0.15	8200	9T58E0065	\$61.00
230/400 Volts	24/48 Volts	0.2	10225	9T58E0066	\$81.00
230/400 Volts	24/48 Volts	0.25	10225	9T58E0067	\$91.00
230/400 Volts	24/48 Volts	0.3	10225	9T58E0068	\$100.00
230/400 Volts	24/48 Volts	0.375	12225	9T58E0069	\$114.00
230/400 Volts	24/48 Volts	0.5	12300	9T58E0071	\$139.00
230/400 Volts	24/48 Volts	0.75	14225	9T58E0073	\$189.00
220/380, 230/400, 240/415 Volts	110/220, 115/230, 120/240 Volts	0.025	6100	9T58E0150	\$36.00
220/380, 230/400, 240/415 Volts	110/220, 115/230, 120/240 Volts	0.05	6150	9T58E0151	\$40.00
220/380, 230/400, 240/415 Volts	110/220, 115/230, 120/240 Volts	0.075	8100	9T58E0153	\$46.00
220/380, 230/400, 240/415 Volts	110/220, 115/230, 120/240 Volts	0.1	8150	9T58E0154	\$49.00
220/380, 230/400, 240/415 Volts	110/220, 115/230, 120/240 Volts	0.15	8200	9T58E0155	\$61.00
220/380, 230/400, 240/415 Volts	110/220, 115/230, 120/240 Volts	0.2	10225	9T58E0156	\$81.00
220/380, 230/400, 240/415 Volts	110/220, 115/230, 120/240 Volts	0.25	10225	9T58E0157	\$91.00
220/380, 230/400, 240/415 Volts	110/220, 115/230, 120/240 Volts	0.3	10225	9T58E0158	\$100.00
220/380, 230/400, 240/415 Volts	110/220, 115/230, 120/240 Volts	0.375	12225	9T58E0159	\$114.00
220/380, 230/400, 240/415 Volts	110/220, 115/230, 120/240 Volts	0.5	12300	9T58E0161	\$139.00
220/380, 230/400, 240/415 Volts	110/220, 115/230, 120/240 Volts	0.75	14225	9T58E0163	\$189.00
220/380, 230/400, 240/415 Volts	110/220, 115/230, 120/240 Volts	0.1	14300	9T58E0164	\$196.00
220/380, 230/400, 240/415 Volts	110/220, 115/230, 120/240 Volts	0.15	14475	9T58E0165	\$253.00

Factory- or Field-Installed Options

Available as an option are two fuse blocks that have fuse covers that provide the touch safety like the terminal blocks. These can be ordered factory-installed or as kits.

In kit form order:

Fuse block for 2 class CC fuses is 9T58E0000G46, **List Price, \$28.00, GO-80.** Fuse block for 2 class CC and 1 Midget fuse is 9T58E0000G47, **List Price, \$42.00, GO-80.**

For factory installation add the G46 or G47 suffix to the transformer product number (example 9T58E0020G47).



Transformers

General Purpose Transformers in Enclosures

Dry-Type/Cased

Isolated
General Purpose
Single-Phase

General Information

The complete family of transformers from GE provide quiet, reliable transformer operation.

All of the dry-type transformers through 1,000 kVA are UL listed under the requirements of Standard 506 and 1561. In addition, each transformer meets the requirements of NEMA ST-20, 1992. Type QB, QMS, and QMS 3 models are C-UL listed.

General-purpose transformers are rated 600 Volts and below for supplying appliance, lighting, and power loads from electrical distribution systems. Standard distribution voltages are 600, 480, and 240 Volts; standard load voltages are 480, 240, 208, and 120 Volts. The transformer is used to obtain the load voltage from the distribution voltage. Since no vaults are required for installation, these transformers can be located right at the load to provide the correct voltage for the application. This eliminates the need for long, costly, low-voltage feeders.



Type QB, .050 kVA-3 kVA, Single-Phase



Type QMS, 5 kVA-25 kVA, Single-Phase

Construction—Types QB, QMS, and QMS 3

Core and coils are contained within a NEMA 3R nonventilated weatherproof enclosure. Type QB, QMS, and QMS 3 units feature encapsulated core and coils.

.050 - 3 kVA Indoor/Outdoor Type QB UL Listed C-UL Listed

Input Voltage	Output Voltage	KVA	Frequency (Hz)	Taps	Wiring Diagram No. ¹	Product Number	List Price GO-90A
240 x 480 Volts, 480 Volts	120/240 Volts	0.05	60 Hz	No taps	1	9T51B0002	\$82.00
240 x 480 Volts	120/240 Volts	0.05	50/60 Hz	No taps	1	9T51B0502	\$88.00
240 x 480 Volts, 480 Volts	120/240 Volts	0.075	60 Hz	No taps	1	9T51B0003	\$90.50
240 x 480 Volts	120/240 Volts	0.075	50/60 Hz	No taps	1	9T51B0503	\$96.50
240 x 480 Volts, 480 Volts	120/240 Volts	0.1	60 Hz	No taps	1	9T51B0004	\$98.50
240 x 480 Volts	120/240 Volts	0.1	50/60 Hz	No taps	1	9T51B0504	\$104.00
240 x 480 Volts, 480 Volts	120/240 Volts	0.15	60 Hz	No taps	1	9T51B0005	\$120.00
240 x 480 Volts	120/240 Volts	0.15	50/60 Hz	No taps	1	9T51B0505	\$126.00
240 x 480 Volts, 480 Volts	120/240 Volts	0.25	60 Hz	No taps	1	9T51B0007	\$141.00
240 x 480 Volts	120/240 Volts	0.25	50/60 Hz	No taps	1	9T51B0507	\$149.00
240 x 480 Volts, 480 Volts	120/240 Volts	0.5	60 Hz	No taps	1	9T51B0008	\$196.00
240 x 480 Volts	120/240 Volts	0.5	50/60 Hz	No taps	1	9T51B0508	\$207.00
240 x 480 Volts, 480 Volts	120/240 Volts	0.75	60 Hz	No taps	1	9T51B0009	\$254.00
240 x 480 Volts	120/240 Volts	0.75	50/60 Hz	No taps	1	9T51B0509	\$269.00
240 x 480 Volts, 480 Volts	120/240 Volts	1	60 Hz	No taps	1	9T51B0010	\$313.00
240 x 480 Volts	120/240 Volts	1	50/60 Hz	No taps	1	9T51B0510	\$334.00
240 x 480 Volts, 480 Volts	120/240 Volts	1.5	60 Hz	No taps	1	9T51B0011	\$382.00
240 x 480 Volts	120/240 Volts	1.5	50/60 Hz	No taps	1	9T51B0511	\$407.00
240 x 480 Volts, 480 Volts	120/240 Volts	2	60 Hz	No taps	1	9T51B0012	\$470.00
240 x 480 Volts	120/240 Volts	2	50/60 Hz	No taps	1	9T51B0512	\$498.00
240 x 480 Volts, 480 Volts	120/240 Volts	3	60 Hz	No taps	1	9T51B0013	\$582.00
240 x 480 Volts	120/240 Volts	3	50/60 Hz	No taps	1	9T51B0513	\$615.00
480 Volts	120/240 Volts	0.25	50/60 Hz	(2) 5% taps below rated primary volts	2	9T51B0547	\$149.00
480 Volts	120/240 Volts	0.5	50/60 Hz	(2) 5% taps below rated primary volts	2	9T51B0548	\$207.00
480 Volts	120/240 Volts	0.75	50/60 Hz	(2) 5% taps below rated primary volts	2	9T51B0549	\$269.00
480 Volts	120/240 Volts	1	60 Hz	(2) 5% taps below rated primary volts	2	9T51B0050	\$332.00
480 Volts	120/240 Volts	1	50/60 Hz	(2) 5% taps below rated primary volts	2	9T51B0550	\$334.00
480 Volts	120/240 Volts	1.5	60 Hz	(2) 5% taps below rated primary volts	2	9T51B0051	\$397.00
480 Volts	120/240 Volts	1.5	50/60 Hz	(2) 5% taps below rated primary volts	2	9T51B0551	\$407.00
480 Volts	120/240 Volts	2	60 Hz	(2) 5% taps below rated primary volts	2	9T51B0052	\$489.00
480 Volts	120/240 Volts	2	50/60 Hz	(2) 5% taps below rated primary volts	2	9T51B0552	\$498.00
480 Volts	120/240 Volts	3	60 Hz	(2) 5% taps below rated primary volts	2	9T51B0053	\$601.00
480 Volts	120/240 Volts	3	60 Hz	(4) 2 1/2% taps: 2 above and 2 below rated primary volts	3	9T51B0135	\$695.00
480 Volts	120/240 Volts	3	50/60 Hz	(2) 5% taps below rated primary volts	2	9T51B0553	\$615.00

¹See page 14-14 for wiring diagrams.



Transformers

General Purpose Transformers in Enclosures

Section 14

Dry-Type/Cased

Isolated

General Purpose

Single-Phase

.050 - 3 kVA Indoor/Outdoor Type QB UL Listed C-UL Listed (Continued)

Input Voltage	Output Voltage	KVA	Frequency (Hz)	Taps	Wiring Diagram No. ¹	Product Number	List Price GO-90A
600 Volts	120/240 Volts	0.05	60 Hz	No taps	5	9T51B0082	\$85.00
600 Volts	120/240 Volts	0.075	60 Hz	No taps	5	9T51B0083	\$94.50
600 Volts	120/240 Volts	0.1	60 Hz	No taps	5	9T51B0084	\$102.00
600 Volts	120/240 Volts	0.1	50/60 Hz	No taps	5	9T51B0584	\$108.00
600 Volts	120/240 Volts	0.15	60 Hz	No taps	5	9T51B0085	\$123.00
600 Volts	120/240 Volts	0.25	60 Hz	No taps	5	9T51B0087	\$154.00
600 Volts	120/240 Volts	0.25	50/60 Hz	No taps	5	9T51B0587	\$164.00
600 Volts	120/240 Volts	0.25	50/60 Hz	(2) 5% taps below rated primary volts	2	9T51B0567	\$179.00
600 Volts	120/240 Volts	0.5	60 Hz	No taps	5	9T51B0088	\$204.00
600 Volts	120/240 Volts	0.5	50/60 Hz	No taps	5	9T51B0588	\$218.00
600 Volts	120/240 Volts	0.5	50/60 Hz	(2) 5% taps below rated primary volts	2	9T51B0568	\$231.00
600 Volts	120/240 Volts	0.75	60 Hz	No taps	5	9T51B0089	\$267.00
600 Volts	120/240 Volts	0.75	50/60 Hz	(2) 5% taps below rated primary volts	2	9T51B0569	\$294.00
600 Volts	120/240 Volts	1	60 Hz	No taps	5	9T51B0090	\$330.00
600 Volts	120/240 Volts	1	60 Hz	(2) 5% taps below rated primary volts	2	9T51B0070	\$347.00
600 Volts	120/240 Volts	1	50/60 Hz	(2) 5% taps below rated primary volts	2	9T51B0570	\$361.00
600 Volts	120/240 Volts	1.5	60 Hz	No taps	5	9T51B0091	\$410.00
600 Volts	120/240 Volts	1.5	60 Hz	(2) 5% taps below rated primary volts	2	9T51B0071	\$420.00
600 Volts	120/240 Volts	1.5	50/60 Hz	(2) 5% taps below rated primary volts	2	9T51B0571	\$445.00
600 Volts	120/240 Volts	2	60 Hz	No taps	5	9T51B0092	\$489.00
600 Volts	120/240 Volts	2	60 Hz	(2) 5% taps below rated primary volts	2	9T51B0072	\$512.00
600 Volts	120/240 Volts	2	50/60 Hz	(2) 5% taps below rated primary volts	2	9T51B0572	\$542.00
600 Volts	120/240 Volts	3	60 Hz	No taps	5	9T51B0093	\$601.00
600 Volts	120/240 Volts	3	60 Hz	(2) 5% taps below rated primary volts	2	9T51B0073	\$655.00
600 Volts	120/240 Volts	3	50/60 Hz	(2) 5% taps below rated primary volts	2	9T51B0573	\$693.00

5 - 25 kVA Indoor/Outdoor Type QMS 115°C Rise UL Listed C-UL Listed

Input Voltage	Output Voltage	KVA	Frequency (Hz)	Taps	Wiring Diagram No. ¹	Product Number	List Price GO-90C
240 x 480 Volts	120/240 Volts	5	60 Hz	No taps	1	9T21B1004G02	\$802.00
240 x 480 Volts, 480 Volts	120/240 Volts	5	50/60 Hz	No taps	1	9T21B1055G02	\$890.00
240 x 480 Volts	120/240 Volts	7.5	60 Hz	No taps	1	9T21B1005G02	\$1113.00
240 x 480 Volts, 480 Volts	120/240 Volts	7.5	50/60 Hz	No taps	1	9T21B1056G02	\$1241.00
240 x 480 Volts	120/240 Volts	10	60 Hz	No taps	1	9T21B1006G02	\$1426.00
240 x 480 Volts, 480 Volts	120/240 Volts	10	50/60 Hz	No taps	1	9T21B1057G02	\$1575.00
240 x 480 Volts	120/240 Volts	15	60 Hz	No taps	1	9T21B9103	\$1943.00
240 x 480 Volts, 480 Volts	120/240 Volts	15	50/60 Hz	No taps	1	9T21B9133	\$2159.00
240 x 480 Volts	120/240 Volts	25	60 Hz	No taps	1	9T21B9104	\$2894.00
240 x 480 Volts, 480 Volts	120/240 Volts	25	50/60 Hz	No taps	1	9T21B9134	\$3186.00
480 Volts	120/240 Volts	5	60 Hz	(2) 5% taps below rated primary volts	2	9T21B1007G02	\$821.00
480 Volts	120/240 Volts	5	60 Hz	(4) 2 1/2% taps: 2 above and 2 below rated primary volts	3	9T21B1013G02	\$909.00
480 Volts	120/240 Volts	7.5	60 Hz	(2) 5% taps below rated primary volts	2	9T21B1008G02	\$1128.00
480 Volts	120/240 Volts	7.5	60 Hz	(4) 2 1/2% taps: 2 above and 2 below rated primary volts	3	9T21B1014G02	\$1247.00
480 Volts	120/240 Volts	10	60 Hz	(2) 5% taps below rated primary volts	2	9T21B1009G02	\$1451.00
480 Volts	120/240 Volts	10	60 Hz	(4) 2 1/2% taps: 2 above and 2 below rated primary volts	3	9T21B1015G02	\$1583.00
480 Volts	120/240 Volts	15	60 Hz	(2) 5% taps below rated primary volts	2	9T21B9105	\$1966.00
480 Volts	120/240 Volts	15	60 Hz	(4) 2 1/2% taps: 2 above and 2 below rated primary volts	3	9T21B9109	\$2159.00
480 Volts	120/240 Volts	25	60 Hz	(2) 5% taps below rated primary volts	2	9T21B9106	\$2917.00
480 Volts	120/240 Volts	25	60 Hz	(4) 2 1/2% taps: 2 above and 2 below rated primary volts	3	9T21B9110	\$3186.00
600 Volts	120/240 Volts	5	60 Hz	No taps	5	9T21B1016G02	\$859.00
600 Volts	120/240 Volts	5	60 Hz	(2) 5% taps below rated primary volts	2	9T21B1019G02	\$890.00
600 Volts	120/240 Volts	7.5	60 Hz	No taps	5	9T21B1017G02	\$1189.00
600 Volts	120/240 Volts	7.5	60 Hz	(2) 5% taps below rated primary volts	2	9T21B1020G02	\$1224.00
600 Volts	120/240 Volts	10	60 Hz	No taps	5	9T21B1018G02	\$1512.00
600 Volts	120/240 Volts	10	60 Hz	(2) 5% taps below rated primary volts	2	9T21B1021G02	\$1420.00
600 Volts	120/240 Volts	15	60 Hz	No taps	5	9T21B9111	\$2060.00
600 Volts	120/240 Volts	15	60 Hz	(2) 5% taps below rated primary volts	2	9T21B9113	\$2134.00
600 Volts	120/240 Volts	25	60 Hz	No taps	5	9T21B9112	\$3081.00
600 Volts	120/240 Volts	25	60 Hz	(2) 5% taps below rated primary volts	2	9T21B9114	\$3196.00

¹See page 14-14 for wiring diagrams.



Transformers

General Purpose Transformers in Enclosures

Dry-Type/Cased

Section 14

Isolated
General Purpose
Single-Phase

.050 - 3 kVA Indoor/Outdoor Type QB UL Listed C-UL Listed

Input Voltage	Output Voltage	KVA	Frequency (Hz)	Taps	Wiring Diagram No. ¹	Product Number	List Price GO-90A
120 x 240 Volts	120/240 Volts	0.05	60 Hz	No taps	1	9T51B0022	\$93.50
120 x 240 Volts	120/240 Volts	0.1	60 Hz	No taps	1	9T51B0024	\$110.00
120 x 240 Volts	120/240 Volts	0.15	60 Hz	No taps	1	9T51B0025	\$137.00
120 x 240 Volts	120/240 Volts	0.25	60 Hz	No taps	1	9T51B0027	\$158.00
120 x 240 Volts	120/240 Volts	0.5	60 Hz	No taps	1	9T51B0028	\$221.00
120 x 240 Volts	120/240 Volts	0.75	60 Hz	No taps	1	9T51B0029	\$281.00
120 x 240 Volts	120/240 Volts	1	60 Hz	No taps	1	9T51B0030	\$355.00
120 x 240 Volts	120/240 Volts	1.5	60 Hz	No taps	1	9T51B0031	\$437.00
120 x 240 Volts	120/240 Volts	2	60 Hz	No taps	1	9T51B0032	\$533.00
120 x 240 Volts	120/240 Volts	3	60 Hz	No taps	1	9T51B0033	\$645.00
208 Volts	120/240 Volts	0.5	60 Hz	No taps	4	9T51B0158	\$218.00
208 Volts	120/240 Volts	0.75	60 Hz	No taps	4	9T51B0159	\$333.93
208 Volts	120/240 Volts	1	60 Hz	No taps	4	9T51B0160	\$303.00
208 Volts	120/240 Volts	2	60 Hz	No taps	4	9T51B0156	\$533.00
208 Volts	120/240 Volts	3	60 Hz	No taps	4	9T51B0157	\$645.00

5 - 25 kVA Indoor/Outdoor Type QMS 115°C Rise UL Listed C-UL Listed

Input Voltage	Output Voltage	KVA	Frequency (Hz)	Taps	Wiring Diagram No. ¹	Product Number	List Price GO-90C
120 x 240 Volts	120/240 Volts	5	60 Hz	No taps	1	9T21B1001G02	\$964.00
120 x 240 Volts	120/240 Volts	7.5	60 Hz	No taps	1	9T21B1002G02	\$1342.00
120 x 240 Volts	120/240 Volts	10	60 Hz	No taps	1	9T21B1003G02	\$1712.00
120 x 240 Volts	120/240 Volts	15	60 Hz	No taps	1	9T21B9101	\$2262.00
120 x 240 Volts	120/240 Volts	25	60 Hz	No taps	1	9T21B9102	\$3018.00
208 Volts	120/240 Volts	5	60 Hz	No taps	4	9T21B1028G02	\$964.00
208 Volts	120/240 Volts	7.5	60 Hz	No taps	4	9T21B1029G02	\$1342.00
208 Volts	120/240 Volts	10	60 Hz	No taps	4	9T21B1030G02	\$1712.00
208 Volts	120/240 Volts	15	60 Hz	No taps	4	9T21B9119	\$2262.00
208 Volts	120/240 Volts	25	60 Hz	No taps	4	9T21B9120	\$3018.00

.050 - 3 kVA Indoor/Outdoor Type QB UL Listed C-UL Listed

Input Voltage	Output Voltage	KVA	Frequency (Hz)	Taps	Wiring Diagram No. ¹	Product Number	List Price GO-90A
277 Volts	120/240 Volts	0.25	60 Hz	(2) 5% taps below rated primary volts	2	9T51B0187	\$166.00
277 Volts	120/240 Volts	0.5	60 Hz	(2) 5% taps below rated primary volts	2	9T51B0188	\$239.00
277 Volts	120/240 Volts	0.75	60 Hz	(2) 5% taps below rated primary volts	2	9T51B0189	\$311.00
277 Volts	120/240 Volts	1	60 Hz	(2) 5% taps below rated primary volts	2	9T51B0190	\$389.00
277 Volts	120/240 Volts	1.5	60 Hz	(2) 5% taps below rated primary volts	2	9T51B0191	\$475.00
277 Volts	120/240 Volts	2	60 Hz	(2) 5% taps below rated primary volts	2	9T51B0192	\$578.00
277 Volts	120/240 Volts	3	60 Hz	(2) 5% taps below rated primary volts	2	9T51B0193	\$659.00
380/400/416 Volts	120/240 Volts	0.05	50/60 Hz	No taps	2	9T51B0162	\$97.50
380/400/416 Volts	120/240 Volts	0.15	50/60 Hz	No taps	2	9T51B0165	\$142.00
380/400/416 Volts	120/240 Volts	0.25	50/60 Hz	No taps	2	9T51B0167	\$164.00
380/400/416 Volts	120/240 Volts	0.5	50/60 Hz	No taps	2	9T51B0168	\$231.00
380/400/416 Volts	120/240 Volts	0.75	50/60 Hz	No taps	2	9T51B0169	\$302.00
380/400/416 Volts	120/240 Volts	1	50/60 Hz	No taps	2	9T51B0170	\$376.00
380/400/416 Volts	120/240 Volts	1.5	50/60 Hz	No taps	2	9T51B0171	\$464.00
380/400/416 Volts	120/240 Volts	2	50/60 Hz	No taps	2	9T51B0172	\$563.00
380/400/416 Volts	120/240 Volts	3	50/60 Hz	No taps	2	9T51B0173	\$645.00

5 - 25 kVA Indoor/Outdoor Type QMS 115°C Rise UL Listed C-UL Listed

Input Voltage	Output Voltage	KVA	Frequency (Hz)	Taps	Wiring Diagram No. ¹	Product Number	List Price GO-90C
277 Volts	120/240 Volts	5	60 Hz	(2) 5% taps below rated primary volts	2	9T21B1046G02	\$964.00
277 Volts	120/240 Volts	7.5	60 Hz	(2) 5% taps below rated primary volts	2	9T21B1047G02	\$1342.00
277 Volts	120/240 Volts	10	60 Hz	(2) 5% taps below rated primary volts	2	9T21B1048G02	\$1712.00
277 Volts	120/240 Volts	15	60 Hz	(2) 5% taps below rated primary volts	2	9T21B9143	\$2262.00
277 Volts	120/240 Volts	25	60 Hz	(2) 5% taps below rated primary volts	2	9T21B9144	\$3018.00

¹See page 14-14 for wiring diagrams.



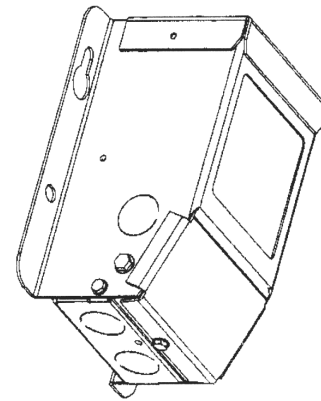
Transformers

General Purpose Transformers in Enclosures

Section 14

Type QB

Isolated
CE-Rated



CE Compliant Transformer

Safety Isolation 50/60 Hz

Input Voltage	Output Voltage	KVA	Frame Size	Depth (in)	Width (in)	Height (in)	Product Number	List Price GO-90A
230/400 Volts	12/24 Volts	0.075	8	4.25	6.12	7.38	9T51E0023	\$105.00
230/400 Volts	12/24 Volts	0.15	8	4.25	6.12	7.38	9T51E0025	\$145.00
230/400 Volts	12/24 Volts	0.25	10	4.88	6.88	8.35	9T51E0027	\$225.00

Isolation 50/60 Hz

Input Voltage	Output Voltage	KVA	Frame Size	Depth (in)	Width (in)	Height (in)	Product Number	List Price GO-90A
230/400 Volts	24/48 Volts	0.2	10	4.88	6.88	8.35	9T51E0066	\$210.00
230/400 Volts	24/48 Volts	0.3	10	4.88	6.88	8.35	9T51E0068	\$240.00
230/400 Volts	24/48 Volts	0.75	14	6.72	9.38	11.12	9T51E0073	\$407.00

Isolation (Triple-Rated) 50/60 Hz

Input Voltage	Output Voltage	KVA	Frame Size	Depth (in)	Width (in)	Height (in)	Product Number	List Price GO-90A
220/380, 230/400, 240/415 Volts	110/220, 115/230, 120/240 Volts	0.1	8	4.25	6.12	7.38	9T51E0154	\$128.00
220/380, 230/400, 240/415 Volts	110/220, 115/230, 120/240 Volts	0.15	8	4.25	6.12	7.38	9T51E0155	\$145.00
220/380, 230/400, 240/415 Volts	110/220, 115/230, 120/240 Volts	0.2	10	4.88	6.88	8.35	9T51E0156	\$210.00
220/380, 230/400, 240/415 Volts	110/220, 115/230, 120/240 Volts	0.25	10	4.88	6.88	8.35	9T51E0157	\$225.00
220/380, 230/400, 240/415 Volts	110/220, 115/230, 120/240 Volts	0.3	10	4.88	6.88	8.35	9T51E0158	\$240.00
220/380, 230/400, 240/415 Volts	110/220, 115/230, 120/240 Volts	0.375	12	5.5	7.88	9.62	9T51E0159	\$275.00
220/380, 230/400, 240/415 Volts	110/220, 115/230, 120/240 Volts	0.5	12	5.5	7.88	9.62	9T51E0161	\$335.00
220/380, 230/400, 240/415 Volts	110/220, 115/230, 120/240 Volts	0.1	14	6.72	9.38	11.12	9T51E0164	\$498.00
220/380, 230/400, 240/415 Volts	110/220, 115/230, 120/240 Volts	0.15	14	6.72	9.38	11.12	9T51E0165	\$615.00

For additional voltage requirements and available QMS single-phase CE designs, contact your GE Sales Office or GE authorized distributor.



Transformers

General Purpose Transformers in Enclosures

Dry-Type/Cased

Dimensions and Weights

Type QB Single-Phase 60, 50/60 Hz

KVA	Height (in)	Width (in)	Depth (in)	Approx. Net Weight (lbs.)
0.05	6.38	5.13	3.25	6
0.075	6.38	5.13	3.25	6
0.1	6.38	5.13	3.25	6
0.15	7.38	6.13	4.25	10
0.25	7.38	6.13	4.25	10
0.5	8.38	6.88	4.88	16
0.75	9.63	7.88	5.5	25
1	9.63	7.88	5.5	25
1.5	11.13	9.38	6.72	40
2	11.13	9.38	6.72	40
3	11.13	9.38	6.72	60

Type QMS Single-Phase 60 Hz 115°C Rise

KVA	Height (in)	Width (in)	Depth (in)	Approx. Net Weight (lbs.)
5	14.5	10.75	11.16	100
7.5	17.12	10.75	11.16	180
10	17.10	12.16	12.72	180
15	17.10	12.16	12.72	230
25	19.84	16.01	15.68	400

Type QMS Single-Phase 50/60 Hz 115°C Rise

KVA	Height (in)	Width (in)	Depth (in)	Approx. Net Weight (lbs.)
5	14.5	10.75	11.16	115
7.5	17.12	10.75	11.16	174
10	17.10	12.16	12.72	230
15	17.10	12.16	12.72	265
25	19.84	16.01	15.68	440

Conversion Chart

Decimal	Fraction
.13	1/8
.38	3/8
.63	5/8
.88	7/8



Transformers
General Purpose Transformers in Enclosures
Dry-Type/Cased
 Wiring Diagrams

Section 14

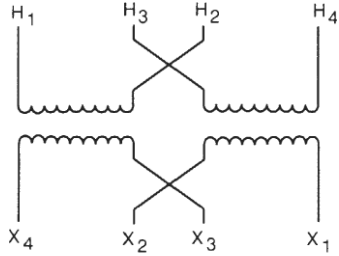


Diagram 1

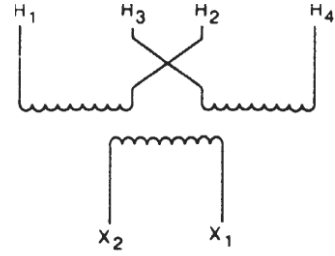


Diagram 4

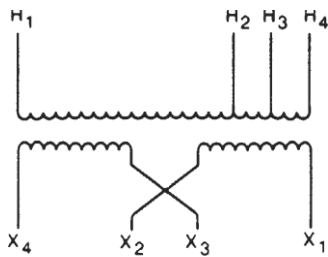


Diagram 2

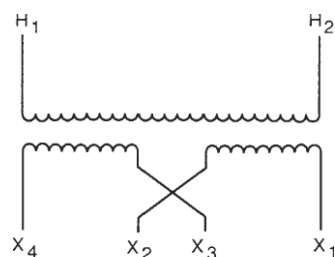


Diagram 5

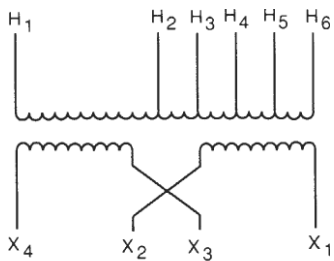


Diagram 3

