

LED Low Profile Retro Fit Disk

Value, Quality, Energy Efficient

Type:	
Catalog #:	
Project:	
Comments:	
Prepared by:	

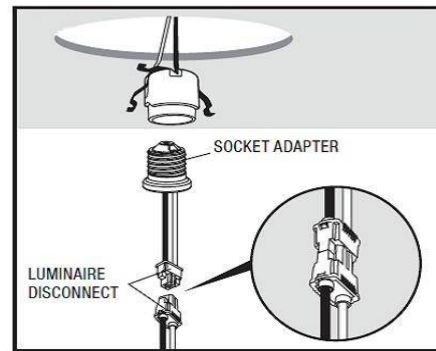
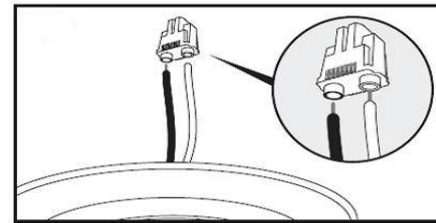
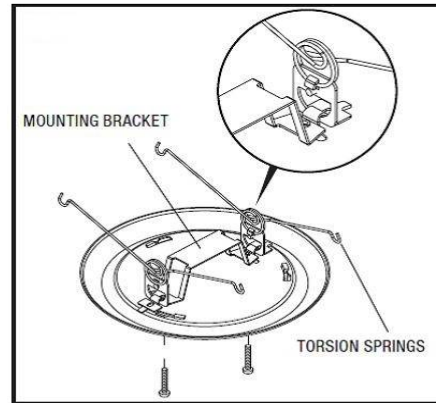


Design Features

- **Energy Star Listed**
- Mounts to most 5" and 6" recessed down lights
- 120V LED module with integrated IC chip imbedded on the PC board.
- WET Location Listed
- 10-100% dimmable driver. Driver is compatible with 120V electronic low/line-voltage TRIAC dimmers
- Finishes: White (WH), Nickel (BN) or Black (BK)*
- Recommended max fixture load is 30 fixtures per 600W dimmer switch
- DIA: 7.4" H: 1.25"
- 50,000 hours, 5 Year Limited Warranty

Description

- LED recessed retro fit disk light with integrated driver on PC board. Designed for use in most 5" or 6" down lights.



CATALOG #	WATTAGE	LUMENS	CCT	INPUT VOLTAGE	DIMMING	CRI
8556WH-R	15	936	3000	120V	Triac 120V	82
8556BN-R	15	936	3000	120V	Triac 120V	82
8556BK-R	15	936	3000	120V	Traic 120V	82
8556WH-90-3K-R	15	936	3000	120V	Triac 120V	90
8556WH-90-4K-R	15	936	4000	120V	Triac 120V	90