

SHAFT Fabricated from high-grade structural steel tube, the shaft conforms to ASTM specifications. It meets or exceeds minimum yield strength of 55,000 PSI. Wall thickness is either 11 GA (0.120 wall) or 7 GA (0.180 wall) as specified (see ordering information). A reinforced hand hole is furnished with cover.

BASE PLATE Fabricated from structural-quality, hot rolled steel, the base plate meets or exceeds minimum yield strength of 36,000 PSI. Bolt holes are slotted to provide flexibility on either side of bolt circle centerline.

ANCHORAGE Anchor bolts are made of hot rolled steel bar, having a minimum yield strength of 50,000 PSI. Bolts have a 90° bend on one end and are threaded on the other end. Bolts are galvanized 12" from the top of the thread and are furnished with two nuts and two washers.

BASE COVER ABS plastic is supplied. The two-piece cover conceals base.

FINISHES The SSP Series is available in a choice of three finishes: galvanized, electrostatically applied red oxide prime coat over two-stage cleaning process, or optional color powder coating (please specify color). Powder coat colors offer a finish that is resistant to chemicals, corrosion and abrasion, which will enhance the pole's aesthetic appeal and service life.

FIXTURE MOUNTING Two sides of the SSP Series poles are pre-drilled. Optional 2-3/8" tenon and other mounting brackets are also available. See next page for mounting codes and mounting hole detail.

Square Steel Pole Ordering Information

Pole Height	CATALOG NUMBER	Pole EPA Ratings Base Wind Velocity (MPH) With 1.3 Wind Gust Factor			Maximum Fixture Weight (lbs) @ 80MPH	Weight (lbs)
		80	90	100		
4" SQUARE - 11 GAUGE						
10'	SSP-400Q100-(a)(b)	30.6	23.8	18.9	765	75
12'	SSP-400Q120-(a)(b)	24.4	18.8	14.8	610	90
14'	SSP-400Q140-(a)(b)	19.9	15.1	11.7	498	100
16'	SSP-400Q160-(a)(b)	15.9	11.8	8.9	398	115
18'	SSP-400Q180-(a)(b)	12.6	9.2	6.7	315	125
20'	SSP-400Q200-(a)(b)	9.6	6.7	4.5	240	140
25'	SSP-400Q250-(a)(b)	4.8	2.6	1	150	170
4" SQUARE - 7 GAUGE						
25'	SSP-400W250-(a)(b)	10.8	7.7	5.4	270	245
5" SQUARE - 11 GAUGE						
20'	SSP-500Q200-(a)(b)	17.7	12.7	9.4	443	185
25'	SSP-500Q250-(a)(b)	9.8	6.3	3.7	245	225
30'	SSP-500Q300-(a)(b)	4.7	2	n/a	150	265
5" SQUARE - 7 GAUGE						
20'	SSP-500W200-(a)(b)	28.1	21.4	16.2	703	265
25'	SSP-500W250-(a)(b)	18.5	13.3	9.5	463	360
30'	SSP-500W300-(a)(b)	10.7	6.7	3.9	267	380
35'	SSP-500W350-(a)(b)	5.9	n/a	2.5	150	740
6" SQUARE - 7 GAUGE						
30'	SSP-600W300-(a)(b)	19	13.2	9	475	520
35'	SSP-600W350-(a)(b)	12.4	7.6	4.2	310	540
40'	SSP-600W400-(a)(b)	7.2	3	n/a	180	605

Other sizes available upon request.

POLE FINISH (A)

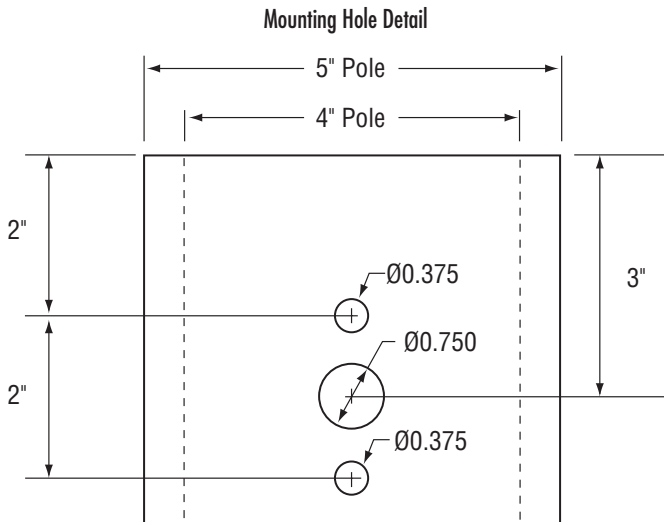
P = Prime BZ = Bronze BK = Black GLV = Galvanized

Mounting Code (b) See detail next page.



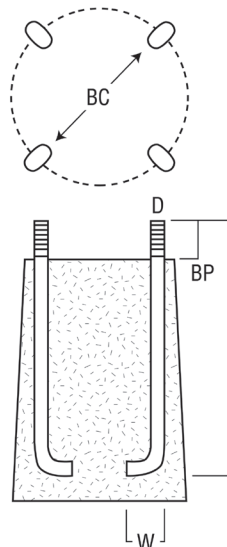
Square Steel Pole Ordering Information

MOUNTING CODE (B)	
<i>Options</i>	
2 = 2-3/8" Tenon (SPB14 or SPB15 can be used when tenon unavailable)	
DM10	= One Fixture - Direct Mount
DM290	= Two Fixtures @ 90° - Direct Mount
DM2180	= Two Fixtures @ 180° - Direct Mount
DM390	= Three Fixtures @ 90° - Direct Mount
DM490	= Four Fixtures @ 90° - Direct Mount
<i>Accessories</i>	
SPB14	= 2-3/8" Retrofit Tenon for 4" Pole
SPB15	= 2-3/8" Retrofit Tenon for 5" Pole
RTA3120	2-3/8" Tenon Mount for 4" Pole (Requires SPB14)



Hole pattern on two sides

BC = Bolt Circle Diameter
 BP = Bolt Projection (6" of thread)
 D = Anchor Bolt Diameter
 L = Anchor Bolt Length
 W = Anchor Bolt Width



Mountings

	One Fixture Ordering Code DM10
	Two Fixtures 90° Ordering Code DM290
	Two Fixtures 180° Ordering Code DM2180
	Three Fixtures 90° Ordering Code DM390
	Four Fixtures 90° Ordering Code DM490
	2-3/8" Tenon Mount for 4" Pole (11 gauge only) Ordering Code SPB14
	2-3/8" Tenon Mount for 5" Pole (11 gauge only) Ordering Code SPB15
	Three Fixtures 120° Ordering Code RTA3120 (Requires SPB14 Adaptor)