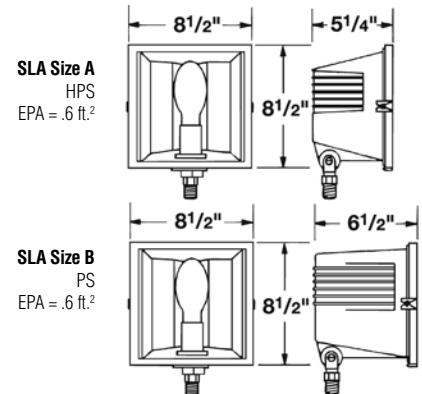


SLA Series Mini-Flood

Specifications

- The SLA Series Mini-Flood is designed for general purpose floodlighting applications
- One piece precision die cast aluminum housing with Duraplex II bronze polyester powder
- Die cast aluminum lens frame is fully gasketed and hinged to body for ease of re-lamping
- High temperature and shock resistant tempered glass lens
- Unit can be aimed above and below horizontal. Serrated teeth lock arm mount unit into position
- HPS sockets are pulse rated for 4KV
- Three piece anodized aluminum reflector for wide beam distribution, NEMA 7 x 7
- Fixtures available with 1/2" arm mount or optional surface mount, order SLW10



Ordering Information

Part Number	Description	Wattage	Source	Ballast	Base	Voltage
SLA101MAL-6 (Size B)	Mini-Flood Dual Voltage 100w MH w/Lamp	100	MH	HX-HPF	Medium	120/277
SLA101NLXL-1 (Size A)	Mini-Flood 120v 100w HPS w/Lamp	100	HPS	NPF-Reactor	Medium	120
SLA150PMAL-6 (Size B)	Mini-Flood Dual Voltage 150w PS w/Lamp	150	PS MH	HX-HPF	Medium	120/277
SLA151NLXL-1 (Size A)	Mini-Flood 120v 150w HPS w/Lamp	150	HPS	NPF-Reactor	Medium	120
SLA71MAL-6 (Size B)	Mini-Flood Dual Voltage 70w MH w/Lamp	70	MH	HX-HPF	Medium	120/277
SLA71NLXL-1 (Size A)	Mini-Flood 120v 70w HPS w/Lamp	70	HPS	HX-HPF	Medium	120

Accessories

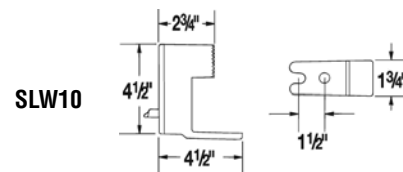
SL552*-Lexan® shield

TL550*-Wire guard

SLW10-Surface adapter to convert 1/2" arm to surface mount (see below)

SLA552-Replacement lens kit

9010126-Tamper proof screws (2 per)



*SL552 & TL550 cannot be used together



SLA Mini Flood with SL552 shield