

GE
Lighting

Roadway Lighting

M-400A Powr/Door™ with Cutoff Optics (MDCA & MDCL)



imagination at work

Product Features

From HID to LED, GE continues to push Roadway Lighting to new heights. Recognized for the highest quality and reliability in street, highway, parkway, and commercial applications, GE offers a wide selection of styles to meet the lighting needs of municipalities, utilities, DOT customers and more.

Applications

- For street, highway or parking lot lighting

Housing

- Die-cast aluminum housing.
- External paddle type stainless steel bail latch

Finish

- Polyester powder gray paint finish

Ratings

- / listed unit available

Mounting

- Universal two or four-bolt slipfitter
- 2 in. pipe mounting only with MDRA

Reflectors

- Standardized reflector
- ALGLAS™ finish on reflector

Unique Features

- Plug-in ignitor standard
- Minimum start -30°F
- Filtered optics
- Lamp not included
- “Dead back” tunnel type FRP terminal board
- No-tool PE receptacle
- True 90° cutoff – no light above 90° (meets RP8-2000 for full cutoff) with flat glass
- Powr/Module ballast assembly

Ordering Number Logic

M-400A Powr/Door™ with Cutoff Optics (MDCA & MDCL)



PROD. ID	WATTAGE	LIGHT SOURCE	VOLTAGE	BALLAST TYPE SELECTION	PE FUNCTION	IGNITOR MOUNTING	LENS TYPE	IES DISTRIBUTION TYPE	FILTER	OPTIONS
MDCA = M-400A with Cutoff* 4-Bolt Slipfitter	10 = 100 15 = 150 (55V) 17 = 175 20 = 200 24 = 250/400 25 = 250 31 = 310	S = HPS Standard: Lamp not included.	60Hz 0 = 120/208/240/277 Multivolt 1 = 120 2 = 208 3 = 240 4 = 277 5 = 480 7 = 120X240 8 = 240V Ballast 120V PE Receptacle not reconnectable D = 347 F = 120X347 T = 220 W = 230 50Hz 6 = 220 R = 230 Y = 240 NOTE: Dual voltage connected for lower wattage	See Ballast Selection Table A = Autoreg H = HPF Reactor or Lag M = Mag-Reg N = NPF Reactor or Lag P = CWI with Grounded Socket Shell	1 =None 2 =PE Receptacle NOTE: Receptacle connected same voltage as unit except as noted. Order PE Control separately.	2 = Plug-in base and Ignitor	A = Acrylic Clear Globe (250 watt Maximum) F = Flat Glass* G = Shallow Glass Globe L = Polycarbonate Clear Globe (250 watt) HPS only * = Previously IESNA Full Cutoff Optics	See Photometric Selection Table S = Short M = Medium C = Cutoff* 1 = Type I 2 = Type II 3 = Type III * = Previously IESNA Full Cutoff Optics	1 = Fiber gasket 2 = Charcoal with elastomer gasket	F = Fusing (Not available with multivolt or dual voltage) J = Line Surge Protector, Expulsion Type (UL not available) N = Meets proposed ANSI C136.31 requirements for Bridge and Underpass Vibration U = UL listed glass lens (60Hz only)
MDCL = M-400A with Cutoff* 2-Bolt Slipfitter	32 = 320 35 = 350 40 = 400 NOTE: Dual wattage connected for lower wattage									
* = Previously IESNA Full Cutoff Optics										

ALL METAL HALIDE VERSIONS AND THEIR ASSOCIATED OPTIONS ARE NO LONGER AVAILABLE EFFECTIVE JANUARY 1, 2017

Ballast Selection Table

Wattage	Light Source	Ballast Type/Voltage 60Hz										Ballast Type/Voltage 50Hz			
		Multivolt	120	208	240	277	480	120X240	347**	120X347	240/120 PE R	220	230	220	230
150 (55V)	HPS	H,N,A	G,H,M,N	G,M	G,M	G,M	G,M	G,H,M,N	G*,H,M*,N	G,M	N/A	N/A	N/A	N/A	N/A
200	HPS	A,M,P	A,G,H,M,N,P	A,G,H,M,N,P	A,G,H,M,N,P	A,G,M,P	A,G,M	A,G,M,P	N/A	A,G,H,M,N	N/A	H	N/A	N/A	N/A
250	HPS	A,M,P	A,G,H,M,N,P	A,G,H,M,N,P	A,G,H,M,N,P	A,G,M,P	A,G,M,P	A,M,P	A,M,P	A,G,H,M,N	A,H	H	A,H,M,N	H	M
250/400	HPS	A	A	A	A	A	A	N/A	N/A	N/A	N/A	N/A	N/A	N/A	N/A
310	HPS	A,M	A,G,M	A,G,H,M,N	A,G,H,M,N	A,G,M	A,G,M	A,G,M	N/A	A,G,H,M,N	N/A	H	N/A	N/A	N/A
400	HPS	A,M	A,G,M	A,G,H,M,N	A,G,H,M,N	A,G,M	A,G,M	A,G,M	A,G,M	A,G,H,M,N	H,A,N	H	A,H,M,N	N/A	A,H,M

NOTE: N/A = Not available. *Not available in 120 X 347. C/F = Contact Manufacturer

Photometric Selection Table

CLEAR REFRACTORS.
All light sources are clear.

Wattage	Light Source	IES Distribution Type Photometric Curve Number 35-								Polycarbonate
		Flat Glass "F"				Sag Glass "G"				
		MC2	MC3	MC1	SC2	SC3	MC2	MC3		
150 (55V)	HPS	450386	450387	N/A	N/A	N/A	450547	450546	C/F	
200-400	HPS	451001	451002	N/A	450101	450102	451003	451004	451045** MC3	

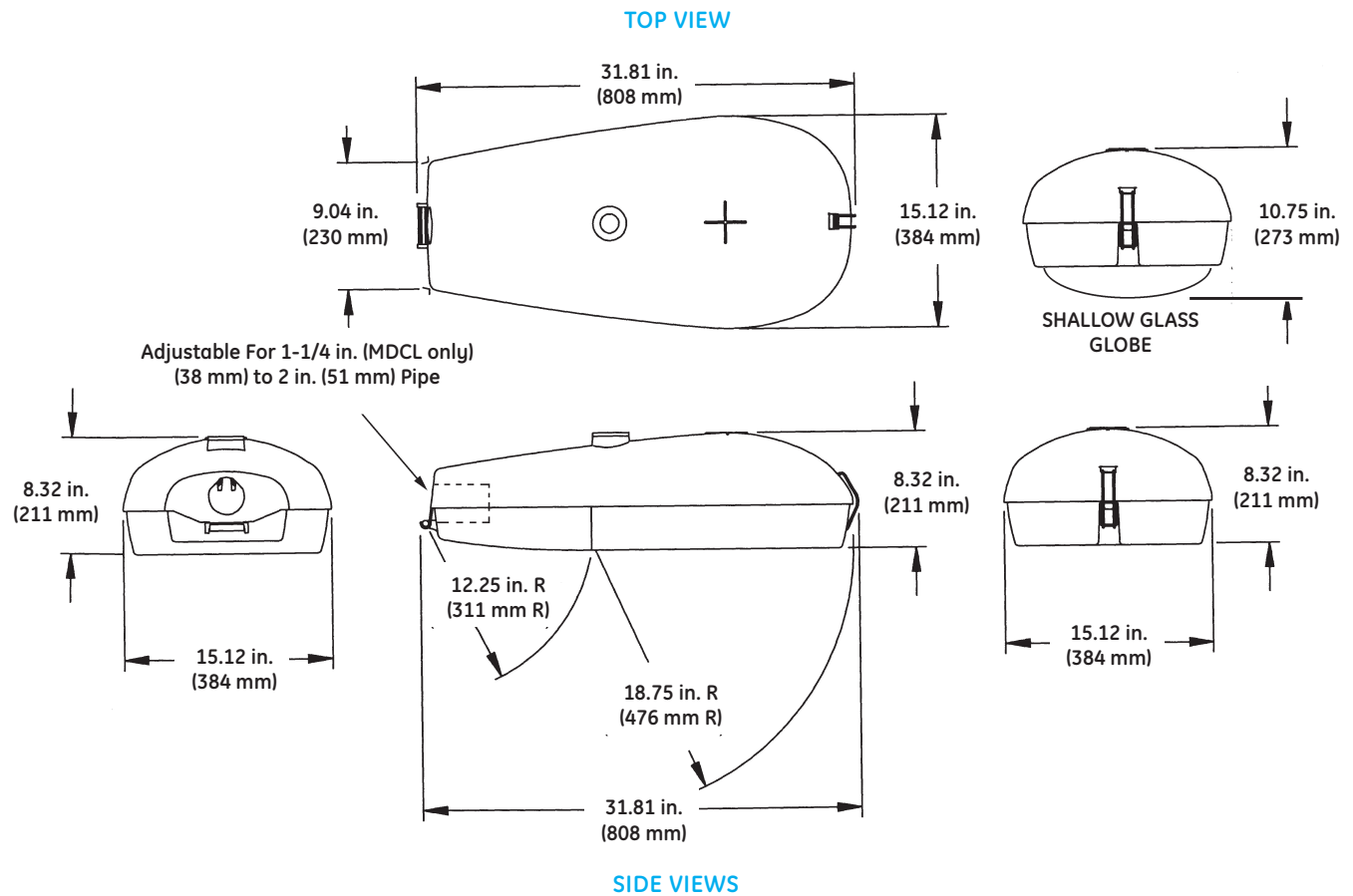
NOTE: N/A = Not Available C/F = Contact Manufacturer *Requires the use of ED-28 Lamp **250 watts maximum

MDCA – Suggested Catalog Ordering Numbers

Catalog Number	Wattage	Light Source	Voltage (60 Hz)	Ballast Type	Refractor Type	Photometric Distribution
MDCA250A22FMC21	250	HPS	Multivolt	Auto-Regulator	Glass	MC2
MDCA400A22FMC31	400	HPS	Multivolt	Auto-Regulator	Glass	MC3

All GE suggested catalog ordering numbers come with PE receptacle. PE control must be ordered separately. Order and install SCCL-PECTL if no PE is desired. Multivolt ballasts can be for either 120, 208, 240, or 277 volt incoming power supply.

Product Dimensions



- | | |
|-------------|---|
| DATA | <ul style="list-style-type: none"> • Approximate Net Weight: 33-39 lbs (15-19 kgs) • Effective Projected Area: 1.1 sq. ft. max. (0.1 sq. M max.) • Suggested Mounting Height: 30-50 ft. (9-15 M) |
|-------------|---|



www.gelighting.com

GE and the GE Monogram are trademarks of the General Electric Company. All other trademarks are the property of their respective owners. Information provided is subject to change without notice. All values are design or typical values when measured under laboratory conditions. GE Lighting and GE Lighting Solutions, LLC are businesses of the General Electric Company. © 2017 GE.