

**12/24VDC LED ELECTRONIC 0-10V
DIMMABLE CLASS 2 POWER
SUPPLY**

by

GM Lighting

Project: _____

Type: _____

Location: _____

Contact Phone: _____

PRODUCT DESCRIPTION

Hardwire 12VDC or 24VDC LED dimming power supply that works with 0-10v control wall mount dimmer with on/off switch.

PRODUCT SPECIFICATIONS

Construction: Transformer is encapsulated in all aluminum construction NEMA 3 enclosure. Wiring compartment has 6 knockouts. Removable cover for wiring compartment is secured in place by screws. Black powder coated.

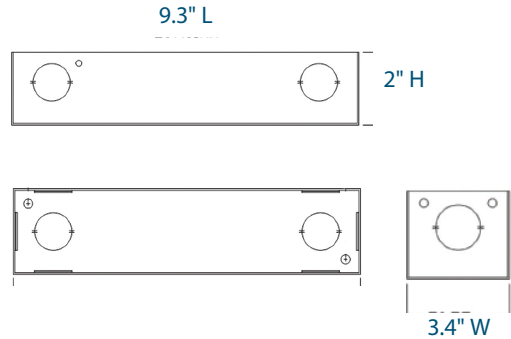
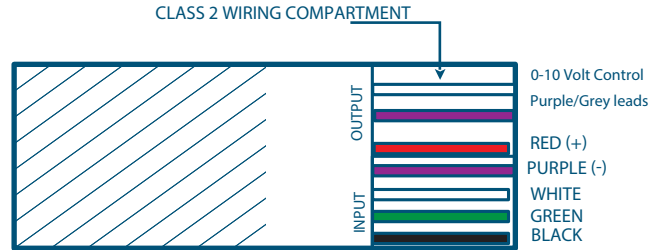
Electrical: Thermal class B-130C. Input leads are 18 AWG. Output leads are 14 AWG. Lead insulation rated to 105°C (221°F). Maximum load is 60W or 96W at 95% efficiency. Input voltage is 120V @ 60 Hz. Auto reset. Recommended minimum load 8 watts

Dimming: 0-10v dimming with 0-10 control switch, by others.

Mounting: Surface mount.

Label: ETL Listed (indoor/outdoor) Class 2

Warranty: 5 years.



Catalog Number	Max. Wattage	Input Voltage	Output Voltage	Input current	output current	Weight	Dimensions		
							L	W	H
LTF60-12-010	60W	120/277VAC	12VDC	.75A	5A MAX	1.2 lbs.	9.3"L	3.4"W	2"H
LTF96-24-010	96W	120/277VAC	24 VDC	1A	4.2A MAX	1.2 lbs.	9.3"L	3.4" W	2"H

For voltage drop - see www.gmlighting.net/voltagedrop.html or consult GM Lighting 2011 New Product Product Brochure, page .

GM Lighting

GM Lighting, LLC • 9830 W. 190th St. • Unit F • Mokena, IL 60448
Toll-Free: (866) 671-0811 FAX: (708) 478-2640 • www.gmlighting.net

e-mail: sales@gmlighting.net • Specifications subject to change without notice.
LTF-010_12102015