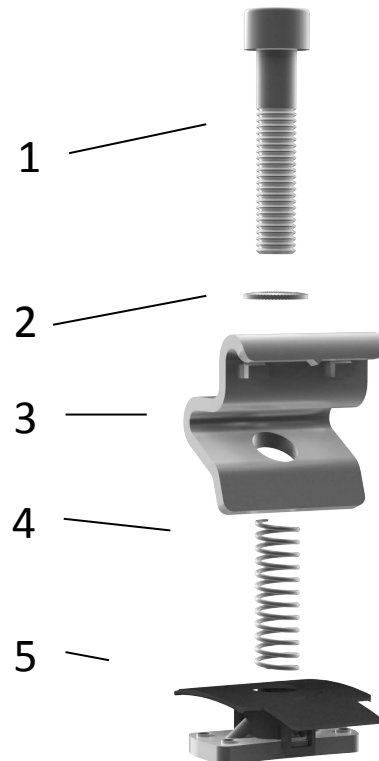
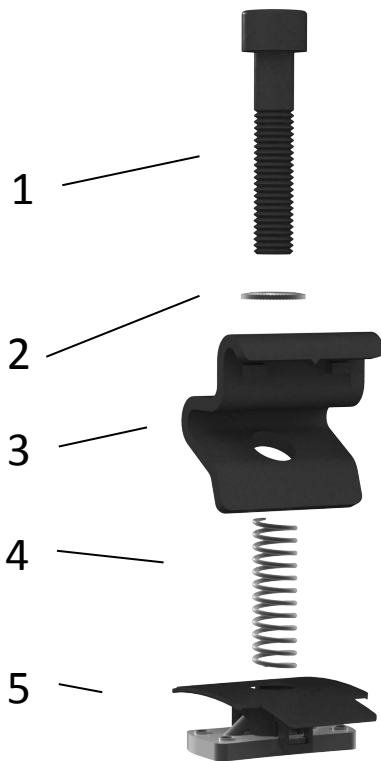




- Integrated bonding
- UL 2703 component
- Universal design features only two part numbers for all module sizes
- Fast, simple installation
- Rugged design complies with a wide variety of module manufacturer's requirements
- Secured in place with MK3 for single-hand installation
- High strength, corrosion resistant stainless steel construction



Dark End Clamp Set

US00_4000430 CrossRail EC Dark, SS UL2703 30-- 50mm

1. Allen Bolt, Black
2. Lock Washer
3. Universal End Clamp, Black
4. Clamp Spring
5. MK3 Slot Nut

Silver End Clamp Set

US00_4000429 CrossRail EC Silver, SS UL2703 30-- 50mm

1. Allen Bolt
2. Lock Washer
3. Universal End Clamp
4. Clamp Spring
5. MK3 Slot Nut



VDE
Declaration of
Conformity



CEIAB (fr)



Pass'Innovator
2011-128 (fr)



TÜV Rheinland
- ISO
9001:2008



VDE Certificate
(de)