



## LED LUMINAIRES

### LED Wallpack Series



High Performance  
LED Technology



IP65  
Rated



50,000 Hour Life



DLC® Qualified

Long-lasting, low maintenance, energy efficient replacements for HID luminaires



**Available in Three Sizes**

**Up to 80% Energy Savings  
vs. HID**

**DLC® Qualified**

**Back by a 5-Year Warranty**

**Applications:**

Building Entrances  
Gas Stations  
Loading Docks  
Parking Garages  
Pathway Illumination  
Schools  
Stairways  
Tunnels

**Markets:**

Commercial  
Industrial

**Halco**  
LIGHTING TECHNOLOGIES

Contact Your Customer Care Specialist  
For Pricing, Orders And Technical Support.

800.677.3334 [www.halcolighting.com](http://www.halcolighting.com)

# LED Wallpack Series

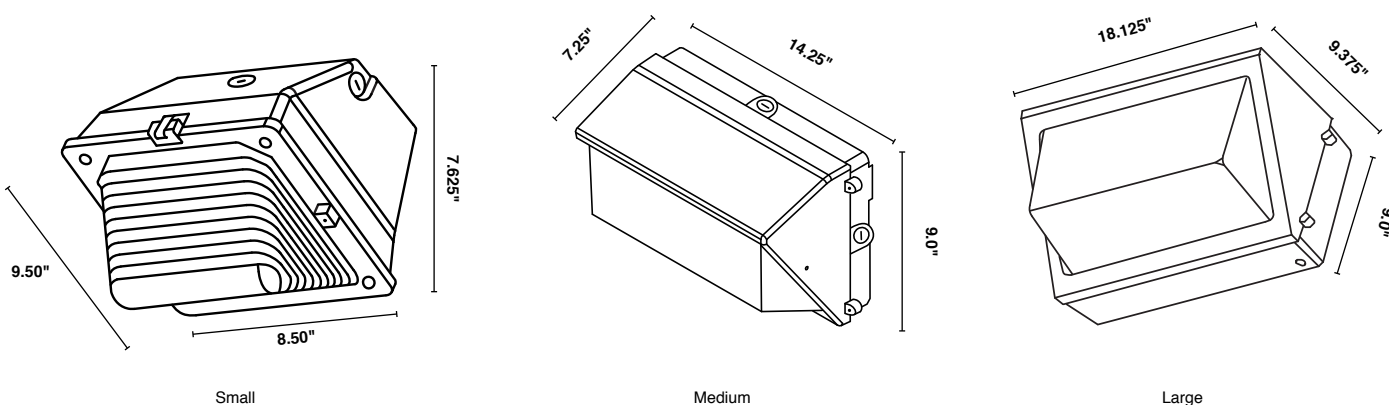
Product #: \_\_\_\_\_ Type: \_\_\_\_\_

Project: \_\_\_\_\_ Date: \_\_\_\_\_

Comments: \_\_\_\_\_ Initials: \_\_\_\_\_

## Specifications

- Operating temperature range is -40°F (-40°C) to 113°F (45°C)
- Die-cast aluminum housing and hinged lens frame with captive screws
- Textured architectural bronze powdercoat finish
- Silicone gaskets protect against rust, corrosion, dirt and insects
- Molded prismatic borosilicate glass
- Mounts directly over a 4" recessed outlet box
- Removable 1/2" threaded plugs with O-rings for conduit access and photocell provision
- Electrical snap-in connectors to simplify wiring and installation
- Voltage sensing 100-277V dimmable driver
- CSA Listed for wet locations



## Ordering Information

Watt	Product #	Product Code	Volts	Color Temp.	CRI	Lumens	Useful Life*	Pkg. Qty.	Dimmable	Equivalent Wattage
27	99907	WP1/CL27BZ50/LED	100-277V	5000K	85	2258	50,000	1	0-10V	100
47	99908	WP2/CL47BZ50/LED	100-277V	5000K	85	4148	50,000	1	0-10V	150
66	99909	WP3/CL66BZ50/LED	100-277V	5000K	85	5531	50,000	1	0-10V	175

IP65 Rated luminaires are rated for use outdoors where exposed directly to water from rain or irrigation.

\* Useful Life is defined as the point in time at which the lamp will maintain at least 70% of its initial lumens. The lamp will continue to burn past this point, but at decreased light levels.

Warranty – Commercial / Industrial: This product is warranted for 5 years from the date of purchase, based on 10 hours of use per day.

\*\* Check the latest update at [www.DesignLights.org](http://www.DesignLights.org) for listed product catalog numbers. Not all versions are listed.

## Accessories

Product #	Product Code	Description
99800	WG1/WP1	Wire Guard Wallpack for 99907
99801	WG2/WP2	Wire Guard Wallpack for 99908
99802	WG3/WP3	Wire Guard Wallpack for 99909
99815	PCS/120V	Photocell Swivel 110-130V
99816	PCS/277V	Photocell Swivel 208-277V

Accessories include hardware.

Warranty – Commercial / Industrial: This product is warranted for 1 year from the date of purchase, based on 10 hours of use per day.