



FEATURES

Die Cast Aluminum Back Plate with Cast-in Template for Mounting Over an Electrical Box and Conduit Access on the Bottom. Bronze Polycarbonate Front Housing with Clear Prismatic Lens Area.

Aluminum Reflector

Molded Prismatic Polycarbonate Lens & Front Housing.

Cast-in Template for Mounting Directly Over a 4" Recessed Outlet Box, or Use 1/2" Surface Conduit.

LumaFit LED:

Array Lumens: 1658; Delivered Lumens: 1054;

CRI: 84; CCT: 5000K

Rated Life: 50,000 Hours; 5-Year Warranty

Aluminum Boards

Wattage: Array: 12.5w, System: 14.1w

Driver: Electronic Driver, 120-277V, 50/60Hz; Dimmable Driver

Listing & Ratings: CSA: Listed for Wet Locations. IP54

Operating Temperatures: -40°C to +40°C

Accessories Sold Separately.

ORDER INFORMATION

DuraLED Polycarbonate Mini Wall Pack

Catalog #

Description

Complete Units

Ordering Information

Example: MINIWPQF1X13U5KZSF

MINIWP	Model:	MINIWP
Q	LED Mfr:	Q=QSSI
F	Optics:	F=Medium Beam Spread
1X	Number of Arrays:	1X=One
13	Wattage:	13=13w
U	Ballast:	U=120-277V
5K	CCT:	5K=5000K
Z	Color:	Z=Bronze
-	Mounting:	N/A
SF	Options:	SF=Single Fuse, DF=Double Fuse

**PHOTOCELL
INCLUDED**

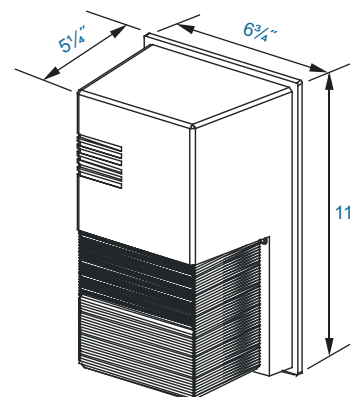
DuraLED Polycarbonate Mini Wall Pack



MINIWP



DIMENSIONS



MINIWP

APPLICATIONS

Residential Buildings and Exteriors
Entry Ways and Stairways
Parking Garages
Storage Areas

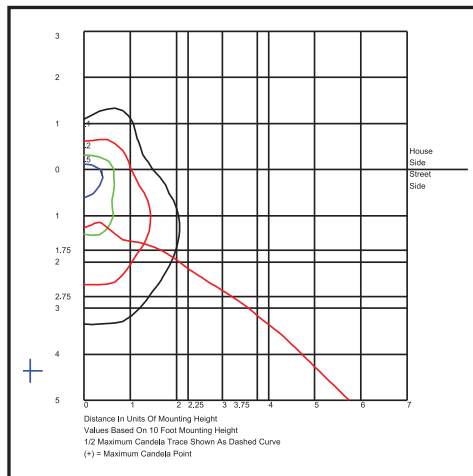
LED



DuraLED Polycarbonate Mini Wall Pack

ACCESSORIES

PHOTOMETRICS



MINIWPQF1X13U5K

Specifications subject to change without notice.