

SPECIFICATION & FEATURES

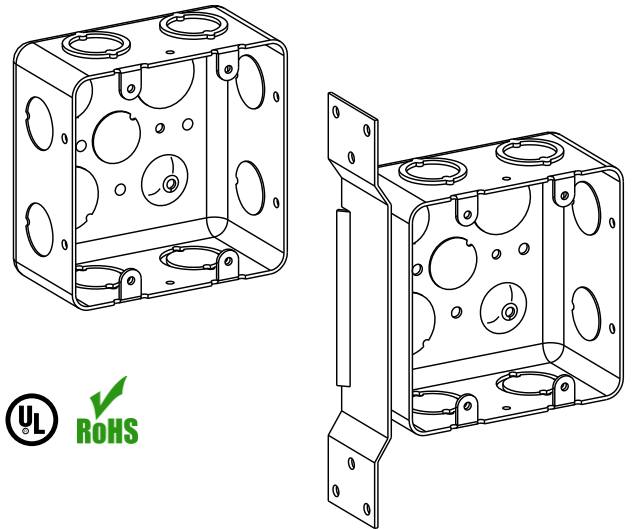
MULTIGANG SWITCH DRAWN BOXES 2-1/8" DEEP

DESCRIPTION:

Orbit Industries' Multigang Switch Boxes are used in the installation of lighting fixtures, switches, and other devices. They are constructed from 16 gauge galvanized steel. They feature raised ground emboss, and the device ears allow easy installation of electrical devices. Models support multiple gangs ranging from 2-4 gangs. Selected models include a B bracket to directly mount on the front face of a wood stud, or an FB bracket to mount on the flat side of a stud.

CERTIFICATION:

UL file E227970, conforms to UL514A. acceptable for use in 2-hour fire rated walls.



FEATURES

General:

With Raised Ground Emboss & Device Ears

Pigtail Features:

PT: 7" Solid Cu. #12AWG Pigtail Pre-assembled with Ground Emboss and 10-32 Ground Screw

Knockout:

50: 1/2" K.O.; 75: 3/4" K.O.

CKO: Concentric K.O. (1/2" and 3/4" K.O.)

Bracket:

FB: (L: 7-3/8", W: 1-9/16") Offset (9/16") Mounts on flat side of stud

B: (L: 3", W: 2") Offset (9/16") Face mounts on front edge of wood stud

DIMENSIONS

Depth: 2-1/8"

Other Dimensions see below

CONFIGURATION DATA

Catalog No.	No. of Gangs	Bracket & Setback	Knockouts		WxH	Cu.In.	Std. Pkg.
			Sides	Bottom			
DHB-2	2	-	(4)-1/2", (4)-CKO	(2)-1/2", (2)-3/4"	4"x4"	30.3	25
DHB-2-B	2	B, 9/16"	(2)-1/2", (4)-CKO	(2)-1/2", (2)-3/4"	4"x4"	30.3	25
DHB-2-FB	2	FB, 9/16"	(2)-1/2", (4)-CKO	(2)-1/2", (2)-3/4"	4"x4"	30.3	25
DHB-3	3	-	(4)-1/2", (6)-CKO	(2)-1/2", (2)-3/4"	5-3/4"x4"	44.0	25
DHB-3-PT	3	-	(4)-1/2", (6)-CKO	(2)-1/2", (2)-3/4"	5-3/4"x4"	44.0	25
DHB-3-B	3	B, 9/16"	(2)-1/2", (6)-CKO	(2)-1/2", (2)-3/4"	5-3/4"x4"	44.0	20
DHB-3-FB	3	FB, 9/16"	(2)-1/2", (6)-CKO	(2)-1/2", (2)-3/4"	5-3/4"x4"	44.0	20
DHB-4	4	-	(4)-1/2", (8)-CKO	(5)-1/2", (4)-3/4"	7-1/2"x4"	57.8	20
DHB-4-B	4	B, 9/16"	(2)-1/2", (8)-CKO	(5)-1/2", (4)-3/4"	7-1/2"x4"	57.8	20
DHB-4-FB	4	FB, 9/16"	(2)-1/2", (8)-CKO	(5)-1/2", (4)-3/4"	7-1/2"x4"	57.8	20

