

### Features & Benefits

- No rewiring needed
- Works with fluorescent electronic ballast (Instant Start, Programmed Start, and Dimming)\*
- Long life
- High CRI
- Instant on, no delay
- Convenient and quick installation
- Utilizes existing instant start or rapid start sockets
- Compatible with controls and sensors
- Dimmable
- Works in cold temperature applications
- Glass tube for superior optical performance
- 5 Year Warranty




\* EMERGENCY BALLAST RESTRICTIONS



**RetroFlex™**  
LED T8 LAMP • Simplicity.  
Commercial Grade LED T8 Lamp

### Specification Data (with Normal Ballast Factor)

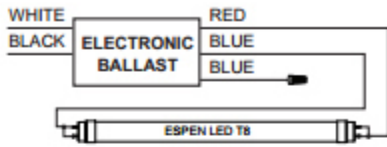
Order Code	Length	Lamp Wattage	System Wattage	CCT	Initial Lumens	CRI	Beam Angle	Lamp Efficacy	System Efficacy	Life	
L36T8/835/10G-EB	36	10	13	3500K	1600	80+	325	160	123	50000	No
L36T8/840/10G-EB	36	10	13	4000K	1600	80+	325	160	123	50000	No
L36T8/850/10G-EB	36	10	13	5000K	1600	80+	325	160	123	50000	No
L36T8/830/10G-EB	36	10	13	3000K	1600	80+	325	160	123	50000	No

### System Performance

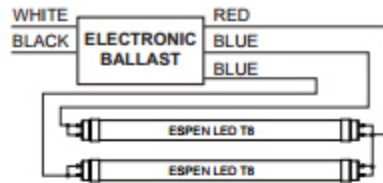
Lamp Model	Low Ballast Factor				High Ballast Factor			
	Lamp Power	System Power	Lumen Output	Lamp Efficacy	Lamp Power	System Power	Lumen Output	Lamp Efficacy
L36T8/835/10G-EB	8	11	1300	160	16.5	19.5	2500	150
L36T8/840/10G-EB	8	11	1300	160	16.5	19.5	2500	150
L36T8/850/10G-EB	8	11	1300	160	16.5	19.5	2500	150
L36T8/830/10G-EB	8	11	1300	160	16.5	19.5	2500	150

### Wiring diagram

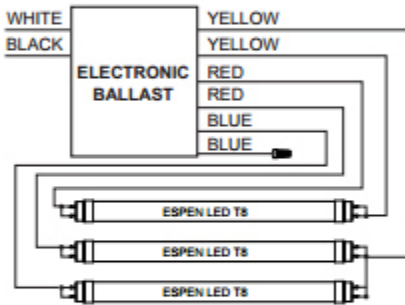
### 1-LAMP Instant Start Electronic Ballast



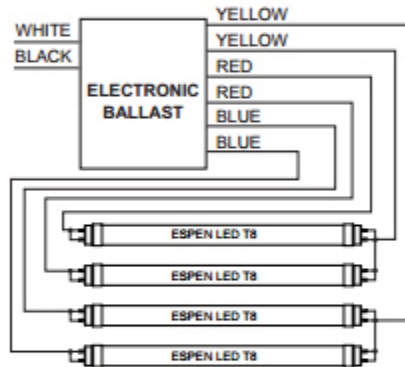
### 2-LAMP Instant Start Electronic Ballast



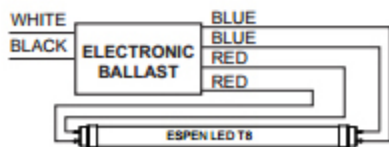
### 3-LAMP Instant Start Electronic Ballast



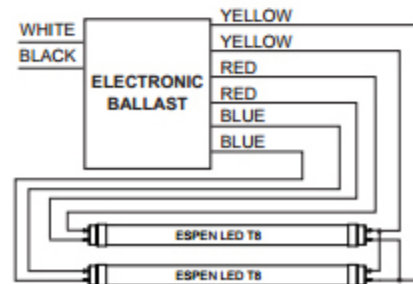
### 4-LAMP Instant Start Electronic Ballast



### 1-LAMP Programmed Start Electronic Ballast



### 2-LAMP Programmed Start Electronic Ballast



\* Please refer to "Ballast Compatibility List" for compatible battery backup and/or emergency ballasts.

\* Please refer to "Ballast Compatibility List" on Related Downloads.

Specification data is based on tests performed in a controlled environment and represents relative performance. Actual performance can vary depending on operating conditions. Application and performance data subject to change without notice. All specifications are nominal unless noted otherwise.