

# GSC1 Lay-In Wireway

Type 1

**27**  
TYPE 1  
LAY-IN  
WIREWAY

## Industry Standards

- NEMA Type 1
- UL 870 Type 1
- CUL Type 1 (Equivalent to CSA)

## Application

- Designed to allow long interrupted runs of electrical wiring in applications where moisture and dust are not a problem.
- All straight sections and fittings are completely open on one side so wires can be laid-in to the wireway.

## Construction

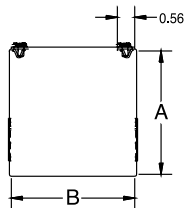
- Wireway and cover are manufactured from code gauge steel.
- Available with or without knockouts. For no knockouts, refer to suffix **-NK** in catalog number.
- Available with or without paint. For no paint, refer to suffix **-NP** in catalog number.
- Covers incorporate teardrop slots for easy installation and are attached with plated steel screws.
- Available in six standard sizes: 2.5 x 2.5, 4 x 4, 6 x 6, 8 x 8, 10 x 10 and 12 x 12.
- Wide range of fittings allows for change of direction, junctions, terminations as well as transition from competitors products.

## Finish

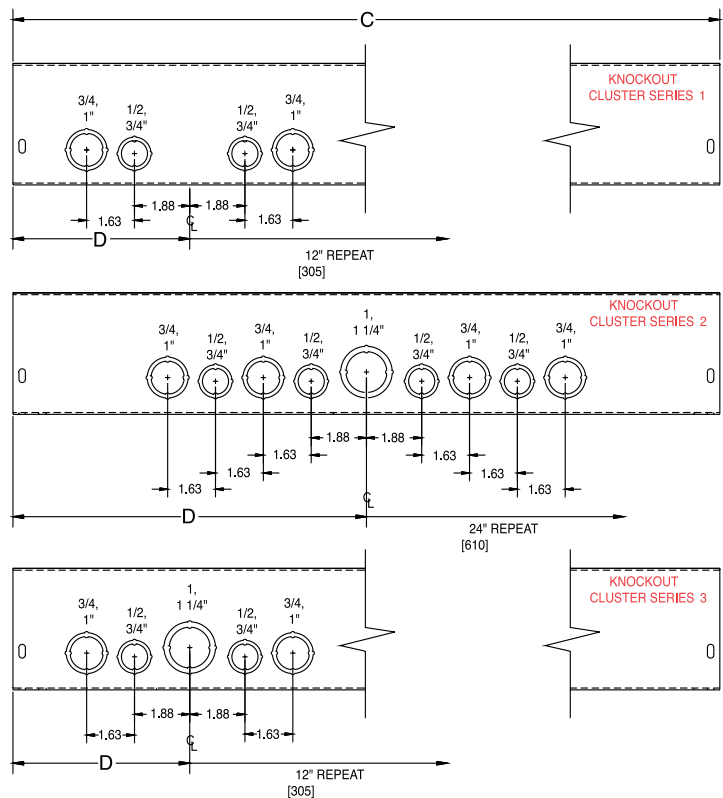
- ANSI 61 gray polyester powder paint coating.

## ACCESSORIES

- Replacement covers: see pg. 30.
- Touch-up paint: see Accessories, pg. 46.
- Barrier Kit: see Accessories, pg. 46.



SCREW COVER — GSC1



Catalog Number	Product Family	UPC Number 7-84572-	Weight (lbs)	Carton Quantity	H x D x L	KO Clusters per Side	Number of Clusters
2212-GSC1	GSC1	26598	2.5	4	2.5 x 2.5 x 12	Series 1	1
2212-GSC1-NK	GSC1	26573	2.5	4	2.5 x 2.5 x 12	None	None
2212-GSC1-NK-NP	GSC1	26599	2.5	4	2.5 x 2.5 x 12	None	None
2218-GSC1	GSC1	26600	3.6	4	2.5 x 2.5 x 18	Series 1	1
2218-GSC1-NK	GSC1	26601	3.6	4	2.5 x 2.5 x 18	None	None
2218-GSC1-NK-NP	GSC1	26602	3.6	4	2.5 x 2.5 x 18	None	None
2218-GSC1-NP	GSC1	26621	3.6	4	2.5 x 2.5 x 18	Series 1	1
2224-GSC1	GSC1	26574	5	4	2.5 x 2.5 x 24	Series 1	2

Utility requirements for this equipment may vary. Always consult the serving utility for their requirements prior to ordering or installing this equipment. This product must be installed by a licensed electrician. Installation of this equipment may require local electrical inspector approval.



Catalog Number	Product Family	UPC Number 7-84572-	Weight (lbs)	Carton Quantity	H x D x L	KO Clusters per Side	Number of Clusters
2224-GSC1-NK	GSC1	26603	5	4	2.5 x 2.5 x 24	None	None
2224-GSC1-NK-NP	GSC1	26604	5	4	2.5 x 2.5 x 24	None	None
2236-GSC1	GSC1	26605	7	4	2.5 x 2.5 x 36	Series 1	3
2236-GSC1-NK	GSC1	26606	7	4	2.5 x 2.5 x 36	None	None
2248-GSC1	GSC1	26608	10	4	2.5 x 2.5 x 48	Series 1	4
2248-GSC1-NK	GSC1	26609	10	4	2.5 x 2.5 x 48	None	None
2260-GSC1	GSC1	26611	12	4	2.5 x 2.5 x 60	Series 1	5
2260-GSC1-NK	GSC1	26612	12	4	2.5 x 2.5 x 60	None	None
2272-GSC1	GSC1	26614	14	4	2.5 x 2.5 x 72	Series 1	6
2272-GSC1-NK	GSC1	26615	14	4	2.5 x 2.5 x 72	None	None
2272-GSC1-NK-NP	GSC1	26616	14	4	2.5 x 2.5 x 72	None	None
2296-GSC1-NK	GSC1	26782	19	4	2.5 x 2.5 x 96	None	None
22120-GSC1	GSC1	26617	25	4	2.5 x 2.5 x 120	Series 1	10
22120-GSC1-NK	GSC1	26618	25	4	2.5 x 2.5 x 120	None	None
22120-GSC1-NK-NP	GSC1	26619	25	4	2.5 x 2.5 x 120	None	None
4412-GSC1	GSC1	10627	3.8	4	4 x 4 x 12	Series 3	1
4412-GSC1-NK	GSC1	10628	3.8	4	4 x 4 x 12	None	None
4412-GSC1-NK-NP	GSC1	15479	3.8	4	4 x 4 x 12	None	None
4418-GSC1	GSC1	10635	5.5	4	4 x 4 x 18	Series 2	1
4418-GSC1-NK	GSC1	10636	5.5	4	4 x 4 x 18	None	None
4418-GSC1-NK-NP	GSC1	21069	5.5	4	4 x 4 x 18	None	None
4424-GSC1	GSC1	10640	7	4	4 x 4 x 24	Series 2	1
4424-GSC1-NK	GSC1	10641	7	4	4 x 4 x 24	None	None
4424-GSC1-NK-NP	GSC1	15481	7	4	4 x 4 x 24	None	None
4436-GSC1	GSC1	10646	7.8	4	4 x 4 x 36	Series 3	3
4436-GSC1-NK	GSC1	10647	7.8	4	4 x 4 x 36	None	None
4436-GSC1-NK-NP	GSC1	15482	7.8	4	4 x 4 x 36	None	None
4448-GSC1	GSC1	10658	14	4	4 x 4 x 48	Series 2	2
4448-GSC1-NK	GSC1	10659	14	4	4 x 4 x 48	None	None
4448-GSC1-NK-NP	GSC1	15485	14	4	4 x 4 x 48	None	None
4460-GSC1	GSC1	10664	17.5	4	4 x 4 x 60	Series 3	5
4460-GSC1-NK	GSC1	10665	17.5	4	4 x 4 x 60	None	None
4460-GSC1-NK-NP	GSC1	15486	17.5	4	4 x 4 x 60	None	None
4472-GSC1	GSC1	10669	20.8	4	4 x 4 x 72	Series 2	3
4472-GSC1-NK	GSC1	10670	20.8	4	4 x 4 x 72	None	None
4472-GSC1-NK-NP	GSC1	15487	20.8	4	4 x 4 x 72	None	None
4496-GSC1	GSC1	26542	27.5	2	4 x 4 x 96	Series 2	4
4496-GSC1-NK	GSC1	28677	27.5	2	4 x 4 x 96	None	None
44120-GSC1	GSC1	10633	35	2	4 x 4 x 120	Series 2	6
44120-GSC1-NK	GSC1	10634	35	2	4 x 4 x 120	None	None
44120-GSC1-NK-NP	GSC1	15480	35	2	4 x 4 x 120	None	None
6612-GSC1	GSC1	10772	5	2	6 x 6 x 12	Series 3	1
6612-GSC1-NK	GSC1	10773	5	2	6 x 6 x 12	None	None
6612-GSC1-NK-NP	GSC1	15491	5	2	6 x 6 x 12	None	None
6618-GSC1	GSC1	10780	8	2	6 x 6 x 18	Series 2	1
6618-GSC1-NK	GSC1	10781	8	2	6 x 6 x 18	None	None
6618-GSC1-NK-NP	GSC1	21070	8	2	6 x 6 x 18	None	None
6624-GSC1	GSC1	10786	10.5	2	6 x 6 x 24	Series 2	1
6624-GSC1-NK	GSC1	10787	10.5	2	6 x 6 x 24	None	None
6624-GSC1-NK-NP	GSC1	15493	10.5	2	6 x 6 x 24	None	None
6636-GSC1	GSC1	10794	16.5	2	6 x 6 x 36	Series 3	3
6636-GSC1-NK	GSC1	10795	16.5	2	6 x 6 x 36	None	None
6636-GSC1-NK-NP	GSC1	15494	16.5	2	6 x 6 x 36	None	None
6648-GSC1	GSC1	10813	21	2	6 x 6 x 48	Series 2	2
6648-GSC1-NK	GSC1	10814	21	2	6 x 6 x 48	None	None
6648-GSC1-NK-NP	GSC1	15496	21	2	6 x 6 x 48	None	None
6660-GSC1	GSC1	10824	25.5	2	6 x 6 x 60	Series 3	5
6660-GSC1-NK	GSC1	10825	25.5	2	6 x 6 x 60	None	None
6660-GSC1-NK-NP	GSC1	15497	25.5	2	6 x 6 x 60	None	None



Utility requirements for this equipment may vary. Always consult the serving utility for their requirements prior to ordering or installing this equipment. This product must be installed by a licensed electrician. Installation of this equipment may require local electrical inspector approval.