

LED-7324 G24q Universal 4 Pin PL Retrofit



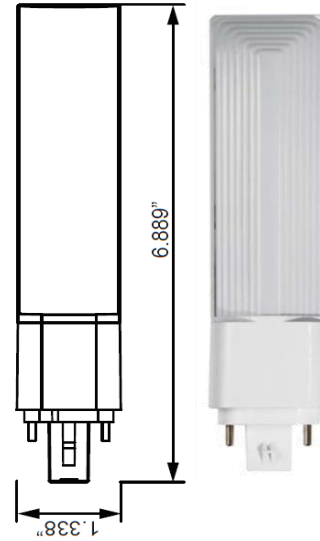
Models

LED-7324-XX, 120-277VAC, ULus, 2700K, 3500K, & 4000K CCT

Features

- 9 Watts Replaces up to 26w flourescent or PL Lamps
- 120° or 180° Beam Angle
- 120-277V UL 1993, UL1598C US and Canada
- 120-347V UL 1993, UL1598C Canada only
- UL damp environments (USA & Can)
- G24q 4 Pin base
- >25,000 rated LED life
- 5 year limited warranty (see website for details)
- Compatible with 13/18/26W Electronic Ballast or 120-277VAC Line Voltage

*Not Approved for Enclosed Fixtures



*Compatible Ballasts:

- Philips Advance ICF-2S26-H1-LD
- Philips Advance ICF-2S42-M2-LD
- Philips Advance ICF-2S18-HA-LD
- Philips Advance REB-2S13-M6-EL
- Hatch HC213PS/UV/D
- Hatch HC218PS/UV/D
- Triad C213UNVME
- Triad QTP 2x26DF/UNV DM
- Pony NPY-120-126-BLS
- Fulham Workhorse2 WH2-277-L
- Fulham Workhorse2 WH2-120-L

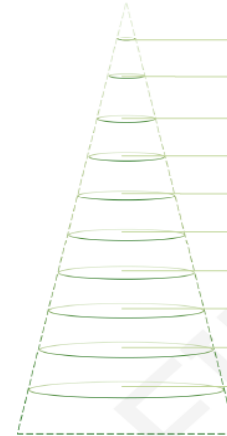
Note: Other electronic ballast most likely compatible as well

Technical Specifications

Models US/CAN	LED-7324-27	LED-7324-35	LED-7324-40
CCT	2700K	3500K	4000K
Power Consumption	9 watts		
Replaces	26w		
Mounting	G24q		
Voltage	120-277VAC (USA)		
LED Type			
Beam Angle	120°	120°	180°
Dimmable	No		
Operating Temp	-40°F - +122°F		
Rated R70 Life	>25,000 Hrs.		
Warranty	5 Year Limited*		

Lux Distance Curve

Angle: 121.5° Flux out: 474.5lm



Height (m)	Diameter (cm)	E _{avg} (lx)	E _{max} (lx)
0.5	178.56	185.6	704.9
1.0	357.13	46.4	198.7
1.5	535.69	20.6	88.3
2.0	714.25	11.6	49.7
2.5	892.81	7.4	31.8
3.0	1071.38	5.2	22.1
3.5	1249.94	3.8	16.2
4.0	1428.50	2.9	12.4
4.5	1607.07	2.3	9.8
5.0	1785.63	1.9	7.9

LM79 Specifications	Yes	Yes	Yes
Power (W)	8.86	10.07	8.95
CCT	2635	3462	3977
Light Output	704.3	911.4	834.6
Efficacy	79.48	90.5	93.25
THD @ 277V	TBD	TBD	TBD
PF @ 277V	0.893	0.928	0.89
CRI:	81.2	81.2	83
R9	4	18	10
Duv	0.001	0.00188	1E-04
Packaging	9 / Master Carton		
Unit	5.3"x 4.7"x 10.1" 1.8lbs.		
Master	16.7"x 15" x 10.8" 13.8 lbs.		

LED Power Consumption (Watts)	HID Power Consumption (Watts)	HID Ballast Power Consumption (Watts)	Total Savings (Watts)	Annual Energy Savings (14 hrs/day)	Lifetime Energy Savings (over 50,000 hrs)
9	26	4	21	\$12	\$115.50

Mounting Orientation			Minimum Fixture Size Requirements (inches)	
Base Up	Base Down	Horiz	Length	TBD
			Width	TBD
			Height	TBD
			Cu. Inches	#VALUE!
Approved				



188 S. Northwest Highway • Cary, IL 60013
 (847) 380-3540 • FAX: (847) 380-3542
 www.led-llc.com



Compatible list of Ballast

PL09G24XXKBZZ

Voltage	Lamp Number	Ballast											
		PHILIPS ICF-2S26-M1-BS	PHILIPS ICF-2S26-H1-LD	PHILIPS ICF-2S18-H1-LD	PHILIPS ICF-2S42-M2-LD	Triad C2642UN VBES	Triad C2642UN VME	Triad C2642UN VMES	Triad C213UNV ME	OSRAM 2X26CF/U NV/DM	FULHAM RHA-UNV-226-C	HATCH HC218PS/UV/D	HATCH HC213PS/UV/D
120V	1								20%				17%
	2								20%				17%
230V	1								20%				
	2								20%				
277V	1								20%				
	2								20%				

Note: ■ EXCELLENT ■ WORKING BUT % LESS ON WATTAGE AND LUMENT OUTPUT ■ NO WORKING OR FLIKERING

PL12G24XXKBZZ

Voltage	Lamp Number	Ballast											
		PHILIPS ICF-2S26-M1-BS	PHILIPS ICF-2S26-H1-LD	PHILIPS ICF-2S18-H1-LD	PHILIPS ICF-2S42-M2-LD	Triad C2642UN VBES	Triad C2642UN VME	Triad C2642UN VMES	Triad C213UNV ME	OSRAM 2X26CF/U NV/DM	FULHAM RHA-UNV-226-C	HATCH HC218PS/UV/D	HATCH HC213PS/UV/D
120V	1								25%				16%
	2								25%				16%
230V	1								25%				16%
	2								25%				16%
277V	1								25%				16%
	2								25%				16%

Note: ■ EXCELLENT ■ WORKING BUT % LESS ON WATTAGE AND LUMENT OUTPUT ■ NO WORKING OR FLIKERING



188 S. Northwest Highway • Cary, IL 60013
 (847) 380-3540 • FAX: (847) 380-3542
www.led-llc.com