

OVERVIEW

The nPODM Series WallPods are nLight-enabled toggle and/or raise/lower switches that provide a user with local control of a lighting zone. These single gang decorator style devices have soft-click buttons and have a green LED indicator for each button. WallPods communicate with other nLight devices via a CAT-5e cable that connects to one of its two RJ-45 connectors. A basic low voltage WallPod can work with an nLight power pack or nLight enabled fixture to provide toggle switch operation. WallPods with the DX option have the added ability to adjust the level of any nLight controlled dimmable lighting.

FEATURES

- Communicates with nLight network
- Remotely configurable/upgradeable
- Soft-click push-button control
- Custom button engraving (WH, IV, AL GY units only)
- 1, 2, or 4 channel on/off
- 1, 2, or 4 channel raise/lower
- "Dynamic" options for custom button names when pairing with Acuity Brands nTUNE fixtures

Warranty

Five-year limited warranty. Complete warranty terms located at:
www.acuitybrands.com/CustomerResources/Terms_and_conditions.aspx

Note: Actual performance may differ as a result of end-user environment and application. Specifications subject to change without notice.



nLight®

nPODM

Wallpod: On/Off & On/
Off+Raise/Lower



This item is an A+ capable component, which has been designed and tested to provide out-of-the-box luminaire compatibility with simple commissioning, when included as part of an A+ Certified™ Solution.

To learn more about A+, visit www.acuitybrands.com/aplus.



ORDERING INFORMATION

nPODM				Example: nPODM 2P WH		
Series	Presets Type	Dimming Control	Dynamic	Color	Temp/ Humidity	
nPODM	[blank] Single channel 2P Two channels 4P Four channels	[blank] On/off control DX On/off + raise/lower control	[blank] Standard CCT ¹ Correlated color temperature GRSC ¹ Grayscale COLOR ¹ Color control	WH White IV Ivory GY Gray AL Almond BK Black RD Red	[blank] Normal LT Low temp	

CUSTOM BUTTON ENGRAVING

- Standard button labeling is shown on back.
- Custom lettering for WH, IV, AL, and GY units can be specified and ordered at:
<http://www.acuitybrands.com/-/media/Files/Acuity/Products/Controls/nLight/NGRAVE%20110%20pdf.pdf?la=en>
- To ensure color uniformity, ordering templates facilitate specifying all buttons on a unit as custom lettered. Replacing single buttons not recommended.
- Buttons may ship separately and require field installation.

Notes

1. Only available on 2P DX configurations

SPECIFICATIONS

Size: (not including ground strap) 2.74" H x 1.68" W x 1.63" D
(6.96 cm x 4.27 cm x 4.14 cm)

Weight: 2 oz

Mounting: Single Gang Switch Box or Low Voltage Ring

Color: White, Ivory, Lt. Almond, Gray, Black, Red

nLight Network Ports: (2) RJ45 ports

Power Consumption: < 5 mA

Temperature Rating: 0°C to 60° C

Relative Humidity: <90%, non-condensing

UL Listed to US and Canadian safety standards. (E167435)

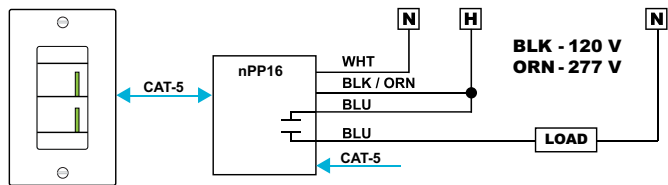
RoHS Compliant, Title 24 System Component

WIRING

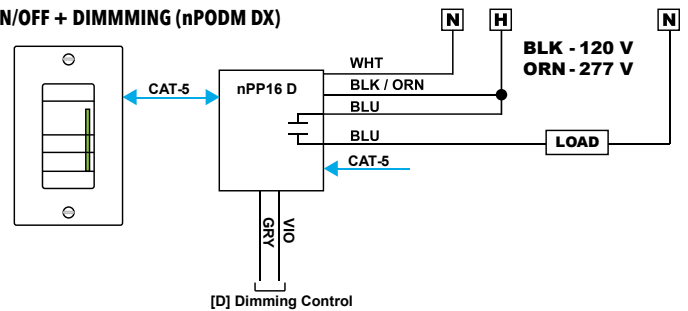
TYPICAL WIRING

Power to WallPod device is provided via the CAT-5e connection to an nLight enabled fixture, nLight power pack (e.g. **nPP16**), power supply (**nPS80**), or Bridge (**nBRG 8**).

ON/OFF

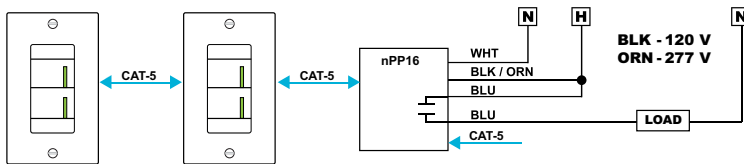


ON/OFF + DIMMING (nPODM DX)

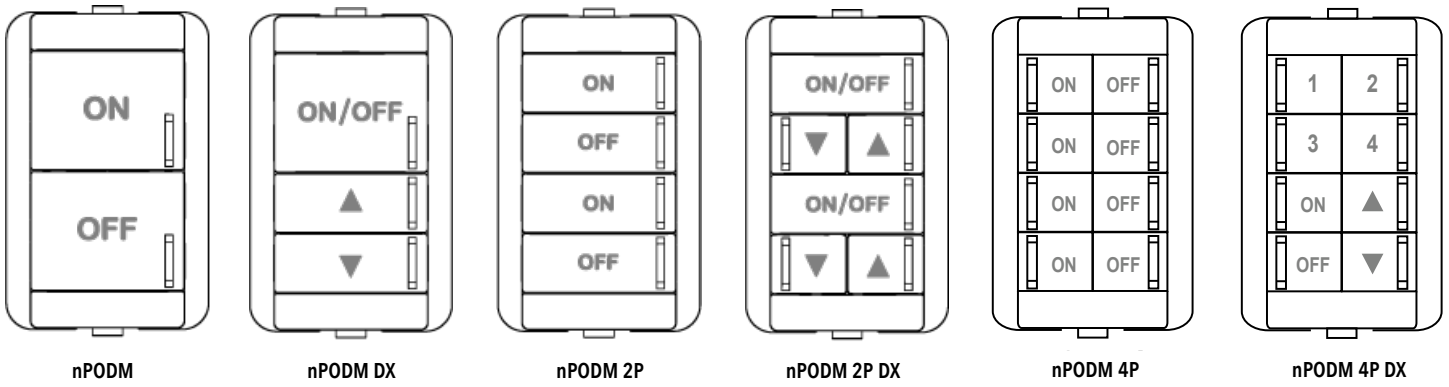


3-WAY CONFIGURATION WIRING

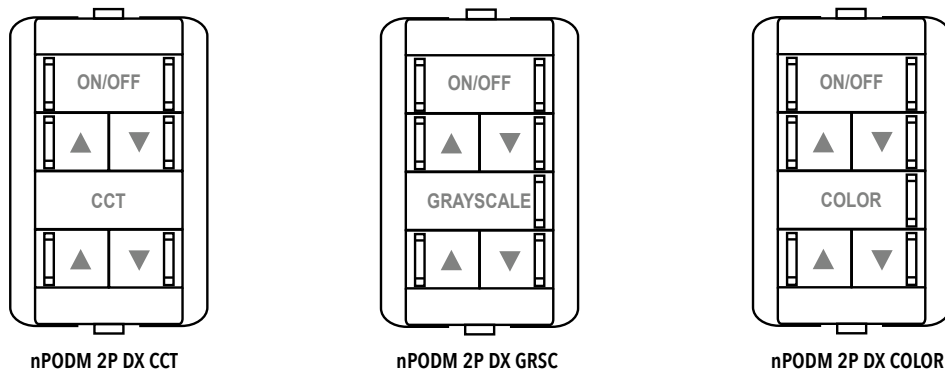
WallPods and/or nLight wall switch sensors can be configured together to create zones with multiple switching locations.



DEFAULT LABELING



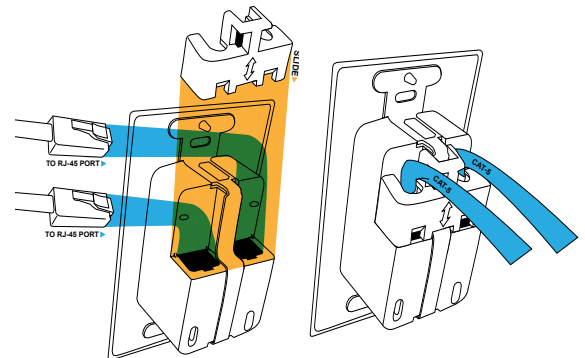
Dynamic wallpod options feature custom button names when pairing with Acuity Brands nTUNE(TM) fixtures. Reference fixture cut sheets for additional details.



Custom lettering for WH, IV, AL, and GY units can be specified and ordered at:
<http://www.acuitybrands.com/-/media/Files/Acuity/Products/Controls/nLight/NGRAVE%20110%20pdf.pdf?la=en>

INSTALLATION

- Mount WallPod using holes that align with standard single gang switch box or low voltage ring
- Access RJ-45 ports by sliding plastic guard up
- Insert CAT-5e cable(s), T568B wiring convention recommended
- Slide guard back onto metal strap
- Interconnect unit with other nLight devices in lighting zone using CAT-5e cables
- Once power is received via CAT-5e connection, all devices in zone will automatically begin functioning together according to respective device's defaults



Attention! Only use non-booted CAT5e cables.

PROGRAMMING

Refer to instruction card IN-11.3 for directions on programming the sensor via the upper-most left push-button. All buttons are factory set to the matching switch channel (button 1 - channel 1, button 2 - channel 2, etc). For nPODM 4P DX, channels to be controlled are selected first, then the control button (on/off or raise/lower).