

# RECESSED

architectural

Project: .....

Type: .....

Catalog number: .....

## LED 6" open

1100, 1500, 2000 or 3000 lumens



### frame-in kit

- Universal mounting brackets provide tool-less adjustability and will accept the supplied hanger bars or optional #517 and #520 Caddy bars. Also accepts C channel.
- Electrogalvanized plated steel hanger bars are included as factory standard. Bars extend to 24" and offer self-nailing and additional mounting features.

#### Philips Fortimo DLM LED Module

- Remote phosphor technology
- 80+ CRI
- Rated Life: 50,000 hours at 70% lumen maintenance (L70) when maintained in a 45°C ambient environment with open air flow. Ambient temperatures lower than 45°C may extend life of module. 5-year warranty.

#### Philips Xitanium Electronic LED Driver

- Dimmable, instant 100% light (5%-100%) via: 0-10V protocol

#### Passive Heat Sink

- Black anodized aluminum

This LED fixture is intended for non-IC applications, insulation must be kept 3" away from fixture on all sides. Not for use within enclosures.

Listed for Damp Location. Tested and Listed by ETL to UL1598 and CSA C22.2 #250. Tested to LM79. ENERGY STAR® qualified (120V/277V and with standard driver only). Photometrics at atlantic-lighting.com.

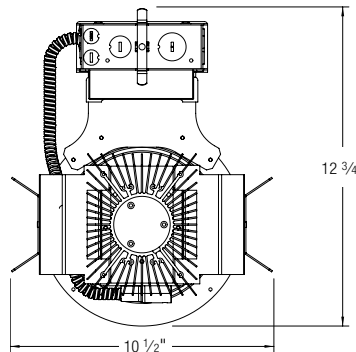
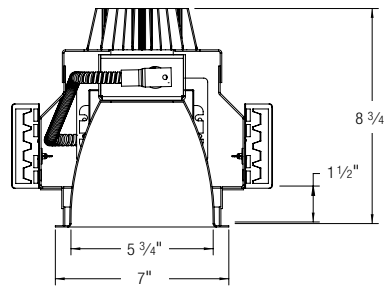
Specifications and dimensions subject to change without notice.



Lumens*	Temp	Watts*
1100	2700K	10.3W
1100	3000K	10.1W
1100	3500K	9.6W
1100	4000K	9.2W
1500	2700K	15.4W
1500	3000K	14.5W
1500	3500K	13.8W
1500	4000K	13.2W

Lumens*	Temp	Watts*
2000	2700K	22.3W
2000	3000K	20.9W
2000	3500K	19.9W
2000	4000K	18.9W
3000	2700K	39.1W
3000	3000K	37.1W
3000	3500K	35.8W
3000	4000K	34.0W

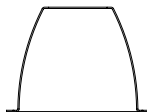
R.O. Ø 6 1/2"  
Maximum ceiling  
thickness 1 1/2"



### TRIM KIT

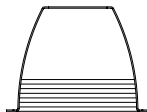
#### open reflector

**6LED10** Standard open  
60° beam angle



#### baffled reflector

**6LED11** Black multi-groove baffle  
**6LED12** White multi-groove baffle  
**Note:** Polished flange not available on baffled reflector.



Precision spun .052 aluminum self-flanged reflector offered in clear with optional finishes, and in white. Flange is white as factory standard, optional polished flange will match reflector finish. Contact factory for optional reflector colors.



## ordering data

### FRAME-IN KIT

**SERIES** ..... **LED6**

**LED6** Architectural 6" LED

### LUMENS\*

**DLM11** 1100 lumen module  
**DLM15** 1500 lumen module  
**DLM20** 2000 lumen module  
**DLM30** 3000 lumen module

### COLOR TEMPERATURE

**27K** 2700K  
**3K** 3000K  
**35K** 3500K  
**4K** 4000K

### VOLTAGE

**U** Universal 120V-277V  
**1** 120V (for dimming options)  
**2** 277V (for dimming options)  
**3** 347V Step down transformer

### DIMMING

0-10V DC standard, leave box blank. Use "U" voltage.  
**LDE** Lutron® EcoSystem® (100%-1%, Fade-to-Black™)  
**LTE** Lutron® 2-wire forward-phase (100%-1%) (120V only)

All optional drivers require voltage to be specified.

### OPTIONS

**LEM** Emergency Pack, Bodine #BSL17C-C2 or equivalent Requires large frame.  
**ILEM** Internal EM with test button in reflector  
**CP** Chicago Plenum

### TRIM KIT

◀ ◀ ◀ Refer to left for part numbers. Specify finish & other below.

### Finishes

**CL** Specular clear  
**SS** Semi-specular clear  
**HZ** Haze clear (etched)  
**WH** Matte white

### Other

**PF** Polished flange  
**ITS** Internal test switch hole. Must be specified with ILEM.  
**GS** Gasket under flange

\*Listed lumens and wattages are component measurements. See photometrics for fixture values.

**P/N Example:** LED6-DLM11-27K-U / 6LED10-CL

**LED6-DLM11-27K-U / 6LED10-CL**  
series lumens voltage temp options trim kit finish other



**ATLANTIC LIGHTING**

T: 508 678-5411 | F: 508 678-5408 [www.atlantic-lighting.com](http://www.atlantic-lighting.com)

101415 NP14-002