



## Strain Relief Cord Connectors Straight

- Industrial specification grade, screw machined steel, zinc plated
- Provides a UL liquid tight and strain relief termination for flexible type, neoprene, vinyl, or PVC control cord and cable
- Color-coded grommet to indicate cable diameter range

## SPEC-grade



UL rated suitable for hazardous locations  
Class I, Div. 2; Class II, Div. 1 and 2;  
Class III, Div. 1 and 2; NEC 501-4(b), 505-4(a), 503-3(a)

Featuring:  
**EZ-Torque Compression Nut**

## Straight Connectors - Steel

| Cat. #     | Color  | Size | Cable Ranges |       | Unit Ctn | Std Pkg | WT/ 100 |
|------------|--------|------|--------------|-------|----------|---------|---------|
|            |        |      | Min.         | Max   |          |         |         |
| CG50A250   | Red    | 1/2" | .150         | .250  | 25       | 250     | 12      |
| CG50A350   | White  | 1/2" | .250         | .350  | 25       | 250     | 12      |
| CG50A450   | Blue   | 1/2" | .350         | .460  | 25       | 250     | 12      |
| CG50A560   | Green  | 1/2" | .450         | .560  | 25       | 250     | 12      |
| CG50A650   | Brown  | 1/2" | .560         | .650  | 25       | 250     | 12      |
| CG75A250   | Red    | 3/4" | .150         | .250  | 10       | 100     | 10      |
| CG75A350   | White  | 3/4" | .250         | .350  | 10       | 100     | 10      |
| CG75A450   | Blue   | 3/4" | .350         | .460  | 10       | 100     | 10      |
| CG75A560   | Green  | 3/4" | .450         | .560  | 10       | 100     | 10      |
| CG75A650   | Brown  | 3/4" | .560         | .650  | 10       | 100     | 10      |
| CG75B750   | Yellow | 3/4" | .650         | .750  | 10       | 100     | 10      |
| CG75B850   | Purple | 3/4" | .750         | .850  | 10       | 100     | 10      |
| CG100B560  | Green  | 1"   | .450         | .560  | 5        | 50      | 28      |
| CG100B650  | Brown  | 1"   | .560         | .650  | 5        | 50      | 28      |
| CG100B750  | Yellow | 1"   | .650         | .750  | 5        | 50      | 28      |
| CG100B850  | Purple | 1"   | .750         | .850  | 5        | 50      | 28      |
| CG100C950  | Grey   | 1"   | .850         | .950  | 5        | 50      | 28      |
| CG100C1050 | Black  | 1"   | .950         | 1.050 | 5        | 50      | 28      |

Cord Connectors 1



Made in the USA Since 1946

**SPEC-grade**

## Strain Relief Cord Connectors Straight

- Industrial specification grade, screw machined steel, zinc plated
- Provides a UL liquid tight and strain relief termination for flexible type, neoprene, vinyl, or PVC control cord and cable
- Color-coded grommet to indicate cable diameter range



UL rated suitable for hazardous locations  
Class I, Div. 2; Class II, Div. 1 and 2;  
Class III, Div. 1 and 2; NEC 501-4(b), 505-4(a), 503-3(a)



Featuring:  
**EZ-Torque Compression Nut**

## Straight Connectors - Steel

| Cat. #       | Color  | Size   | Cable Ranges |       | Unit Ctn | Std Pkg | WT/ 100 |
|--------------|--------|--------|--------------|-------|----------|---------|---------|
|              |        |        | Min.         | Max   |          |         |         |
| CG125C850    | Purple | 1-1/4" | .750         | .850  | 5        | 25      | 48      |
| CG125C950    | Grey   | 1-1/4" | .850         | .950  | 5        | 25      | 48      |
| CG125D1050   | Black  | 1-1/4" | .950         | 1.050 | 5        | 25      | 48      |
| CG125D1150   | Orange | 1-1/4" | 1.050        | 1.150 | 5        | 25      | 48      |
| CG125D1250   | Red    | 1-1/4" | 1.150        | 1.250 | 5        | 25      | 48      |
| CG125D1375   | White  | 1-1/4" | 1.250        | 1.375 | 5        | 25      | 48      |
| CG150D1050   | Black  | 1-1/2" | .950         | 1.050 | 2        | 20      | 90      |
| CG150D1150   | Orange | 1-1/2" | 1.050        | 1.150 | 2        | 20      | 90      |
| CG150D1250   | Red    | 1-1/2" | 1.150        | 1.250 | 2        | 20      | 90      |
| CG150D1375   | White  | 1-1/2" | 1.250        | 1.375 | 2        | 20      | 90      |
| CG150E1500   | Blue   | 1-1/2" | 1.380        | 1.500 | 2        | 20      | 90      |
| CG150E1630** | Green  | 1-1/2" | 1.500        | 1.630 | 2        | 20      | 90      |
| CG150E1750** | Brown  | 1-1/2" | 1.630        | 1.750 | 2        | 20      | 90      |
| CG150E1880** | Purple | 1-1/2" | 1.750        | 1.880 | 2        | 20      | 90      |
| CG200F1380   | Red    | 2"     | 1.250        | 1.380 | 2        | 20      | 105     |
| CG200F1500   | Blue   | 2"     | 1.380        | 1.500 | 2        | 20      | 105     |
| CG200F1630   | Green  | 2"     | 1.500        | 1.630 | 2        | 20      | 105     |
| CG200F1750   | Brown  | 2"     | 1.630        | 1.750 | 2        | 20      | 105     |
| CG200F1810   | Yellow | 2"     | 1.690        | 1.810 | 2        | 20      | 105     |
| CG200F1880   | Purple | 2"     | 1.750        | 1.880 | 2        | 20      | 105     |
| CG200F1940   | White  | 2"     | 1.810        | 1.940 | 2        | 20      | 105     |
| CG200F2060   | Orange | 2"     | 1.940        | 2.060 | 2        | 20      | 105     |

\*\*Cable jacket may have to be stripped to pass through connector body

Cord Connectors 2



Made in the USA Since 1946

## Strain Relief Aluminum Cord Connectors

**SPEC-grade**

- Industrial specification grade, screwmachined aluminum
- Provides UL liquid tight and strain relief termination for Flexible type, neoprene, vinyl, or PVC control cord and cable
- Color-coded grommet to indicate cable diameter range



Featuring:  
**EZ-Torque Compression Nut**



UL rated suitable for hazardous locations  
Class I, Div. 2; Class II, Div. 1 and 2;  
Class III, Div. 1 and 2; NEC 501-4(b), 505-4(a), 503-3(a)

## Straight Connectors - Aluminum

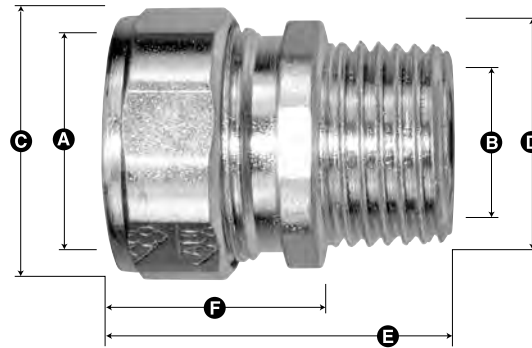
| Cat. #       | Color  | Size | Cable Ranges |       | Unit Ctn | Std Pkg | WT/ 100 |
|--------------|--------|------|--------------|-------|----------|---------|---------|
|              |        |      | Min.         | Max   |          |         |         |
| CG50A250AL   | Red    | 1/2" | .150         | .250  | 25       | 250     | 6       |
| CG50A350AL   | White  | 1/2" | .250         | .350  | 25       | 250     | 6       |
| CG50A450AL   | Blue   | 1/2" | .350         | .460  | 25       | 250     | 6       |
| CG50A560AL   | Green  | 1/2" | .450         | .560  | 25       | 250     | 6       |
| CG50A650AL   | Brown  | 1/2" | .560         | .650  | 25       | 250     | 6       |
| CG75A250AL   | Red    | 3/4" | .150         | .250  | 10       | 100     | 8       |
| CG75A350AL   | White  | 3/4" | .250         | .350  | 10       | 100     | 8       |
| CG75A450AL   | Blue   | 3/4" | .350         | .460  | 10       | 100     | 8       |
| CG75A560AL   | Green  | 3/4" | .450         | .560  | 10       | 100     | 8       |
| CG75A650AL   | Brown  | 3/4" | .560         | .650  | 10       | 100     | 8       |
| CG75B750AL   | Yellow | 3/4" | .650         | .750  | 10       | 100     | 10      |
| CG75B850AL   | Purple | 3/4" | .750         | .850  | 10       | 100     | 10      |
| CG100B560AL  | Green  | 1"   | .450         | .560  | 5        | 50      | 11      |
| CG100B650AL  | Brown  | 1"   | .560         | .650  | 5        | 50      | 11      |
| CG100B750AL  | Yellow | 1"   | .650         | .750  | 5        | 50      | 11      |
| CG100B850AL  | Purple | 1"   | .750         | .850  | 5        | 50      | 11      |
| CG100C950AL  | Grey   | 1"   | .850         | .950  | 5        | 50      | 11      |
| CG100C1050AL | Black  | 1"   | .950         | 1.050 | 5        | 50      | 11      |

Cord Connectors 3



Made in the USA Since 1946

## Strain Relief Cord Connectors



### Straights<sup>†</sup> Dimensional Table

| Cat. #     | Length* | Size | A<br>Cable Ranges |       | B<br>Max Cable | C<br>Cross Corner | D<br>Hex  | E<br>Overall | F<br>Exposed |
|------------|---------|------|-------------------|-------|----------------|-------------------|-----------|--------------|--------------|
|            |         |      | Min.              | Max   | Core Dia.      | Gland Nut O.D.    | Body O.D. | Length       |              |
| CG50A250   | 1/2"    | 1/2" | .150              | .250  | .640           | 1.070             | .975      | 1-5/16"      | 13/16"       |
| CG50A350   | 1/2"    | 1/2" | .250              | .350  | .640           | 1.070             | .975      | 1-5/16"      | 13/16"       |
| CG50A450   | 1/2"    | 1/2" | .350              | .450  | .640           | 1.070             | .975      | 1-5/16"      | 13/16"       |
| CG50A560   | 1/2"    | 1/2" | .450              | .560  | .640           | 1.070             | .975      | 1-5/16"      | 13/16"       |
| CG50A650   | 1/2"    | 1/2" | .560              | .650  | .640           | 1.070             | .975      | 1-5/16"      | 13/16"       |
| CG75A250   | 3/4"    | 3/4" | .150              | .250  | .687           | 1.070             | 1.220     | 1-5/16"      | 13/16"       |
| CG75A350   | 3/4"    | 3/4" | .250              | .350  | .687           | 1.070             | 1.220     | 1-5/16"      | 13/16"       |
| CG75A450   | 3/4"    | 3/4" | .350              | .450  | .687           | 1.070             | 1.220     | 1-5/16"      | 13/16"       |
| CG75A560   | 3/4"    | 3/4" | .450              | .560  | .687           | 1.070             | 1.220     | 1-5/16"      | 13/16"       |
| CG75A650   | 3/4"    | 3/4" | .560              | .650  | .687           | 1.070             | 1.220     | 1-5/16"      | 13/16"       |
| CG75B750   | 3/4"    | 3/4" | .650              | .750  | .845           | 1.330             | 1.220     | 1-9/16"      | 1-1/32"      |
| CG75B850   | 3/4"    | 3/4" | .750              | .850  | .845           | 1.330             | 1.220     | 1-9/16"      | 1-1/32"      |
| CG100B560  | 1"      | 1"   | .450              | .560  | .937           | 1.330             | 1.500     | 1-3/4"       | 1-1/8"       |
| CG100B650  | 1"      | 1"   | .560              | .650  | .937           | 1.330             | 1.500     | 1-3/4"       | 1-1/8"       |
| CG100B750  | 1"      | 1"   | .650              | .750  | .937           | 1.330             | 1.500     | 1-3/4"       | 1-1/8"       |
| CG100B850  | 1"      | 1"   | .750              | .850  | .937           | 1.330             | 1.500     | 1-3/4"       | 1-1/8"       |
| CG100C950  | 1"      | 1"   | .850              | .950  | 1.050          | 1.625             | 1.500     | 1-7/8"       | 1-3/16"      |
| CG100C1050 | 1"      | 1"   | .950              | 1.050 | 1.050          | 1.625             | 1.500     | 1-7/8"       | 1-3/16"      |
| CG100B850  | 1"      | 1"   | .750              | .850  | .937           | 1.330             | 1.500     | 1-3/4"       | 1-1/8"       |
| CG100C950  | 1"      | 1"   | .850              | .950  | 1.050          | 1.625             | 1.500     | 1-7/8"       | 1-3/16"      |
| CG100C1050 | 1"      | 1"   | .950              | 1.050 | 1.050          | 1.625             | 1.500     | 1-7/8"       | 1-3/16"      |

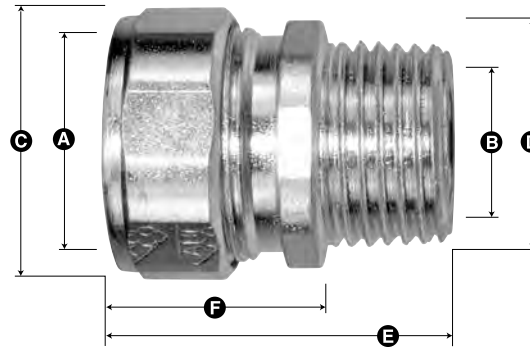
\*Normal: may vary slightly depending on cable's diameter †Consult factory for 90° & 45° dimensions

Cord Connectors 4



Made in the USA Since 1946

## Strain Relief Cord Connectors



### Straights<sup>†</sup> Dimensional Table

| Cat. #     | Size   | A<br>Cable Ranges |       | B<br>Max Cable<br>Core Dia. | C<br>Cross Corner<br>Gland Nut O.D. | D<br>Hex<br>Body O.D. | E<br>Overall<br>Length* | F<br>Exposed<br>Length* |
|------------|--------|-------------------|-------|-----------------------------|-------------------------------------|-----------------------|-------------------------|-------------------------|
|            |        | Min.              | Max   |                             |                                     |                       |                         |                         |
| CG125C850  | 1-1/4" | .750              | .850  | 1.187                       | 1.625                               | 1.900                 | 1-15/16"                | 1-1/4"                  |
| CG125C950  | 1-1/4" | .850              | .950  | 1.187                       | 1.625                               | 1.900                 | 1-15/16"                | 1-1/4"                  |
| CG125D1050 | 1-1/4" | .950              | 1.050 | 1.375                       | 2.032                               | 1.900                 | 1-15/16"                | 1-1/4"                  |
| CG125D1150 | 1-1/4" | 1.050             | 1.150 | 1.375                       | 2.032                               | 1.900                 | 1-15/16"                | 1-1/4"                  |
| CG125D1250 | 1-1/4" | 1.150             | 1.250 | 1.375                       | 2.032                               | 1.900                 | 1-15/16"                | 1-1/4"                  |
| CG125D1375 | 1-1/4" | 1.250             | 1.375 | 1.375                       | 2.032                               | 1.900                 | 1-15/16"                | 1-1/4"                  |
| CG150D1050 | 1-1/2" | .950              | 1.050 | 1.375                       | 2.032                               | 2.280                 | 2"                      | 1-5/16"                 |
| CG150D1150 | 1-1/2" | 1.050             | 1.150 | 1.375                       | 2.032                               | 2.280                 | 2"                      | 1-5/16"                 |
| CG150D1250 | 1-1/2" | 1.150             | 1.250 | 1.375                       | 2.032                               | 2.280                 | 2"                      | 1-5/16"                 |
| CG150D1375 | 1-1/2" | 1.250             | 1.375 | 1.375                       | 2.032                               | 2.280                 | 2"                      | 1-5/16"                 |
| CG150E1500 | 1-1/2" | 1.380             | 1.500 | 1.625                       | 2.375                               | 2.188                 | 2-1/8"                  | 1-3/8"                  |
| CG150E1630 | 1-1/2" | 1.500             | 1.630 | 1.625                       | 2.375                               | 2.188                 | 2-1/8"                  | 1-3/8"                  |
| CG150E1700 | 1-1/2" | 1.630             | 1.750 | 1.625                       | 2.375                               | 2.188                 | 2-1/8"                  | 1-3/8"                  |
| CG150E1880 | 1-1/2" | 1.750             | 1.880 | 1.625                       | 2.375                               | 2.188                 | 2-1/8"                  | 1-3/8"                  |
| CG200F1380 | 2"     | 1.250             | 1.380 | 2.060                       | 2.875                               | 2.656                 | 2-1/4"                  | 1-5/8"                  |
| CG200F1500 | 2"     | 1.380             | 1.500 | 2.060                       | 2.875                               | 2.656                 | 2-1/4"                  | 1-5/8"                  |
| CG200F1630 | 2"     | 1.500             | 1.630 | 2.060                       | 2.875                               | 2.656                 | 2-1/4"                  | 1-5/8"                  |
| CG200F1750 | 2"     | 1.630             | 1.750 | 2.060                       | 2.875                               | 2.656                 | 2-1/4"                  | 1-5/8"                  |
| CG200F1810 | 2"     | 1.690             | 1.810 | 2.060                       | 2.875                               | 2.656                 | 2-1/4"                  | 1-5/8"                  |
| CG200F1880 | 2"     | 1.750             | 1.880 | 2.060                       | 2.875                               | 2.656                 | 2-1/4"                  | 1-5/8"                  |
| CG200F1940 | 2"     | 1.810             | 1.940 | 2.060                       | 2.875                               | 2.656                 | 2-1/4"                  | 1-5/8"                  |
| CG200F2060 | 2"     | 1.940             | 2.060 | 2.060                       | 2.875                               | 2.656                 | 2-1/4"                  | 1-5/8"                  |

\*Normal: may vary slightly depending on cable's diameter †Consult factory for 90° & 45° dimensions

Cord Connectors 5



Made in the USA Since 1946

## Strain Relief Cord Connectors 90°

- Industrial specification grade, screw steel, zinc plated
- Provides a UL liquid tight and strain relief termination for flexible type, neoprene, vinyl, or PVC control cord and cable
- Color-coded grommet to indicate cable diameter range



UL rated suitable for hazardous locations  
Class I, Div. 2; Class II, Div. 1 and 2;  
Class III, Div. 1 and 2; NEC 501-4(b), 505-4(a), 503-3(a)

## SPEC-grade



Featuring:  
**EZ-Torque Compression Nut**

## 90° Angle Connectors<sup>†</sup>

| Cat. #       | Color  | Size | Cable Ranges |       | Unit Ctn | Std Pkg | WT/ 100 |
|--------------|--------|------|--------------|-------|----------|---------|---------|
|              |        |      | Min.         | Max   |          |         |         |
| CG50A25090   | Red    | 1/2" | .150         | .250  | 10       | 100     | 26      |
| CG50A35090   | White  | 1/2" | .250         | .350  | 10       | 100     | 26      |
| CG50A45090   | Blue   | 1/2" | .350         | .460  | 10       | 100     | 26      |
| CG50A56090   | Green  | 1/2" | .450         | .560  | 10       | 100     | 26      |
| CG50A65090   | Brown  | 1/2" | .560         | .650  | 10       | 100     | 26      |
| CG75A25090   | Red    | 3/4" | .150         | .250  | 5        | 50      | 48      |
| CG75A35090   | White  | 3/4" | .250         | .350  | 5        | 50      | 48      |
| CG75A45090   | Blue   | 3/4" | .350         | .460  | 5        | 50      | 48      |
| CG75A56090   | Green  | 3/4" | .450         | .560  | 5        | 50      | 48      |
| CG75A65090   | Brown  | 3/4" | .560         | .650  | 5        | 50      | 48      |
| CG75B75090   | Yellow | 3/4" | .650         | .750  | 5        | 50      | 48      |
| CG75B85090   | Purple | 3/4" | .750         | .850  | 5        | 50      | 48      |
| CG100B56090  | Green  | 1"   | .450         | .560  | 5        | 25      | 68      |
| CG100B65090  | Brown  | 1"   | .560         | .650  | 5        | 25      | 68      |
| CG100B75090  | Yellow | 1"   | .650         | .750  | 5        | 25      | 68      |
| CG100B85090  | Purple | 1"   | .750         | .850  | 5        | 25      | 68      |
| CG100C95090  | Grey   | 1"   | .850         | .950  | 5        | 25      | 68      |
| CG100C105090 | Black  | 1"   | .950         | 1.050 | 5        | 25      | 68      |

Cord Connectors 6



Made in the USA Since 1946

## Strain Relief Cord Connectors 45°

**SPEC-grade**

- Industrial specification grade, screw steel, zinc plated
- Provides a UL liquid tight and strain relief termination for flexible type, neoprene, vinyl, or PVC control cord and cable
- Color-coded grommet to indicate cable diameter range



UL rated suitable for hazardous locations  
Class I, Div. 2; Class II, Div. 1 and 2;  
Class III, Div. 1 and 2; NEC 501-4(b), 505-4(a), 503-3(a)



Featuring:  
**EZ-Torque Compression Nut**

## 45° Angle Connectors<sup>†</sup>

| Cat. #       | Color  | Size | Cable Ranges |       | Unit | Std | WT/ |
|--------------|--------|------|--------------|-------|------|-----|-----|
|              |        |      | Min.         | Max   | Ctn  | Pkg | 100 |
| CG50A25045   | Red    | 1/2" | .150         | .250  | 10   | 100 | 26  |
| CG50A35045   | White  | 1/2" | .250         | .350  | 10   | 100 | 26  |
| CG50A45045   | Blue   | 1/2" | .350         | .450  | 10   | 100 | 26  |
| CG50A56045   | Green  | 1/2" | .450         | .560  | 10   | 100 | 26  |
| CG50A65045   | Brown  | 1/2" | .560         | .650  | 10   | 100 | 26  |
| CG75A25045   | Red    | 3/4" | .150         | .250  | 5    | 50  | 48  |
| CG75A35045   | White  | 3/4" | .250         | .350  | 5    | 50  | 48  |
| CG75A45045   | Blue   | 3/4" | .350         | .450  | 5    | 50  | 48  |
| CG75A56045   | Green  | 3/4" | .450         | .560  | 5    | 50  | 48  |
| CG75A65045   | Brown  | 3/4" | .560         | .650  | 5    | 50  | 48  |
| CG75B75045   | Yellow | 3/4" | .650         | .750  | 5    | 50  | 48  |
| CG75B85045   | Purple | 3/4" | .750         | .850  | 5    | 50  | 48  |
| CG100B56045  | Green  | 1"   | .450         | .560  | 5    | 25  | 68  |
| CG100B65045  | Brown  | 1"   | .560         | .650  | 5    | 25  | 68  |
| CG100B75045  | Yellow | 1"   | .650         | .750  | 5    | 25  | 68  |
| CG100B85045  | Purple | 1"   | .750         | .850  | 5    | 25  | 68  |
| CG100C95045  | Grey   | 1"   | .850         | .950  | 5    | 25  | 68  |
| CG100C105045 | Black  | 1"   | .950         | 1.050 | 5    | 25  | 68  |

<sup>†</sup> Consult factory for 90° & 45° dimensions

Cord Connectors 7





## Selection Table For Cords 1/2" to 1"

| Cat. #     | Size | Cable Ranges |       | For Types                                               | For Types SJ, STO, SJT                       |
|------------|------|--------------|-------|---------------------------------------------------------|----------------------------------------------|
|            |      | Min.         | Max   | S, SO, ST & STO                                         | SJTO, SVO and Bus Drop                       |
| CG50A250   | 1/2" | .150         | .250  |                                                         | 18-2,3 SVO                                   |
| CG50A350   | 1/2" | .250         | .350  |                                                         | 18-2,3 SJT, 18-2,3,4 SJO 16-2,3, SJO         |
| CG50A450   | 1/2" | .350         | .450  | 18-2,3,4 16-2,3,4                                       | 16-4 SJO 14-2,3,4 SJO 12-2 SJO 14-3 Bus Drop |
| CG50A560   | 1/2" | .450         | .560  | 18-5,6,7 16-5,6 14-2,3                                  | 12-3 SJO 12-3 & 10-3 Bus Drop                |
| CG50A650   | 1/2" | .560         | .650  | 18-8,10 16-7,8 14-4 12-2,3 10-2                         |                                              |
| CG75A250   | 3/4" | .150         | .250  |                                                         | 18-2,3 SVO                                   |
| CG75A350   | 3/4" | .250         | .350  |                                                         | 18-2,3 SJT 18-2,3,4 SJO 16-2,3 SJO           |
| CG75A450   | 3/4" | .350         | .450  | 18-2,3,4 16-2,3,4                                       | 16-4 SJO 14-2,3,4 SJO 12-2 SJO 14-3 Bus Drop |
| CG75A560   | 3/4" | .450         | .560  | 18-5,6,7 16-5,6 14-2,3                                  | 12-3 SJO 12-3 & 10-3 Bus Drop                |
| CG75A650   | 3/4" | .560         | .650  | 18-8,10 16-7,8 14-4 12-2,3 10-2                         |                                              |
| CG75B750   | 3/4" | .650         | .750  | 18-12,14 16-10,12 14-5,6,<br>12-4,5 10-3,4 8-2          | 8-3 Bus Drop                                 |
| CG75B850   | 3/4" | .750         | .850  | 18-16,18,20 16-14,16,18 14-8<br>12-6,7,8 10-5 8-3,4 6-2 | 6-3 Bus Drop                                 |
| CG100B560  | 1"   | .450         | .560  | 18-5,6,7 16-5,6 14-2,3                                  | 12-3 SJO 12-3 & 10-3 Bus Drop                |
| CG100B650  | 1"   | .560         | .650  | 18-8,10 16-7,8 14-4 12-2,3 10-2                         |                                              |
| CG100B750  | 1"   | .650         | .750  | 18-12,14 16-10,12 14-5,6,7<br>12-4,5 10-3,4 8-2         | 8-3 Bus Drop                                 |
| CG100B850  | 1"   | .750         | .850  | 18-16,18,20 16-14,16,18 14-8<br>12-6,7,8 10-5 8-3,4 6-2 | 6-3 Bus Drop                                 |
| CG100C950  | 1"   | .850         | .950  | 18-22,24,26 16-20,22,24<br>14-10,12 10-6,7,8 6-3,4      | 4-3 Bus Drop                                 |
| CG100C1050 | 1"   | .950         | 1.050 |                                                         | 18-30 16-26 14-14,16 12-10 4-3               |



# AMERICAN FITTINGS Corporation



Made in the USA Since 1946

FLEXIBLE CORD  
Selection Table for Cords  
Size Range: 1 1/4" to 2"

## Selection Table For Cords 1 1/4" to 2"

| Cat. #     | Size   | Cable Ranges |       | For Types                                               | For Types SJ, STO, SJT |
|------------|--------|--------------|-------|---------------------------------------------------------|------------------------|
|            |        | Min.         | Max   | S, SO, ST & STO                                         | SJTO, SVO and Bus Drop |
| CG125C850  | 1-1/4" | .750         | .850  | 18-16,18,20 16-14,16,18 14-8<br>12-6,7,8 10-5 8-3,4 6-2 | 6-3 Bus Drop           |
| CG125C950  | 1-1/4" | .850         | .950  | 18-22,24,26 16-20,22,24<br>14-10,12, 10-6,7,8 6-3,4     | 4-3 Bus Drop           |
| CG125D1050 | 1-1/4" | .950         | 1.050 | 18-30 16-26 14-14,16 12-10 4-3                          |                        |
| CG125D1150 | 1-1/4" | 1.050        | 1.150 | 18-36,40 16-30,36 14-18,20<br>12-12,14 10-10 4-4        | 2-3 Bus Drop           |
| CG125D1250 | 1-1/4" | 1.150        | 1.250 | 16-40 14-22 12-16,18 10-12,14 2-3                       |                        |
| CG125D1375 | 1-1/4" | 1.250        | 1.375 | 14-24,26,30 12-20 10-16 2-4                             |                        |
| CG150D1050 | 1-1/2" | .950         | 1.050 | 18-30 16-26 14-14,16 12-10 4-3                          |                        |
| CG150D1150 | 1-1/2" | 1.050        | 1.150 | 18-36,40 16-30,36 14-18,20<br>12-12,14 10-10 4-4        | 2-3 Bus Drop           |
| CG150D1250 | 1-1/2" | 1.150        | 1.250 | 16-40 14-22 12-16,18 10-12,14 2-3                       |                        |
| CG150D1375 | 1-1/2" | 1.250        | 1.375 | 12-24,26,30 12-20 10-16 2-4                             |                        |
| CG150E1500 | 1-1/2" | 1.380        | 1.500 | 3-4, 2-4, 1-2                                           |                        |
| CG150E1630 | 1-1/2" | 1.500        | 1.630 | 1/0-2, 1-3                                              |                        |
| CG150E1750 | 1-1/2" | 1.630        | 1.750 | 2/0-2,3 1/0-3 1-4                                       |                        |
| CG150E1880 | 1-1/2" | 1.750        | 1.880 | 4/0-2 3/0-2,3 2/0-3 1/0-4                               |                        |
| CG200F1380 | 2"     | 1.250        | 1.380 | 4-4, 3-4, 2-3,2                                         |                        |
| CG200F1500 | 2"     | 1.380        | 1.500 | 3-4, 2-4, 1-2                                           |                        |
| CG200F1630 | 2"     | 1.500        | 1.630 | 1/0-2 1-3                                               |                        |
| CG200F1750 | 2"     | 1.630        | 1.750 | 2/0-2,3 1/0-3 1-4                                       |                        |
| CG200F1810 | 2"     | 1.690        | 1.810 | 3/0-2,3 2/0-3 1-4 1/0-4                                 |                        |
| CG200F1880 | 2"     | 1.750        | 1.880 | 4/0-2, 3/0-2,3 2/0-3 1/0-4                              |                        |
| CG200F1940 | 2"     | 1.810        | 1.940 | 4/0-2 2/0-4                                             |                        |
| CG200F2060 | 2"     | 1.940        | 2.060 |                                                         |                        |