



LEVITON®

50 Amp Wiring Devices

**Non-NEMA Locking Plugs, Connectors,
Receptacles, and Flanged Inlets**

For Industrial, Commercial & OEM Applications

Table of Contents

Black & White™ 50Amp Non-NEMA Locking Devices

Rugged, Secure Connections for Construction & Manufacturing Sites

Black & White 50Amp Non-NEMA Locking devices are designed for faster wiring and longer life. Made from tough, impact resistant nylon housings and metal shrouds, these plugs, connectors, receptacles, and flanged inlets are designed for rugged environments like construction sites, commercial shipyards, & convention centers.

Fabricated for broad utility, they easily mate with competitors' devices and are certified to meet UL, CSA, and NOM standards. All devices are RoHS compliant making Leviton's 50Amp device line your environmentally responsible choice.

Leviton offers a full complement of flip lids and boots for usage in dust-laden environments and marine areas.

Non-NEMA Locking Configurations:

Standard Locking

- 2P, 3W 250V DC/600V AC
- 3P, 4W 250V DC/600V AC
- Plugs, Connectors, Receptacles, & Flanged Inlets
- Cast Metal Flip Lid

California-Style Locking

- 2P, 3W 125V, 250V & 480V
- 3P, 4W 125V/250V, 3Ø 250V & 3Ø 480V
- Plugs, Connectors, Receptacles, & Flanged Inlets
- Cast Metal Flip Lid

Corrosion Resistant Locking

- 2P, 3W 125V • 3P, 4W 125V/250V
- Plugs, Connectors, Receptacles, & Flanged Inlets with nickel plated contacts & blades plus stainless steel shrouds & screws
- Thermoplastic Flip Lid & Boots



Innovative Design Means Easier-to-Wire and Longer Life

Working closely with commercial and industrial electricians, Leviton's engineers imagined something better. The new Black & White 50Amp devices wire faster and with greater accuracy. Their construction extends device life and reduces equipment downtime.

Easier-to-Wire



- Screwless face module for plugs & connectors
- External cable clamp with screws in one plane
- Screwless cable clamp for plugs and connectors
- Single piece flanged inlet that wires in one step

Longer Life



- Receptacle and plug metal shrouds for reliable and durable connections
- Single piece stainless steel strap for continuous conductivity and corrosion resistance

For a complete list of device configurations and catalogue numbers, see page 6. For accessories such as flip lids and boots, see page 13.

Black & White 15, 20, & 30Amp NEMA Straight Blade and Locking Devices

These rugged Black & White devices launched Leviton's industrial connection line and earned it a reputation for sturdy, tough industrial products. Designed with impact resistant nylon, thick-walled housings, and single piece brass contacts, these devices help your equipment run longer.

Always imagining something better, we added the Power Indication feature to plugs, connectors, and duplex receptacles. With Power Indication, a green light glows when energy is present. It makes for a safer workplace and faster troubleshooting.

Locking Devices - Power Indication & Corrosion Resistant

- 15, 20, & 30Amp, 125V to 600V
- Plugs, Connectors & Receptacles

Straight Blade Devices - Power Indication, Hospital Grade, and Corrosion Resistant

- 15 & 20Amp, 125V to 250V
- Plugs, Connectors & Receptacles
- Flip Lids and Wallplates



Wetguard® Watertight and Dust Tight Straight Blade and Locking Devices

Wetguard 15, 20 and 30Amp devices are watertight and dust tight for safer connections in wet, dusty environments. Made from UV resistant Santoprene® TPE with nickel plated contacts or blades and stainless steel screws, Wetguard devices last longer when exposed to aggressive outdoor environments than general purpose devices.

They meet IEC IP standards (IP66/67) for dust tight, power jetting, and temporary immersion. Plus they meet UL enclosure standards 3R, 4X, & 12K, making Wetguard devices the connection choice for food processing plants, commercial shipyards, and commercial construction sites.

Wetguard Devices & Accessories:

Locking Devices

- 15, 20, & 30Amp, 125V to 600V
- Plugs, Connectors & Receptacles

Straight Blade Devices

- 15 & 20Amp, 125V to 250V
- Plugs, Connectors & Receptacles

Accessories

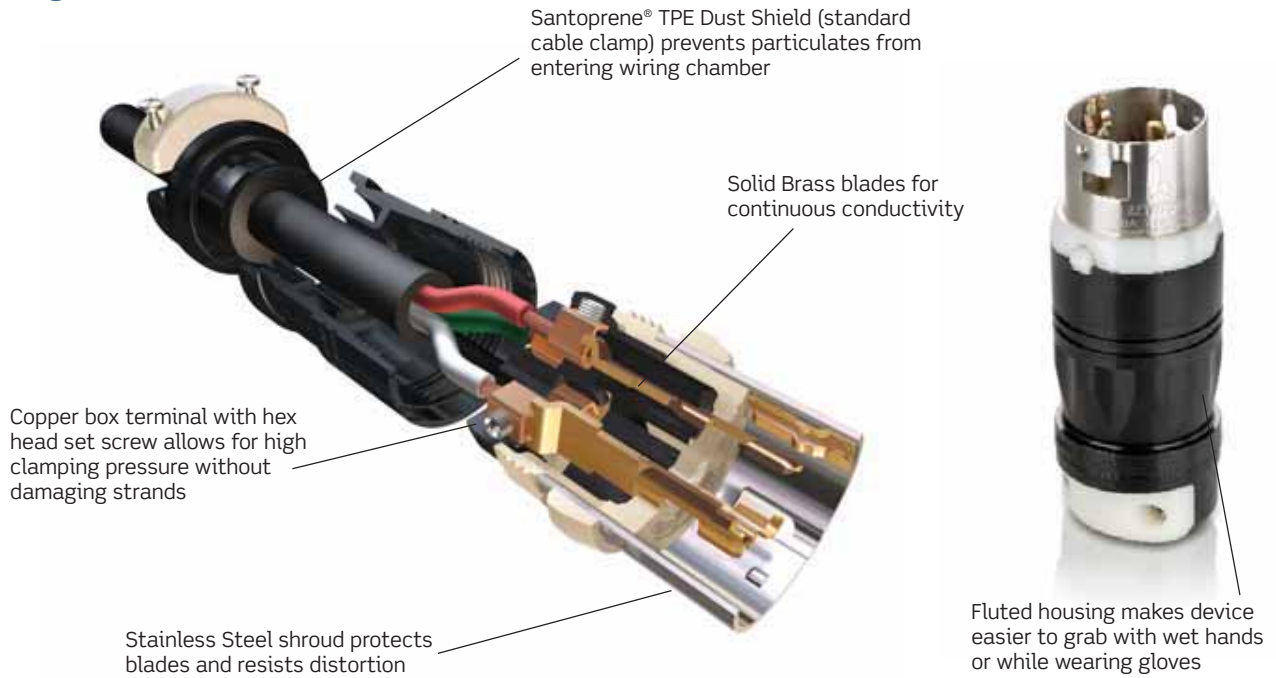
- Flip Lids, Plug Caps, & FD Boxes



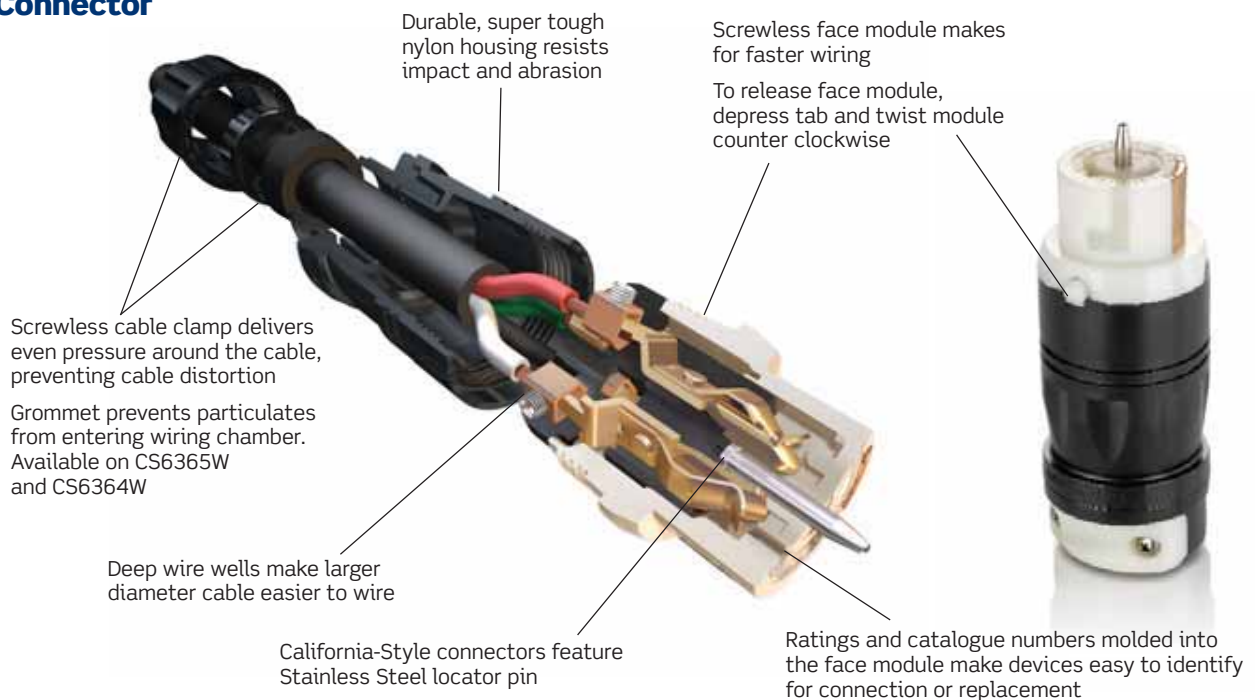
50AMP PLUG & CONNECTOR FEATURES



Plug



Connector



STANDARDS & CERTIFICATIONS

RoHS Compliant	UL 498	CSA C22.2 No. 42	NOM
✓	#E13399	✓	✓

Leviton Manufacturing Co, Inc.

59-25 Little Neck Pkwy, Little Neck, NY 11362-2591 Tech Line: 1-800-824-3005 Fax: 1-800-832-9538 www.leviton.com
 © 2008 Leviton Manufacturing Co., Inc. All rights reserved. Subject to change without notice.

Flanged Inlet

Single piece assembly for fast, easy wiring and maintenance

Zinc plated steel casing protects face module yet still allows for quick terminal access

Molded-in strip gauge makes for fast, accurate wire stripping

Deep wire wells make larger diameter cable easier to wire

Nylon face and body for heat and impact resistance

Copper box terminal with hex head set screw allows for high clamping pressure without damaging strands

Zinc plated steel casing resists impact, abuse and distortion

Solid Brass blades are standard for continuous conductivity

CR devices feature nickel plated Brass contacts and zinc plated Brass casing for corrosion resistance

Receptacle

Reinforced nylon face, body, and back for heat and impact resistance

Solid Brass contacts for continuous conductivity

Ratings and catalogue numbers molded into face module make for fast, easy identification or replacement

Deep wire wells make larger diameter cable easier to wire

California-Style receptacles feature Stainless Steel locator pin

Copper box terminal with hex head set screw allows for high clamping pressure without damaging strands

Metal shroud makes for reliable and durable connection to shrouded plugs

Single piece, Stainless Steel mounting strap for continuous conductivity and secure ground path

STANDARDS & CERTIFICATIONS

RoHS Compliant	UL 498	CSA C22.2 No. 42	NOM
✓	#E13399	✓	✓

Leviton Manufacturing Co, Inc.

59-25 Little Neck Pkwy, Little Neck, NY 11362-2591 Tech Line: 1-800-824-3005 Fax: 1-800-832-9538 www.leviton.com
 © 2008 Leviton Manufacturing Co., Inc. All rights reserved. Subject to change without notice.

50AMP DEVICE AND ACCESSORY LISTING



Configurations

POLES/ WIRES	AMPS	VOLTS PHASE	TYPE	PLUG <i>Page 7</i>	CONNECTOR <i>Page 7</i>	RECEPTACLE <i>Page 9</i>	FLANGED INLET <i>Page 11</i>
2-Pole 3-Wire	50	250V DC/ 600V AC	Standard	3763C	3762C	3771	3777
	50	125V	California-Style	CS6361C	CS6360C	CS6370	CS6377
		250V	California-Style	CS8265C	CS8264C	CS8269	CS8275
		480V	California-Style	CS8465C	CS8464C	CS8469	CS8475
		125V	Corrosion Resistant	6361CR	6360CR	6370CR	6377CR
3-Pole 4-Wire	50	250V DC/ 600V AC	Standard	3765C	3764C	3769	3775
		250V DC/ 600V AC	Standard	7765C	7764C	7379	7958
	50	125/ 250V	California-Style	CS6365C CS6365W	CS6364C CS6364W	CS6369	CS6375
		3Ø 250V	California-Style	CS8365C	CS8364C	CS8369	CS8375
		3Ø 480V	California-Style	CS8165C	CS8164C	CS8169	CS8175
	50	125/ 250V	Corrosion Resistant	6365CR	6364CR	6369CR	6375CR

7770 7788CR 7715CR 7717CR L8003



Accessories — See page 13 for details

CAT. NO.	Metal Flip Lid	Thermoplastic Flip Lid	Boots		Wire Mesh Connection Grips
			Type	Black	
	7770	7788CR	Plug	7715CR	7715CR-Y
			Connector	7717CR	7717CR-Y

50A, Non-NEMA Locking Plugs & Connectors

Black & White™ Industrial Grade
2-Pole, 3-Wire Grounding and 3-Pole, 4-Wire Grounding

Connector Cat. No.:

3762C, 3764C, 7764C, CS8264C, CS8464C, CS6364C, CS6364W, CS8364C, CS8164C, 6360CR, 6364CR

Plug Cat. No.:

3763C, 3765C, 7765C, CS8361C, CS8265C, CS8465C, CS6365C, CS6365W, CS8365C, CS8165C, 6361CR, 6365CR

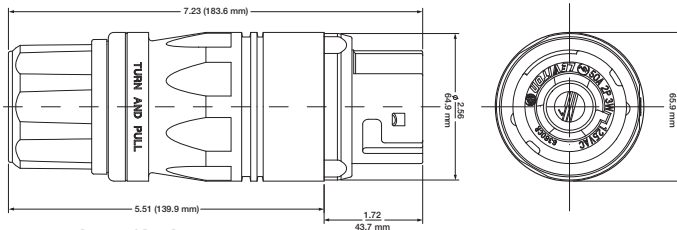
Application

In accordance with the NEC, these devices are suitable for use in all 50 ampere branch circuits of 125V, 250V, 480V, 250V DC/600V AC, or 125/250V industrial installations where UL 498 standards of mechanical & electrical life are specified.

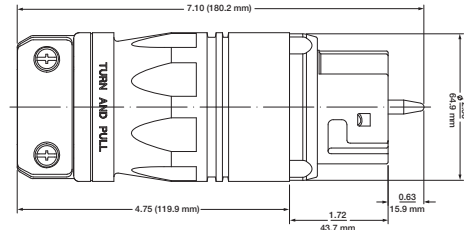


Component	General Purpose		Corrosion Resistant
	Standard Style Locking	California-Style Locking	Standard Locking
Face Module	Nylon	Nylon	Nylon
Wiring Chamber	Nylon	Nylon	Nylon
Assembly Screw	Brass	Brass	Nickel Plated Brass
Housing	Nylon	Nylon	Nylon
Dust Shield	Santoprene® TPE	Santoprene TPE	Santoprene TPE
Terminal Block	0.062inch thick Copper	0.062inch thick Copper	0.062inch thick Nickel Plated Copper
Terminal Set Screw	SS 302/304	SS 302/304	SS 302/304
Ground Shunt	Bronze	Bronze	Nickel Plated Bronze
Ground Post	Brass	Brass	Nickel Plated Brass
Plug Blade	0.100inch thick Brass	0.100inch thick Brass	0.100inch thick Nickel Plated Brass
Plug Blade Shroud	SS 302/304	SS 302/304	SS 302/304
Connector Contact - Spring	0.041inch thick Brass	0.041inch thick Brass	0.041inch thick Nickel Plated Brass
Connector Contact – Binding Plate	0.100inch thick Brass	0.100inch thick Brass	0.100inch thick Nickel Plated Brass
Connector Contact Rivet	Brass	Brass	Nickel Plated Brass
Connector Center Pin – CS Device	----	SS 302/304	----
Standard Cable Clamp	Nylon	Nylon	Nylon
Standard Cable Clamp Screw – Philips head	SS 304	SS 304	SS 304
Screwless Cable Clamp			
Compression Nut	Nylon	Nylon	Nylon
Grommet	Santoprene TPE	Santoprene TPE	Santoprene TPE
Strain Relief	Nylon	Nylon	Nylon
Certifications and Code Compliance	The plugs and connectors listed herein comply with UL 498 (UL file # E13399), CSA C22.2 No. 42 and meet Mexican NOM standards. They are RoHS compliant. Leviton 50Amp locking plugs and connectors are suitable for use in accordance with federal, state, county, municipal and local codes.		

50Amp Connector

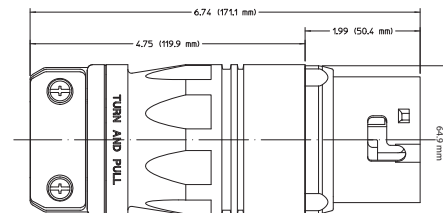
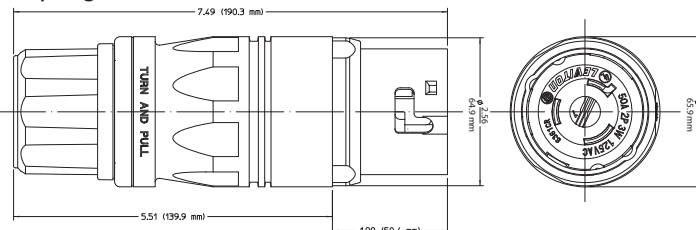


Features Screwless Cable Clamp



Features Standard Cable Clamp

50Amp Plug



Leviton Manufacturing Co, Inc.

59-25 Little Neck Pkwy, Little Neck, NY 11362-2591 Tech Line: 1-800-824-3005 Fax: 1-800-832-9538 www.leviton.com
 © 2008 Leviton Manufacturing Co., Inc. All rights reserved. Subject to change without notice.

50A, NON-NEMA LOCKING PLUGS & CONNECTORS

SPECIFICATIONS

50Amp, locking blade, 2-pole, 3-wire grounding and 3-pole, 4-wire grounding plugs and connectors shall be Leviton Underwriters Laboratories Listed, UL 498, and comply with CSA requirements. Ratings and corrosion resistance as specified on plan.

FEATURES AND BENEFITS

- Durable, super tough nylon housing resists impact and abrasion
- Nylon face module for heat and impact resistance
- Deep wire wells make larger diameter cable easier to wire
- Stainless steel shroud protects blades and resists distortion which prevents connection of disparate devices
- Copper box terminal with hex head set screw allows for high clamping pressure without damaging strands
- Screwless face module makes for faster wiring
- Available with screwless cable clamp for fastest assembly*
- Screwless cable clamp delivers even pressure around the cable preventing cable distortion
- **CR devices** feature nickel plated brass contacts and stainless steel screws for corrosion resistance
- Ratings and catalogue numbers molded into face module and stamped into stainless steel shroud make devices easy to identify for connection or replacement
- Dust Shield (standard cable clamp) or Grommet (screwless cable clamp) prevents particulates from entering wiring chamber



PERFORMANCE SPECIFICATIONS

Electrical	
Dielectric Voltage	Withstands 2000V minimum per UL 498
Maximum Working Voltage	125V or 250V or 480V or 250V DC/600 V AC as rated on device
Current Interrupting	Certified for current interrupting at full rated current
Temperature Rise	Maximum 30°C temperature rise at full-rated current after 150 cycles of overload at 150% rated DC current
Mechanical	
Terminal Identification	X, W, Y, Z and Green for ground
Terminal Accommodation	#10 min to #4 max AWG Solid or Stranded Wire
Product Identification	Ratings and Catalogue No. molded into face and stamped into shroud
Environmental	
Flammability	Rated UL 94 HB
Operating Temperature	-40°C to 75°C (-40°F to 167°F)

PERFORMANCE SPECIFICATIONS

Poles Wires	Description	Device Style	Color	Plug Cat. No.	Connector Cat. No.	Non-NEMA Config.
2-Pole 3-Wire	50A, 250V DC/600V AC	Std Locking	Black-White	3763C	3762C	
	50A, 125V, California-Style	CS Locking	Black-White	CS6361C	CS6360C	
	50A, 250V, California-Style	CS Locking	Black-White	CS8265C	CS8264C	
	50A, 480V, California-Style	CS Locking	Black-White	CS8465C	CS8464C	
	50A, 125V, Corrosion Resistant	CR Std Locking	Yellow-White	6361CR	6360CR	
3-Pole 4-Wire	50A, 250V DC/600V AC	Std Locking	Black-White	3765C	3764C	
	50A, 250V DC/600V AC	Std Locking	Black-White	7765C	7764C	
	50A, 125/250V, California-Style	CS Locking	Black-White	CS6365C	CS6364C	
	50A, 125/250V, California-Style	CS Locking, Screwless Cable Clamp*	Black-White	CS6365W	CS6364W	
	50A, 250V 3Ø, California-Style	CS Locking	Black-White	CS8365C	CS8364C	
	50A, 480V 3Ø, California-Style	CS Locking	Black-White	CS8165C	CS8164C	
	50A, 125/250V, Corrosion Resistant	CR Std Locking	Yellow-White	6365CR	6364CR	

Leviton Manufacturing Co, Inc.

59-25 Little Neck Pkwy, Little Neck, NY 11362-2591 Tech Line: 1-800-824-3005 Fax: 1-800-832-9538 www.leviton.com

© 2008 Leviton Manufacturing Co., Inc. All rights reserved. Subject to change without notice.

Black & White is a registered trademark of Leviton Mfg. Inc. Santoprene is a registered trademark of Advanced Elastomer Systems.



50A, Non-NEMA Locking Receptacles

Black & White™ Industrial Grade 50 Amp Locking Receptacles 2-Pole, 3-Wire Grounding and 3-Pole, 4-Wire Grounding

Cat. Nos.:

3771, CS6370, CS8269, CS8469 and 6370CR
3769, 7379, CS6369, CS8369, CS8169 and 6369CR

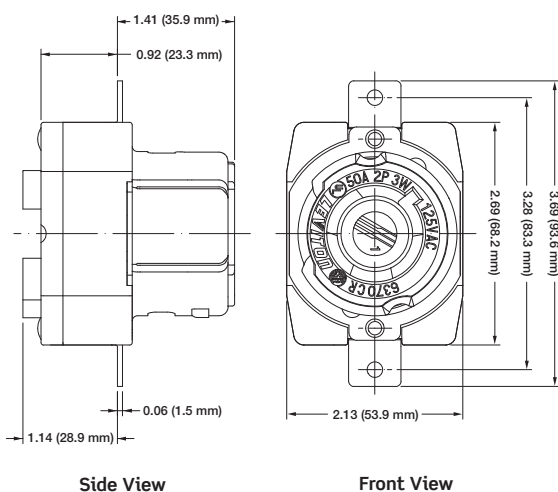
Application

In accordance with the NEC, these devices are suitable for use in all 50 ampere branch circuits of 125V, 250V, 480V, 250V DC/600V AC, or 125/250V industrial installations where UL498 standards of mechanical and electrical life are specified.

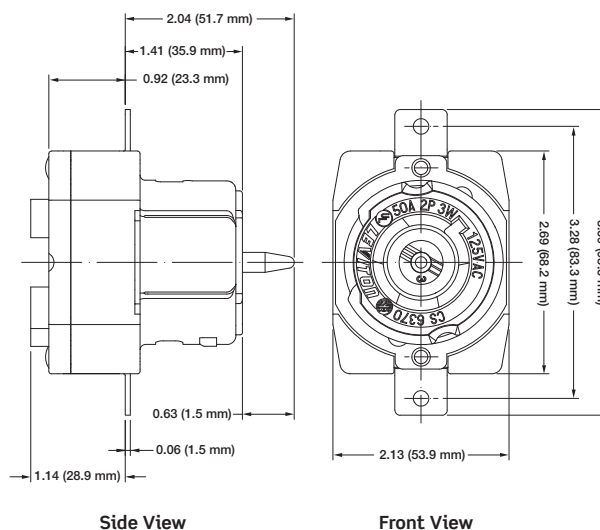


Component	General Purpose		Corrosion Resistant
	Standard Style Locking	California-Style Locking	Standard Locking
Face Module	Reinforced Nylon	Reinforced Nylon	Reinforced Nylon
Body & Contact Carrier	Reinforced Nylon	Reinforced Nylon	Reinforced Nylon
Shroud	0.062inch thick Nickel Plated Steel	0.062inch thick Nickel Plated Steel	0.062inch thick SS 302/304
Back Cover	Reinforced Nylon	Reinforced Nylon	Reinforced Nylon
Single Piece Mounting Strap	SS 302/304	SS 302/304	SS 302/304
Mounting Screws	SS 302/304	SS 302/304	SS 302/304
Assembly Rivets	SS 302/304	SS 302/304	SS 302/304
Center Pin – CS Device	----	SS 302/304	----
Contact - Spring	0.041inch thick Brass	0.041inch thick Brass	0.041inch thick Nickel Plated Brass
Contact – Binding Plate	0.100inch thick Brass	0.100inch thick Brass	0.100inch thick Nickel Plated Brass
Contact Rivet	Brass	Brass	Nickel Plated Brass
Box Terminal	0.062inch thick Copper	0.062inch thick Copper	0.062inch thick Nickel Plated Copper
Terminal Set Screw	SS 302/304	SS 302/304	SS 302/304
Certifications and Code Compliance	The receptacles listed herein comply with UL 498 Listing (UL file # E13399), CSA C22.2 No. 42 and meet Mexican NOM standards. They are RoHS compliant. Leviton 50Amp locking receptacles are suitable for use in accordance with federal, state, county, municipal and local codes.		

50A, Standard Locking Receptacle including Corrosion Resistant



50A, California-Style Locking Receptacle



Leviton Manufacturing Co, Inc.

59-25 Little Neck Pkwy, Little Neck, NY 11362-2591 Tech Line: 1-800-824-3005 Fax: 1-800-832-9538 www.leviton.com
© 2008 Leviton Manufacturing Co., Inc. All rights reserved. Subject to change without notice.

SPECIFICATIONS

50Amp, locking blade, 2-pole, 3-wire grounding and 3-pole, 4-wire grounding receptacles shall be Leviton Underwriters Laboratories Listed and comply with CSA requirements. Receptacle shall include single piece mounting strap. Ratings and corrosion resistance as scheduled on plan.

FEATURES AND BENEFITS

- Single piece, stainless steel mounting strap with integral ground contact for continuous conductivity and secure ground path
- Metal shroud makes for reliable and durable connection to shrouded plugs
- Reinforced nylon face, body, and back for heat and impact resistance
- Molded-in strip gauge makes for fast, accurate wire stripping
- Deep wire wells make larger diameter cable easier to wire
- Copper box terminal with hex head set screw allows for high clamping pressure without damaging strands
- **CR devices** feature nickel plated brass contacts and stainless steel screws for corrosion resistance
- Ratings and catalogue numbers molded into face module make for fast, easy identification or replacement



PERFORMANCE SPECIFICATIONS

Electrical	
Dielectric Voltage	Withstands 2000V minimum per UL 498
Maximum Working Voltage	125V or 250V or 480V or 250V DC/600 V AC as rated on device
Current Interrupting	Certified for current interrupting at full rated current
Temperature Rise	Maximum 30°C temperature rise at full-rated current after 150 cycles of overload at 150% rated DC current
Mechanical	
Terminal Identification	X, W, Y, Z and Green for ground
Terminal Accommodation	#10min to #6max AWG Solid or Stranded Wire (Stranded wire for ground only.)
Product Identification	Ratings and Catalogue No. molded into face
Environmental	
Flammability	Rated UL 94 V-0
Operating Temperature	-40°C to 75°C (-40°F to 167°F)

ORDERING INFORMATION

Poles Wires	Description	Device Style	Color	Cat. No.	Non-NEMA Config.
2-Pole 3-Wire	50A, 250V DC/600V AC Receptacle	Std Locking	Black	3771	
	50A, 125V, California-Style Receptacle	CS Locking	Black	CS6370	
	50A, 250V, California-Style Receptacle	CS Locking	Black	CS8269	
	50A, 480V, California-Style Receptacle	CS Locking	Black	CS8469	
	50A, 125V, Corrosion Resistant Receptacle	CR Std Locking	Black	6370CR	
3-Pole 4-Wire	50A, 250V DC/600V AC Receptacle	Std Locking	Black	3769	
	50A, 250V DC/600V AC Receptacle	Std Locking	Black	7379	
	50A, 125/250V, California-Style Receptacle	CS Locking	Black	CS6369	
	50A, 250V 3Ø, California-Style Receptacle	CS Locking	Black	CS8369	
	50A, 480V 3Ø, California-Style Receptacle	CS Locking	Black	CS8169	
	50A, 125/250V, Corrosion Resistant Receptacle	CR Std Locking	Black	6369CR	

Leviton Manufacturing Co, Inc.

59-25 Little Neck Pkwy, Little Neck, NY 11362-2591 Tech Line: 1-800-824-3005 Fax: 1-800-832-9538 www.leviton.com

© 2008 Leviton Manufacturing Co., Inc. All rights reserved. Subject to change without notice.

Black & White is a registered trademark of Leviton Mfg. Inc.



50A, Non-NEMA Locking Flanged Inlets

**Black & White™ Industrial Grade 50 Amp Locking Flanged Inlets
2-Pole, 3-Wire Grounding and 3-Pole, 4-Wire Grounding**

Cat. Nos.:

3777, CS6377, CS8275, CS8475, 6377CR, 7958, 3775, CS6375, CS8375, CS8175, 6375CR

Application

In accordance with the NEC, these devices are suitable for use in all 50 ampere branch circuits of 125V, 250V, 480V, 250V DC/600V AC or 125/250V industrial installations where UL498 standards of mechanical and electrical life are specified.



Component	General Purpose		Corrosion Resistant
	Standard Style Locking	California-Style Locking	Standard Locking
Face Module	Nylon	Nylon	Nylon
Body & Contact Carrier	Nylon	Nylon	Nylon
Flanged Casing	Zinc Plated Steel	Zinc Plated Steel	Zinc Plated Brass
Inlet Blade	0.100inch thick Brass	0.100inch thick Brass	0.100inch thick Nickel Plated Brass
Terminal Block	0.062inch thick Copper	0.062inch thick Copper	0.062inch thick Nickel Plated Copper
Terminal Set Screw	SS 302/304	SS 302/304	SS 302/304
Grounding Shunt	Bronze	Bronze	Nickel Plated Bronze
Grounding Shunt Rivet	Brass	Brass	Nickel Plated Brass
Certifications and Code Compliance	The flanged inlets listed herein comply with UL 498 Listing (UL file # E13399), CSA C22.2 No. 42 and meet Mexican NOM standards. They are RoHS compliant. Leviton 50Amp locking flanged inlets are suitable for use in accordance with federal, state, county, municipal and local codes.		

ORDERING INFORMATION

Poles Wires	Description	Device Style	Color	Cat. No.	Non-NEMA Config.
2-Pole 3-Wire	50A, 250V DC/600V AC Flanged Inlet	Std Locking	Gray Metal	3777	
	50A, 125V, California-Style Flanged Inlet	CS Locking	Gray Metal	CS6377	
	50A, 250V, California-Style Flanged Inlet	CS Locking	Gray Metal	CS8275	
	50A, 480V, California-Style Flanged Inlet	CS Locking	Gray Metal	CS8475	
	50A, 125V, Corrosion Resistant Flanged Inlet	CR Std Locking	Gray Metal	6377CR	
3-Pole 4-Wire	50A, 250V DC/600V AC Flanged Inlet	Std Locking	Gray Metal	3775	
	50A, 250V DC/600V AC Flanged Inlet	Std Locking	Gray Metal	7958	
	50A, 125/250V, California-Style Flanged Inlet	CS Locking	Gray Metal	CS6375	
	50A, 250V 3Ø, California-Style Flanged Inlet	CS Locking	Gray Metal	CS8375	
	50A, 480V 3Ø, California-Style Flanged Inlet	CS Locking	Gray Metal	CS8175	
	50A, 125/250V, Corrosion Resistant Flanged Inlet	CR Std Locking	Gray Metal	6375CR	

Leviton Manufacturing Co, Inc.

59-25 Little Neck Pkwy, Little Neck, NY 11362-2591 Tech Line: 1-800-824-3005 Fax: 1-800-832-9538 www.leviton.com
© 2008 Leviton Manufacturing Co., Inc. All rights reserved. Subject to change without notice.

50A, NON-NEMA LOCKING FLANGED INLETS

SPECIFICATIONS

50Amp, locking blade, 2-pole, 3-wire grounding and 3-pole, 4-wire grounding flanged inlets shall be Leviton Underwriters Laboratories Listed and comply with CSA requirements. Flanged inlets shall include zinc plated steel casing. Ratings and corrosion resistance as scheduled on plan.

FEATURES AND BENEFITS

- Single Piece Assembly for fast, easy wiring and maintenance. Steel casing protects face module yet still allows for quick terminal access.
- Zinc plated steel casing resists impact, abuse and distortion making for longer life and preventing connection of disparate devices
- Nylon face and body for heat and impact resistance
- Molded-in strip gauge makes for fast, accurate wire stripping
- Deep wire wells make larger diameter cable easier to wire
- Copper box terminal with hex head set screw allows for high clamping pressure without damaging strands
- **CR devices** feature nickel plated brass contacts and zinc plated brass casing for corrosion resistance
- Ratings and catalogue numbers molded into face module make for fast, easy identification or replacement

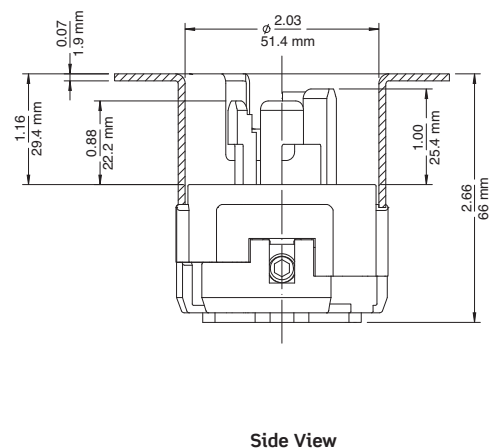
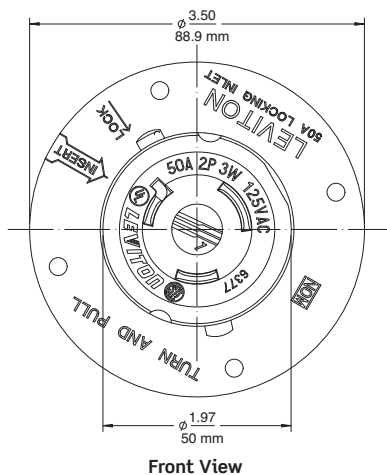


6377 Back

PERFORMANCE SPECIFICATIONS

Electrical	
Dielectric Voltage	Withstands 2000V minimum per UL 498
Maximum Working Voltage	125V or 250V or 480V or 250V DC/600V AC as rated on device
Current Interrupting	Certified for current interrupting at full rated current
Temperature Rise	Maximum 30°C temperature rise at full-rated current after 150 cycles of overload at 150% rated DC current
Mechanical	
Terminal Identification	X, W, Y, Z and Green for ground
Terminal Accommodation	#10min to #4max AWG Solid or Stranded Wire
Product Identification	Ratings and Catalogue No. molded into face
Environmental	
Flammability	Rated UL 94 V-2
Operating Temperature	-40°C to 75°C (-40°F to 167°F)

50Amp Locking Flanged Inlet



Leviton Manufacturing Co., Inc.

59-25 Little Neck Pkwy, Little Neck, NY 11362-2591 Tech Line: 1-800-824-3005 Fax: 1-800-832-9538 www.leviton.com

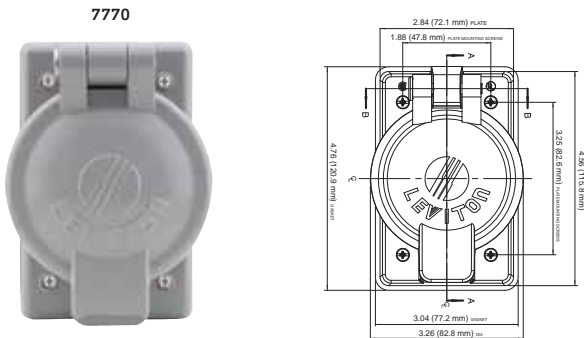
© 2008 Leviton Manufacturing Co., Inc. All rights reserved. Subject to change without notice.

Black & White is a registered trademark of Leviton Mfg. Inc.



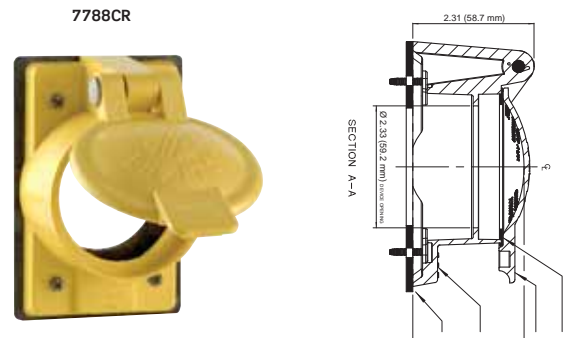
RECEPTACLE ACCESSORIES

- Flip Lids for General Purpose and Corrosion Resistant environments.
- Snap-back lids ensure receptacle is covered when not in-use.



GENERAL PURPOSE

Material: Powder Coated Cast Aluminum
Color: Industrial Gray
Mounting: Four Stainless Steel Screws
Hinge: Stainless Steel Pin & Spring
Gasket: Foam Gasket
Ratings: IP64/NEMA Type 3R
 Dimensions same as 7788CR



CORROSION RESISTANT

Material: Reinforced Polycarbonate Thermoplastic
Color: High Visibility Yellow
Mounting: Four Stainless Steel Screws
Hinge: Stainless Steel Pin & Spring
Gasket: Foam Gasket
Ratings: IP64/NEMA Type 3R
 Dimensions same as 7770

PLUG AND CONNECTOR ACCESSORIES

- For use only with Leviton non-NEMA 50A locking plugs and connectors. Not suitable for use with other 50A devices or boots.
- Reduces the amount of dirt, debris, and water entering a connected plug and connector
- UV resistant Santoprene thermoplastic elastomer construction extends life and reduces cracking
- IP55 rating applies when Leviton 50A plug with boot is fully connected to a Leviton 50A connector with boot.

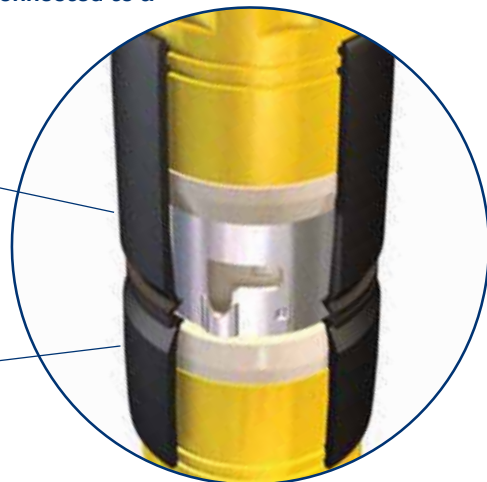
PLUG BOOT

Material: Santoprene Thermoplastic Elastomer
Color: Black and High Visibility Yellow



CONNECTOR BOOT

Material: Santoprene Thermoplastic Elastomer
Color: Black and High Visibility Yellow



CONNECTION GRIPS <ul style="list-style-type: none"> • Protect the plug or connector cable • Easily installs on the standard external cable clamp • Mesh Type: Galvanized Steel, closed, single weave mesh 		Grip Cat. No.	Cable Diameter Inches (cm)	Eye Length Inches (cm)	Mesh Length Inches (cm)
		L8003	0.52 - 0.73 (1.32 - 1.85)	1.687 (4.285)	7 (17.8)
		L8004	0.70 - 0.85 (1.78 - 2.16)	1.937 (4.920)	8.5 (21.6)
		L8005	0.82 - 1.00 (2.08 - 2.54)	1.937 (4.920)	8.5 (21.6)
		L8006	0.94 - 1.25 (2.39 - 3.18)	1.937(4.920)	10.5 (26.7)

Leviton Manufacturing Co, Inc.

59-25 Little Neck Pkwy, Little Neck, NY 11362-2591 Tech Line: 1-800-824-3005 Fax: 1-800-832-9538 www.leviton.com
 © 2008 Leviton Manufacturing Co., Inc. All rights reserved. Subject to change without notice. Black & White is a registered trademark of Leviton Mfg. Inc.

**NEMA Straight Blade & Locking Devices
15 to 30Amp**



Black & White™ General Purpose

Wetguard® Watertight & Corrosion Resistant

Poles/ Wires	AMPS	Voltage	NEMA	Plug	Connector	Receptacle	Plug	Connector	Receptacle
Locking 2-P, 3-W Grounding	15	125V	L5-15	4720-C	4729-C	4710	24W47	25W47	47CM-10
		250V	L6-15	4570-C	4579-C	4560	24W49	25W49	45CM-60
		277V AC	L7-15	4770-C	4779-C	4760	24W34	25W34	47CM-60
	20	125V	L5-20	2311	2313	2310	26W47	27W47	23CM-10
		250V	L6-20	2321	2323	2320	26W48	27W48	23CM-20
		277V AC	L7-20	2331	2333	2330	26W49	27W49	23CM-30
		347V AC	L24-20	3721	3723	3720	-	-	-
		480V AC	L8-20	2341	2343	2340	-	-	-
		600V AC	L9-20	2351	2353	2350	-	-	-
30	125V	L5-30	2611	2613	2610	28W47	29W47	26CM-10	
	250V	L6-30	2621	C2623	2620	28W48	29W48	26CM-20	
	277V AC	L7-30	2631	2633	2630	28W49	29W49	-	
Locking 3-P, 3-W Grounding	15	3Ø 250V	L11-15	4880-C	4889	4870	-	-	-
		125/250V	L10-20	2361	2363	2360	-	-	-
		3Ø 250V	L11-20	2371	2373	2370	-	-	-
	20	3Ø 480V	L12-20	2381	2383	2380	-	-	-
		125/250V	L10-30	2661	2663	2660	-	-	-
		3Ø 250V	L11-30	2671	2673	2670	-	-	-
	30	3Ø 480V	L12-30	2681	2683	2680	-	-	-
		3Ø 600V	L13-30	2691	2693	2690	-	-	-
		125/250V	L14-20	2411	2413	2410	26W74	27W74	24CM-10
Locking 3-P, 4-W Grounding	20	3Ø 250V	L15-20	2421	2423	2420	26W75	27W75	24CM-20
		3Ø 480V	L16-20	2431	2433	2430	26W76	27W76	24CM-30
		125/250V	L14-30	2711	2713	2710	28W74	29W74	27CM-10
	3Ø 250V	L15-30	2721	2723	2720	28W75	29W75	27CM-20	
	3Ø 480V	L16-30	2731	2733	2730	28W76	29W76	-	
	3Ø 600V	L17-30	2741	2743	2740	28W77	29W77	-	
Locking 4-P, 4-W Grounding	20	3ØY 120/208V	L18-20	2441	2443	2440	-	-	-
		3ØY 277/480V	L19-20	2451	2453	2450	-	-	-
		3ØY 347/600V	L20-20	2461	2463	2460	-	-	-
	30	3ØY 120/208V	L18-30	2751	2753	2750	-	-	-
		3ØY 277/480V	L19-30	2761	2763	2760	-	-	-
		3ØY 347/600V	L20-30	2771	2773	2770	-	-	-
Locking 4-P, 5-W Grounding	20	3ØY 120/208V	L21-20	2511	2513	2510	26W81	27W81	-
		3ØY 277/480V	L22-20	2521	2523	2520	26W82	27W82	-
		3ØY 347/600V	L23-20	2531	2533	2530	26W83	27W83	-
	30	3ØY 120/208V	L21-30	2811	2813	2810	28W81	29W81	-
		3ØY 277/480V	L22-30	2821	2823	2820	28W82	29W82	-
		3ØY 347/600V	L23-30	2831	2833	2830	28W83	29W83	-
Straight Blade 2-P, 3-W Grounding	15	125V	5-15	5266-C 5266-PLC**	5269-C 5269-PLC**	5262*	14W47	15W47	5261-CR
		250V	6-15	5666-C 5666-PLC**	5669-C 5669-PLC**	5662*	14W49	15W49	5661-CR
		277V AC	7-15	-	-	-	14W34	15W34	-
	20	125V	5-20	5366-C 5366-PLC**	5369-C 5369-PLC**	5362*	14W33	15W33	5361-CR
		250V	6-20	5466-C	5469-C	5462*	14W48	15W48	5461-CR

**PLC Power Indication Feature

*Duplex Receptacles available in a choice of colors: Brown, Ivory, White, Gray, Red, Black, or Almond.

For NEMA straight blade or locking flanged inlet & outlet details, see www.leviton.com/industrial or IPD 2.07 catalogue.

Leviton Manufacturing Co, Inc.

59-25 Little Neck Pkwy, Little Neck, NY 11362-2591 Tech Line: 1-800-824-3005 Fax: 1-800-832-9538 www.leviton.com

© 2008 Leviton Manufacturing Co, Inc. All rights reserved. Subject to change without notice.



Choose From a Full Line of Commercial and Industrial Devices

LOCKING DEVICES & WIRE MANAGEMENT

1. Locking Plugs & Connectors – Black & White™
 - 15, 20 & 30Amp
 - 125V thru 600V
 - 2-P 3-W thru 4-P 5-W
 - 40 NEMA Configurations
 - 19 Non-NEMA Configurations
 - UL/Fed.Spec./CSA/NOM
 - Solid Brass Blades (Locking Plugs)
 - One-Piece Brass Contacts (Locking Connectors)
 - Nylon Construction
2. V-0-MAX™ Locking Receptacles
 - 15, 20 & 30Amp
 - 125V thru 600V
 - 2-P 3-W thru 4-P 5-W
 - 40 NEMA Configurations
 - 19 Non-NEMA Configurations
 - UL/Fed.Spec./CSA/NOM
 - UL V-0 Flammability Rating
 - Color-Coding Indicates Voltage Ratings
3. Flanged Inlets/Outlets
 - 15, 20 & 30Amp
 - 125V thru 600V
 - 2-P 3-W thru 4-P 5-W
 - 40 NEMA Configurations
 - 14 Non-NEMA Configurations
 - UL/Fed.Spec./CSA/NOM
 - Positive Crimp Lock Wire Clamps
 - Nylon Construction
4. miniLOCK™ Midget Devices
 - 15Amp
 - 125V thru 250V
 - 2-P 3-W thru 3-P 3-W
 - 3 NEMA Configurations
 - UL/Fed.Spec./CSA/NOM
 - Nylon Construction
 - Plugs, Connectors, Receptacles & Inlets
5. Wire Mesh Grips
 - Pulling, Support, & Strain Relief
 - Single & Double Eyes
 - Flexible, Offset & Rotating Eyes
 - Closed, Split Lace, or Split Rod Mesh
 - Liquid Tight, Wide Range, Deluxe Grips



WATERTIGHT DEVICES

1. Wetguard® Watertight Devices
 - 15, 20 and 30Amp
 - 125V thru 600V
 - 2-P 3-W thru 4-P 5-W
 - 22 NEMA Configurations
 - 4 Non-NEMA Configurations
 - UL/Fed. Spec./CSA/NOM
 - EPTR Construction
 - All Configs Available in High-Visibility Yellow
 - Selected Configurations Available in Black
2. Wetguard Watertight Accessories
 - Watertight Flip Lids with Lockout/Tagout
 - High Visibility Yellow & Black
 - SS Hinge & Screws
 - Flexible, Watertight Plug Caps
 - Reinforced Thermoplastic FD Boxes: 1/2", 3/4", & 1" Knockouts
3. IEC 309 Pin & Sleeve
 - 20 to 100Amp, IP67 Watertight
 - Plugs & Connectors
 - Receptacles & Inlets
 - 20 to 100Amp Switches
 - Mechanical Interlock
 - Non-Fused & Fused
 - Valox® PBT Back Boxes
 - Replacement Components
 - UL/CSA



SINGLE POLE / SINGLE PIN DEVICES

1. 15 Series – Taper Nose
 - Up to 125Amp, 600V
 - Insulator – Shatterproof and Crack Proof
 - Slit and Cam Male Contact Design – Compensates for Wear
 - Color-Coded Insulators for Easy Phase Identification
 - UL Listed (Set Screw Version Only)
2. 16 & 18 Series – Taper Nose and Ball Nose
 - Up to 400Amp, 600V
 - Insulator – Shatterproof and Crack Proof
 - Slit and Cam Male Contact Design – Compensates for Wear
 - Color-Coded Insulators for Easy Phase Identification
 - UL Listed and CSA Certified (Double Set Screw Version Only)



INDUSTRIAL GRADE SWITCHES

1. Heavy Duty AC Control with Toggle Actuator
 - 15, 20 & 30Amp
 - 120/277V AC
 - SP, DP 3-Way, 4-Way
 - UL/Fed. Spec./CSA
 - Single-Piece Integrated Grounding System
 - Back or Side Wired Grounding Terminal
2. Key Lock AC Control with Key Lock Actuator
 - 20Amp
 - 120/277V AC
 - SP, DP 3-Way, 4-Way
 - Key Removable in ON or OFF Positions
 - UL/CSA/NOM
 - Performs to Fed. Spec. Standards
3. Motor Starter Switches - AC Control for Single-Phase or Three-Phase Motor Loads
 - 30, 40 & 60Amp
 - 120V AC thru 600V AC
 - Max HP Rating: 20HP 600V AC
 - Available as Open Switch or with NEMA/Type 1 or 3R Enclosure
 - cUL/NOM
3. Safety Disconnect Switch AC Control For Horsepower Rated Motor Loads
 - 30, 60 & 100Amp
 - Heavy Duty 600V
 - Max HP Rating: 50HP 600V AC
 - Fused and Non-Fused
 - Dust-tight and Watertight
 - IP67, IP65, NEMA 3R, 4X, 12K



ENERGY CONSERVATION & COMMUNICATIONS DEVICES

1. Occupancy Sensor AC Control with Automatic Switching
 - Incandescent, Low Voltage, Motor Loads
 - Fluorescent (Magnetic or Electronic Ballast)
 - 120/277V AC • SP, 3-Way
 - UL/CSA/NOM
 - Decora® Style Wall Switch Design
 - Ceiling Mount & High Bay Available
 - Available with Title 24 Compliance
 - Ultrasonic, PIR, or Multi-Tech
2. Communication Modules 3803 Series
 - Hard Wired • CE Approved
 - 2 Options for Ground Connection
 - For Use on Allen Bradley & 4-20 ma
 - Protects Programmable Logic Devices from Surges in Harsh Electromagnetic or Geographic Areas
3. DuraPort™ Industrial Connectivity
 - IP67 Watertight Seal
 - Outlets, Wallplates, & Patch Cords
 - Compatible with QuickPort jacks including 5e+ & 6+
 - Captive Dust Cap Protects Unused Ports
 - SS Gasketed Watertight Wallplate



STRAIGHT BLADE DEVICES

1. Power Indication Receptacles
 - 15-20Amp Configurations
 - 100,000 Hr. Power Status Indicator
 - Nickel-Plated Brass Strap with Integral Ground Contacts
 - Back & Side Wired Termination
 - Hospital Grade with Permanent "Green Dot" Lens
2. Surge Protection Receptacles
 - 15-20Amp Duplex, Single & 4-in-1 Configurations
 - UL Listed to 1449 and 498 Standards
 - Decora® Style Nylon Face
 - Surge with IG Versions
 - Protection Indicator Light & Audible Damage Alarm
3. SmartLockPRO™ GFCI
 - 15-20Amp Configurations
 - Back & Side Wired
 - LED Status Indicator
 - Meets New UL GFCI Requirements, Effective 2006
 - Prevents Reset If Protective Function Is Compromised
 - Prevents Reset in Case of Line Load Reverse Wiring
4. DIN Rail Mounted Receptacles
 - Surge Protection
 - Standard Industrial Grade
 - Hospital Grade
 - GFCI Receptacle
 - 15A, 120V
 - Straight Blade
 - Duplex Receptacle
5. Python® Industrial/OEM/ Commercial Connections
 - Nylon Single-Piece Body
 - 15-20Amp Straight & Angle Versions
 - Removable Wide Range Cord Inset
 - Enclosed Wiring Module
 - Triple-Combo Screws
6. Black & White™ Power Indication Industrial Connections
 - Green Light Glows When Energized
 - 125V, 250V, & 277V
 - 15, 20, 30Amp Plugs & Connectors
 - Super Tough Nylon Body
 - Triple-Combo Screws
 - Catalog & NEMA Numbers Printed on Cord Clamp



Leviton Manufacturing Co., Inc.
 59-25 Little Neck Parkway, Little Neck, NY 11362-2591
 Telephone: 1-800-323-8920 FAX: 1-800-832-9538
 Tech Line (8:30AM-7:30PM E.S.T. Monday-Friday): 1-800-824-3005

Leviton Manufacturing of Canada, Ltd.
 165 Hymus Boulevard, Pointe Claire, Quebec H9R 1E9
 Telephone: 1-800-469-7890 FAX: 1-800-563-1853

Leviton S. de R.L. de C.V.
 Lago Tana 43, Mexico DF, Mexico CP 11290
 Telephone: (+52) 55-5082-1040 • www.leviton.com.mx

LEVITON

Visit us on the web at:
www.leviton.com/industrial
 email: industrial@leviton.com

Valox® is a registered trademark of General Electric.

Note: Features and specifications subject to change.



Leviton Manufacturing Co., Inc.

59-25 Little Neck Parkway,
Little Neck, NY 11362-2591
Phone: 1-800-323-8920 FAX: 1-800-832-9538
Tech Line (8:30AM-7:30PM E.S.T. Mon-Fri): 1-800-824-3005

Leviton Manufacturing of Canada, Ltd.

165 Hymus Boulevard, Pointe Claire, Quebec H9R 1E9
Phone: 1-800-469-7890 FAX: 1-800-563-1853

Leviton S. de R.L. de C.V.

Lago Tana 43, Mexico DF, Mexico CP 11290
Phone: (+52) 55-5082-1040 • www.leviton.com.mx

Visit us on the web at: www.leviton.com/industrial email: industrial@leviton.com