

**PHILIPS  
LIGHTOLIER**

Downlighting

SlimSurface



**Add style and light  
to any space easily**

Low profile, easy-to-install round and square surface mount downlights will bring a sophisticated look to your ceiling.

# SlimSurface

## surface mount downlighting

SlimSurface is a low profile LED downlight intended for ceiling or wall mount applications. This 5/8" thick luminaire is easy to install on standard J-boxes with a quick snap. Specifiers will appreciate the multiple application opportunities with the latest surface mount LED downlight performance and installation enhancements. Contractors will have a positive experience working with a hassle-free downlight installation.

### The next trend in lighting

SlimSurface LED downlights deliver various lumen packages with great visual comfort by leveraging the latest LED technology and optical enhancements.

This surface mount downlight is designed for installation in most standard J-boxes:

- 3 1/2" round (plastic)
- 4" octagonal (metal)
- 4" square (plastic & metal)\*

SlimSurface LED downlights can also be installed on a wall as a wall light. Available in round and square, slim surface mount downlighting is the next lighting trend.

### Endless possibilities

SlimSurface LED downlights are perfect for:

- Residential applications (kitchens, hallways, living spaces)
- High rise multi-family applications (condos, apartments)
- Hospitality applications (restaurants, hotels)
- Healthcare applications (nursing/retirement homes)

Specific applications for SlimSurface LED downlights include; hallways, bathrooms, basements, entry ways, porches, stairways, work areas, utility closets, corridors, elevators and other small spaces. A wet location listing allows for use in showers and bathrooms (if local code requires).

### Problem solver

SlimSurface LED downlights are the perfect solution where there is no plenum space for a recessed downlight. It also eliminates the need for Air-Seal recessed housings or fire rated boxes, which allows for a reduction in material and installation costs.

- Decrease labor costs
- Wet location
- Low glare
- Downlight appearance

\* Not compatible with 4" round and 5" square versions.



### Features

- Apertures: Round & Square
- Optics: Glare controlling lens for comfortable light distribution
- Finishes: White, Aluminum, Black, & Metallic
- Efficacy: Up to 57-94lm/w
- CRI: 80 & 90 min
- CCT: 2700K, 3000K, 3500K & 4000K
- Lumens: 650 (4" & 5"), 1000lm (6" & 7") & 2200lm (10")
- Wattage: 9.1 to 13.5W
- Dimming/Voltage: ELV / Triac (120V) & 0-10V (120V-277V)
- Lifetime: 50,000 hour (L70) rated
- cULus listed suitable for:
  - Damp and wet locations (wall mount applications)
  - Wet locations (covered ceilings)
- Certifications: ENERGY STAR®
- Warranty: Standard 5-year limited\*

\* Visit [philips.com/warranties](http://philips.com/warranties) for more information on the standard 5-year limited warranty.



# Keep a low profile

A low profile downlight intended for ceiling or wall mount applications. This 5/8" thick luminaire is easy to install on standard J-boxes with a quick snap.



Actual size of the 7" model shown.

## Benefits

- The thinnest available solution with an integral driver
- Solves the problem of limited plenum space
- Easy to install on standard J-boxes with a quick snap
- Provides an affordable alternative to Air-Seal IC recessed housings or Fire-Rated boxes
- Wet location listing allows for use in showers and bathrooms (if local code requires)
- Edge-lit technology (flex strip LEDs) will give even illumination with no dark spots and shadows

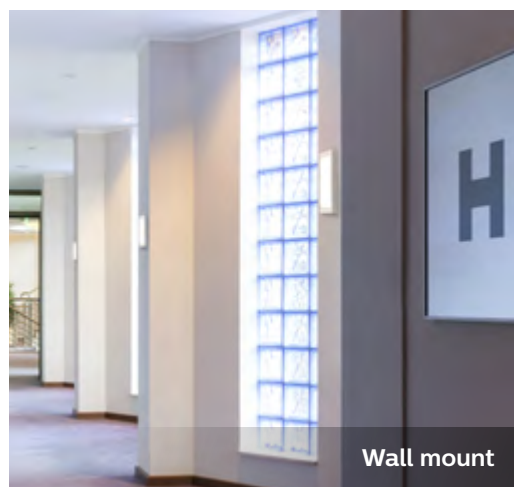
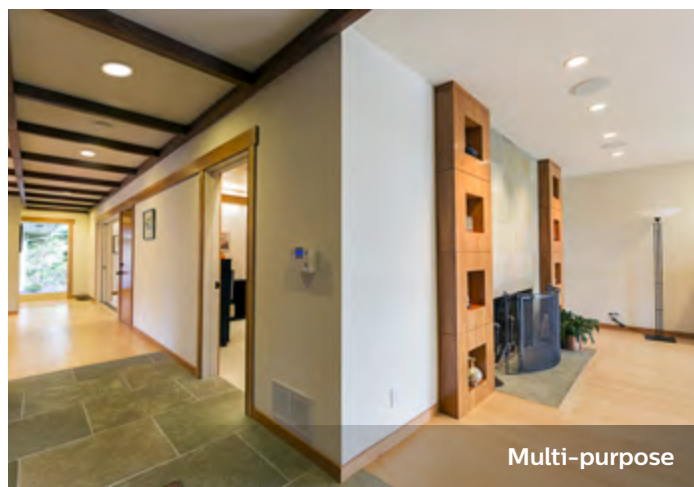
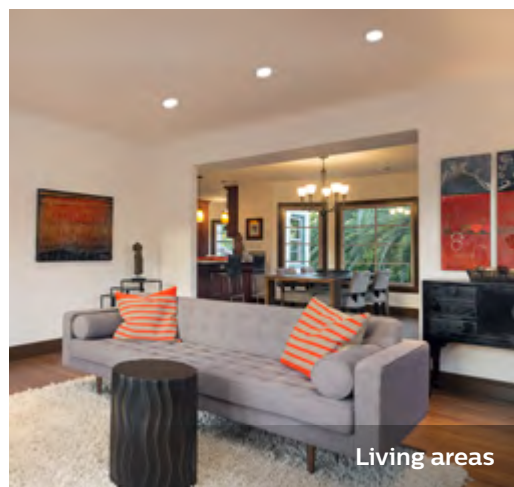


Learn more about installation at:  
<https://www.youtube.com/watch?v=BH7Qsq1TDY>



# Applications

SlimSurface LED downlight is characterized by a completely flat lens with a narrow flange, giving it an architecturally pleasing look. This downlighting solution offers an affordable alternative to Air-Seal IC recessed housings or Fire-Rated boxes, reducing material and installation costs. The 0-10/277V configuration allows SlimSurface LED downlight to expand into commercial spaces and expands its dimming compatibility options.



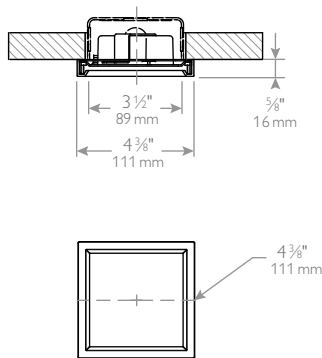
# Square apertures

4" and 6"

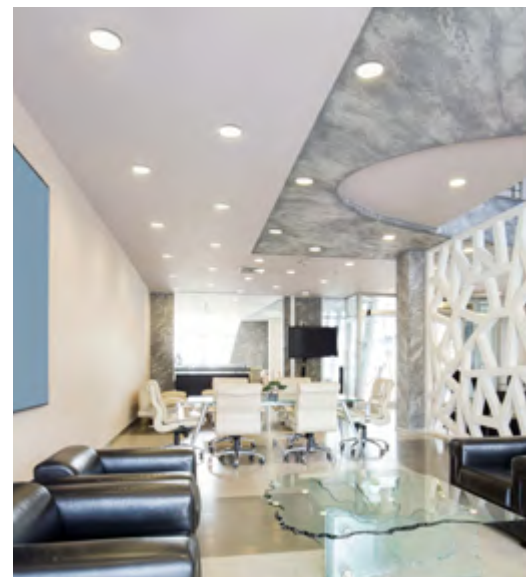
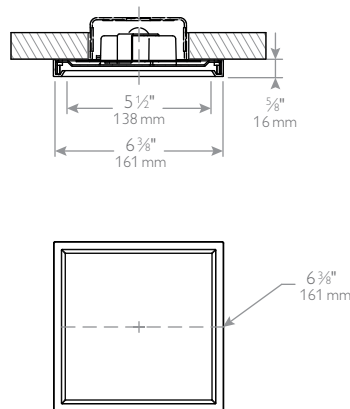
SlimSurface is an easy to install architecturally pleasing low profile downlight. It leverages the latest LED technology, and features a similar performance to typical recessed downlights but in a surface mount design. Whether you choose square or round trims, you can also choose from 5", 7", or 10" apertures for a consistent look within commercial or residential applications. By delivering high lumen output and great visual comfort, this 5/8" surface mount downlight is appealing to both specifiers and contractors.



**SlimSurface 4" square downlight**



**SlimSurface 6" square downlight**



## Ordering guide

example: S4S930K7BK

| Family                           | CRI / CCT                      | Lumens                      | Finish             | Dimming                       |
|----------------------------------|--------------------------------|-----------------------------|--------------------|-------------------------------|
| <b>S4S</b> SlimSurface 4" Square | <b>827K</b> 80 CRI / 2700K CCT | <b>7</b> 650lm (S4S only)   | — White            | — ELV / Triac (120V)          |
| <b>S6S</b> SlimSurface 6" Square | <b>830K</b> 80 CRI / 3000K CCT | <b>10</b> 1000lm (S6S only) | <b>AL</b> Aluminum |                               |
|                                  | <b>835K</b> 80 CRI / 3500K CCT |                             | <b>BK</b> Black    |                               |
|                                  | <b>840K</b> 80 CRI / 4000K CCT |                             | <b>W</b> White     | <b>Z10U</b> 0-10V (120V-277V) |
|                                  | <b>927K</b> 90 CRI / 2700K CCT |                             | <b>AL</b> Aluminum |                               |
|                                  | <b>930K</b> 90 CRI / 3000K CCT |                             | <b>BK</b> Black    |                               |

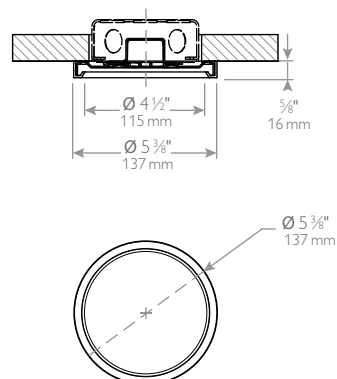
# Round apertures

5", 7" and 10"

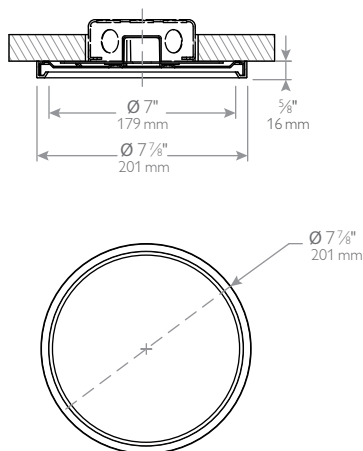
Now available in a 10" aperture with a high end, specification grade, metal trim. The SlimSurface 10" luminaire is also available in the same finishes as the 5" & 7" aperture's to provide a consistent trim style and match any design. This 2,200lm configuration provides a high amount of light to help illuminate larger spaces where smaller surface mount down lights can not perform effectively. SlimSurface is perfect for hallways, entry ways and even the traditional center-of-the-room installations.



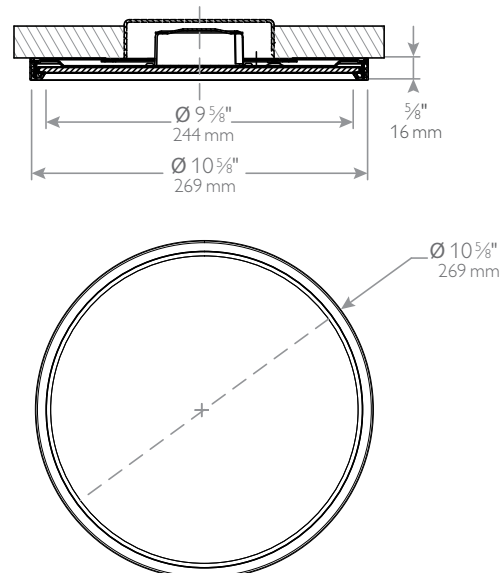
**SlimSurface 5" round downlight**



**SlimSurface 7" round downlight**



**SlimSurface 10" round downlight**



## Ordering guide

example: S5R830K7WH

| Family                            | CRI / CCT                      | Lumens                       | Finish              | Dimming                       |
|-----------------------------------|--------------------------------|------------------------------|---------------------|-------------------------------|
| <b>S5R</b> SlimSurface 5" Round   | <b>827K</b> 80 CRI / 2700K CCT | <b>7</b> 650lm (S5R only)    | — White             | — ELV / Triac (120V)          |
| <b>S7R</b> SlimSurface 7" Round   | <b>830K</b> 80 CRI / 3000K CCT | <b>10</b> 1000lm (S7R only)  | <b>AL</b> Aluminum  |                               |
| <b>S10R</b> SlimSurface 10" Round | <b>835K</b> 80 CRI / 3500K CCT | <b>22</b> 2200lm (S10R only) | <b>BK</b> Black     |                               |
|                                   | <b>840K</b> 80 CRI / 4000K CCT |                              | <b>MT</b> Metallic* |                               |
|                                   | <b>927K</b> 90 CRI / 2700K CCT |                              | <b>W</b> White      | <b>Z10U</b> 0-10V (120V-277V) |
|                                   | <b>930K</b> 90 CRI / 3000K CCT |                              | <b>AL</b> Aluminum  |                               |
|                                   |                                |                              | <b>BK</b> Black     |                               |
|                                   |                                |                              | <b>MT</b> Metallic* |                               |

\* Only available with 10" (S10R) configurations.



© 2018 Philips Lighting Holding B.V. All rights reserved. Philips reserves the right to make changes in specifications and/or to discontinue any product at any time without notice or obligation and will not be liable for any consequences resulting from the use of this publication.

PLI-1413BR 03/18 [www.philips.com/luminaires](http://www.philips.com/luminaires)

Philips Lighting  
North America Corporation  
200 Franklin Square Drive  
Somerset, NJ 08873  
Tel. 855-486-2216

Philips Lighting Canada Ltd.  
281 Hillmount Rd,  
Markham, ON,  
Canada L6C 2S3  
Tel. 800-668-9008