



# LED Direct-Lit Panels

## Standard Series

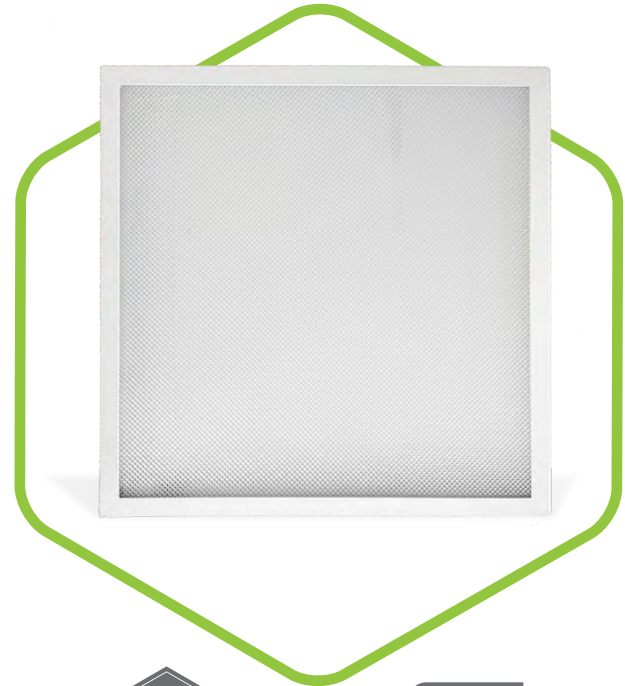
ASD LED Direct-Lit Panels, Standard Series, are modern lamps. Their main advantages are energy efficiency, the absence of hazardous materials, and no maintenance costs.

They are an ideal choice to reduce energy costs in work environments and in public places. They are widely used in offices, stores, schools, hospitals, hotels and airports.

The many features of the ASD LED Direct-Lit Panels, Standard Series, include low energy consumption, long life, and sustainable light with no shadows.

### FEATURES AND BENEFITS:

- ▶ Contemporary design
- ▶ Available in 2x2 and 2x4 sizes
- ▶ Standard 0~10 V dimming
- ▶ High efficiency – 90 lm/Watt
- ▶ Low energy consumption
- ▶ White frame
- ▶ Recessed mount
- ▶ cULus certified
- ▶ DesignLights™ Consortium (DLC) listed
- ▶ L70 rated lifespan > 50,000 hrs.
- ▶ 5-year limited warranty



### LED DIRECT-LIT PANEL:

Model	Type	Watts	Dimming	CCT	Lumens	Dimensions (L x W x H)
ASD-DLP22D4040	2x2	40 W	yes	4000 K	3 761 lm	23.8" x 23.8" x 2.8"
ASD-DLP22D4050	2x2	40 W	yes	5000 K	3 707 lm	23.8" x 23.8" x 2.8"
ASD-DLP24D6040	2x4	60 W	yes	4000 K	5 310 lm	23.8" x 47.8" x 2.8"
ASD-DLP24D6050	2x4	60 W	yes	5000 K	5 492 lm	23.8" x 47.8" x 2.8"

### LED DRIVER:

Model	Watts	Dimming	Input Voltage	Output Voltage	Max Current	Power Factor	Dimensions (L x W x H)
ASD-BLP40D	40 W	0~10 V	100-277 V	30-42 V	1050 mA	≥ 0.9	4.1" x 11" x 1.8"
ASD-BLP60D	60 W	0~10 V	100-277 V	30-42 V	1400 mA	≥ 0.9	4.1" x 11" x 1.8"





# LED Direct-Lit Panels

## Standard Series

### PRODUCT SPECIFICATIONS:

Construction & Materials				
Housing	Standard recessed troffer housing			
Lens	Standard prismatic diffuser			
Lens Type	Prismatic			
Finish Color	White			
Weight (Panel+Driver)	ASD-DLP22D4040	9.2 lb (4.15 kg)	ASD-DLP24D6040	15.4 lb (7 kg)
	ASD-DLP22D4050	9.2 lb (4.15 kg)	ASD-DLP24D6050	15.4 lb (7 kg)
Environmental System				
Work Environment	Indoor use (applicable for dry environments)			
Operating Temperature	14~104°F (-10~40°C)			
Humidity	20% - 85% RH, non condensing			
L70 Life	50,000 Hrs.			
Optical System				
Luminous Flux	ASD-DLP22D4040	3 761 lm	ASD-DLP24D6040	5 310 lm
	ASD-DLP22D4050	3 707 lm	ASD-DLP24D6050	5 492 lm
Luminous Efficacy	90 lm/w			
Color Temperature	4000 K, 5000 K			
CRI	80			
Electrical System				
Input Voltage	100~277VAC 50/60 Hz			
Off State Power	0 W			
Power Consumption	ASD-DLP22D4040	40 W	ASD-DLP24D6040	60 W
	ASD-DLP22D4050	40 W	ASD-DLP24D6050	60 W
Power Factor	≥ 0.9			
THD	< 20%			
Output voltage	30-42 V			
Max current	800 mA		1050 mA	
Control				
Dimming Switch	Standard 0~10 V dimming 5% - 100%			
Linking Lengths/Qty	15 cable feet x 20 panels			

Regulatory & Voluntary Qualifications	
5-year limited warranty	
DesignLights™ Consortium (DLC) listed	
cULus certified	E473854 - panel, E473855 - driver

### Dimming Compatible Controls

MFG	Model Number
Leviton	IP710
Lutron	Nova NFTV 0~10V



# LED Direct-Lit Panels

## Standard Series

### LED DIRECT-LIT PANEL ORDERING INFORMATION:

#### Type: 2x2

Data \ Model	ASD-DLP22D4040	ASD-DLP22D4050
Type	2x2	2x2
Watts	40 W	40 W
CCT	4000 K	5000 K
GTIN 12	859961005063	859961005070
GTIN 14	10859961005060	10859961005077
Product Code	021.0201	021.0202
Pcs in one Carton	2	2
Carton Size	25"x25"x3.2"	25"x25"x3.2"
Carton Weight	18 lbs	18 lbs

#### Type: 2x4

Data \ Model	ASD-DLP24D6040	ASD-DLP24D6050
Type	2x4	2x4
Watts	60 W	60 W
CCT	4000 K	5000 K
GTIN 12	859961005087	859961005094
GTIN 14	10859961005084	10859961005091
Product Code	021.0203	021.0204
Pcs in one Carton	2	2
Carton Size	25"x49"x3.2"	25"x49"x3.2"
Carton Weight	32.5 lbs	32.5 lbs

### LED DRIVER ORDERING INFORMATION:

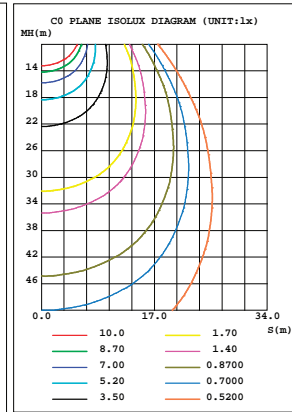
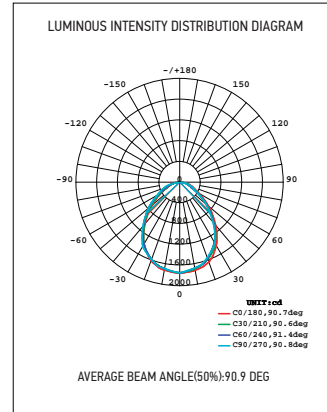
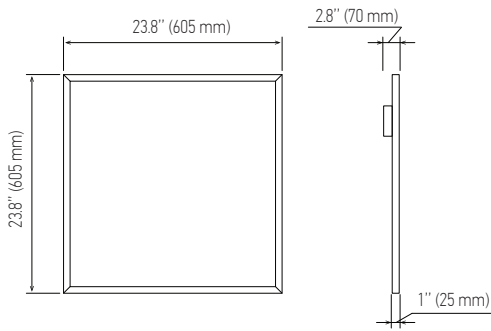
Data \ Model	ASD-BLP40D	ASD-BLP60D
Watts	40 W	60 W
GTIN 12	859961005162	859961005179
GTIN 14	10859961005169	10859961005176
Product Code	027.0101	027.0102
Pcs in one Carton	20	20
Carton Size	23.8"x12.2"x10.2"	23.8"x12.2"x10.2"
Carton Weight	31.9 lbs	31.9 lbs



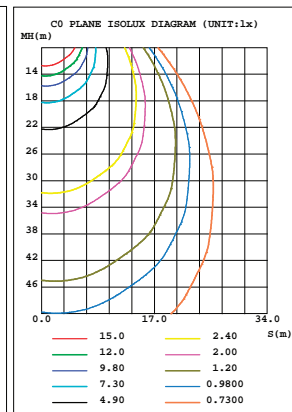
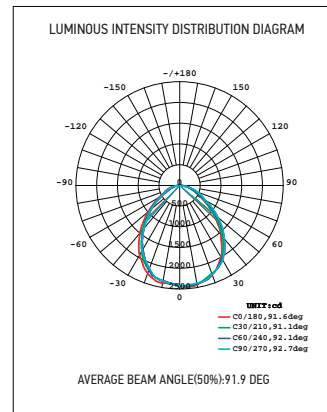
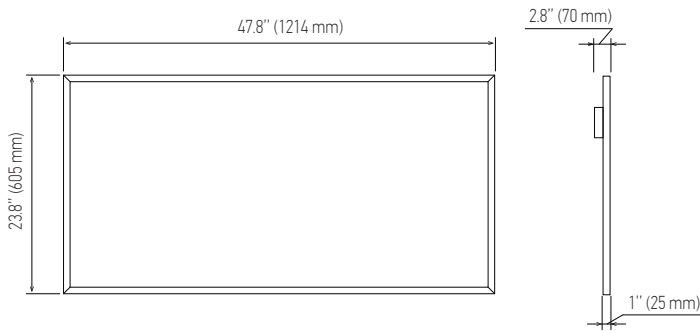
# LED Direct-Lit Panels

## Standard Series

### TYPE 2x2 40W



### TYPE 2x4 60W





# LED Direct-Lit Panels

## Standard Series

### **⚠ WARNING**

**RISK OF PERSONAL INJURY – READ and follow all WARNINGS and installation instructions.**

Keep or give to the owner for future reference.

**Risk of cuts:** Wear gloves to prevent cuts or abrasions when removing from carton, handling, installing, and maintaining this product.

**Risk of electric shock:** This product must be installed in accordance with the applicable installation code by a person familiar with the construction and operation of the product and the hazards involved.

**Risk of Fire:** Minimum 90°C supply conductors. Consult a qualified electrician to ensure correct branch circuit conductor.

ASD® assumes no responsibility for claims arising out of improper or careless installation or handling of this product.

**For recessed installation:** Access above ceiling required. Inherently protected. Vapor barrier must be suitable for 90°C. Type IC.

### **⚠ AVERTISSEMENT**

**RISQUE DE BLESSURES – Lisez et suivez toutes les MISES EN GARDE et les instructions d'installation.**

Tenir ou fournir au propriétaire pour référence future.

**Risque de coupures:** Porter des gants pour éviter les coupures ou des écorchures lors du retrait du carton, de la manutention, l'installation et le maintien de ce produit.

**Risque de choc électrique:** Ce produit doit être installé conformément au code d'installation applicable par une personne familiarisée avec la construction et l'exploitation du produit et les risques impliqués.

**Risque d'incendie:** minimum 90° C Alimentation conducteurs. Consultez un électricien qualifié pour assurer le bon conducteur de circuit de dérivation.

ASD® n'assume aucune responsabilité pour les réclamations découlant d'une installation inadéquate ou négligente ou de la manipulation de ce produit.

**Pour installation encastré:** Accès-dessus du plafond nécessaire. Intrinsèquement protégé. Barrière de vapeur doit être adapté à 90°C. Tapez IC.

### **⚠ ADVERTENCIA**

**RIESGO DE LESIONES PERSONALES – Lea y siga todas las advertencias e instrucciones de instalación.**

Mantener o proporcionar al propietario para referencia futura.

**Riesgo de cortes:** Use guantes para evitar cortes o abrasiones en la eliminación de la caja, manejo, instalación y mantenimiento de este producto.

**Riesgo de choque eléctrico.** Este producto debe ser instalado de acuerdo con el código de Instalación aplicable en que una persona familiarizada con la construcción y operación del producto y los riesgos involucrados.

**Riesgo de Incendio:** Mínimo 90° C los conductores de suministro. Consulte a un electricista calificado para asegurarse el conductor correcto del circuito.

ASD® no asume ninguna responsabilidad por reclamaciones derivadas de una instalación inadecuada o negligente o la manipulación de este producto.

Para instalación empotrada: Acceso por encima del techo requerido. Inherentemente protegida. Barrera de vapor debe ser adecuado para 90°C. Escriba IC.



# LED Direct-Lit Panels

Standard Series

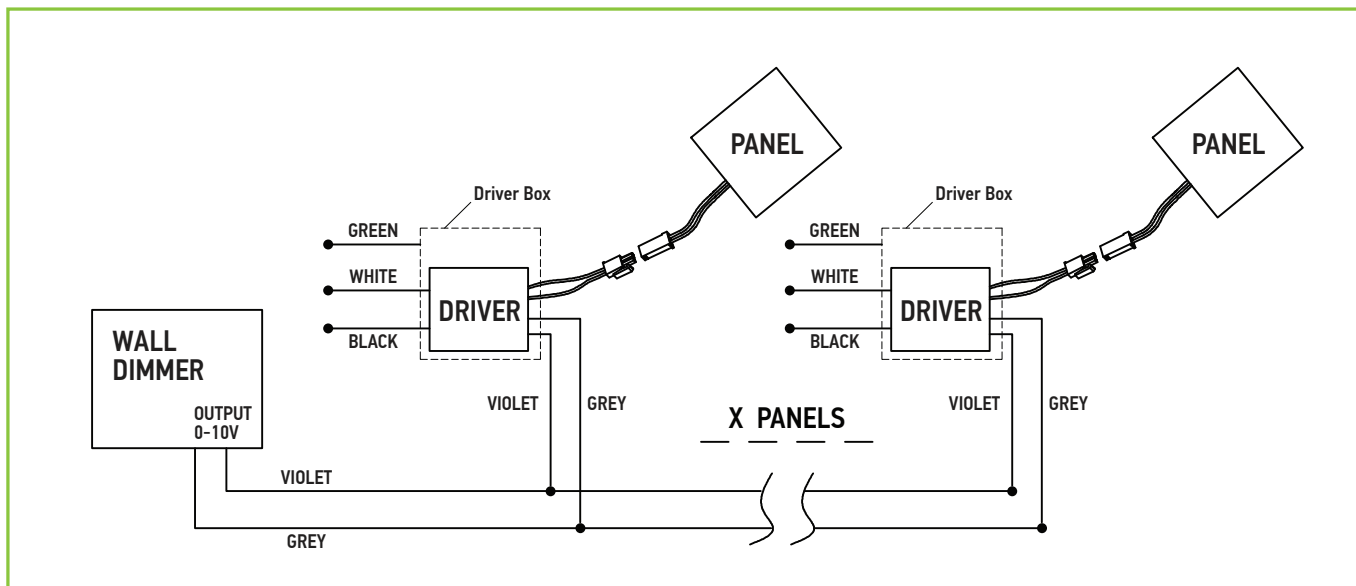
## INSTALLATION GUIDE

### IMPORTANT SAFETY INFORMATION:

**Please read all the instructions below before installation.**

- ▶ Make sure that the supply voltage corresponds to the rated product voltage.
- ▶ The product is designed for indoor use only.
- ▶ The product must be installed by a qualified electrician in accordance with the National Electrical Code and corresponding local codes.
- ▶ If the product is damaged, do not use it.
- ▶ The panel should be used with the LED Driver.

### WIRE DIAGRAM OF DIMMER CONNECTION



### MASTER / SATELLITE DEFINITION:

Each panel can be wired as a Master/Satellite panel. During mounting, one fixture in the room should be wired as a Master, and the others in the room should be wired as Satellites.

Up to 20 panels can be linked to each master panel. Total power of LED Panels shall not exceed the wattage of dimmer.

### BUILDING AUTOMATION COMPATIBLE:

Multiple panels can also be controlled from a single source. The panels can be linked to building automation systems.



# LED Direct-Lit Panels

Standard Series

## INSTALLATION STEPS

### ASSEMBLING PANEL

1. Turn off the main power.

Connect the connector between LED Panel and output of LED Driver.

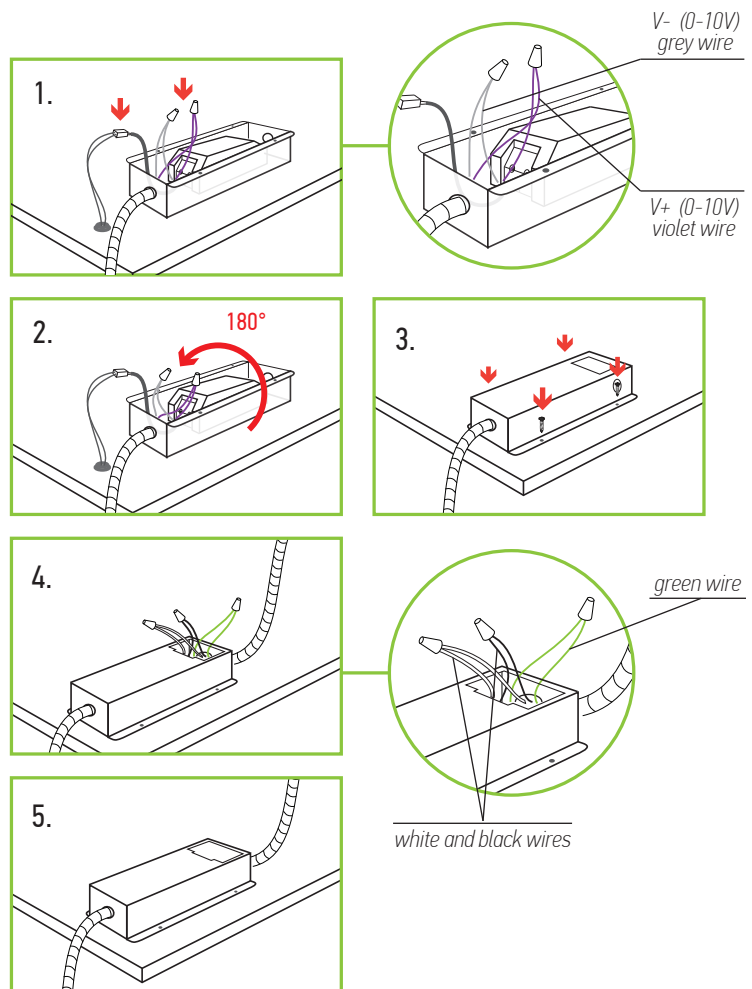
Insert the MC cable into the knock out hole of the junction box and connect the 0-10V signal lines to the junction box through the MC cable.

2. Turn over the driver box.

3. Fix the driver box on the panel with screws.

4. Open the lid of the junction box insert the MC cable into the knock out hole on the other side of the junction box and connect the power cord to the junction box through the MC cable.

5. Tidy up the wires into the driver box, and then fix the lid with screw.





# LED Direct-Lit Panels

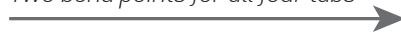
## Standard Series

### RECESSED MOUNT

1. Choose the ceiling panel where you want to install the product, and remove it. For convenience, move adjacent ceiling tiles.

2. Fix the LED Panel into the ceiling: raise up the product above the bar, then place it on T-bars.

*Two bend points for all four tabs*



3. Secure the panel with the grid as shown in the picture.

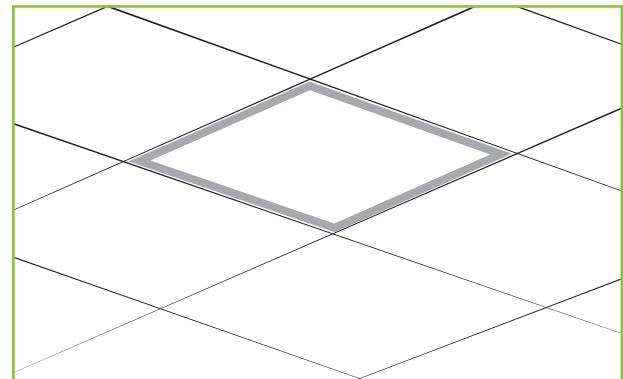
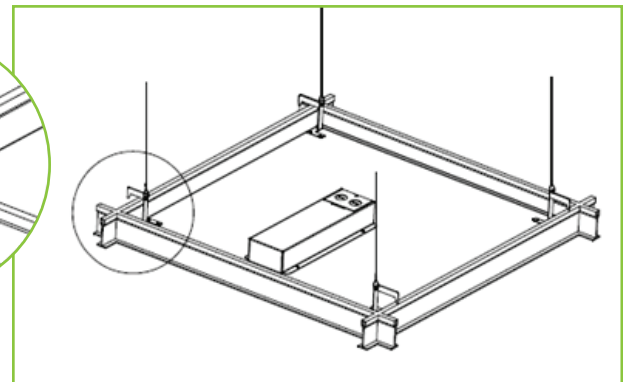
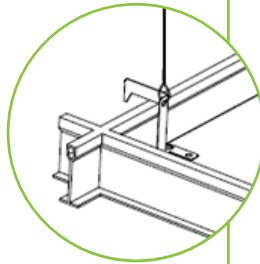
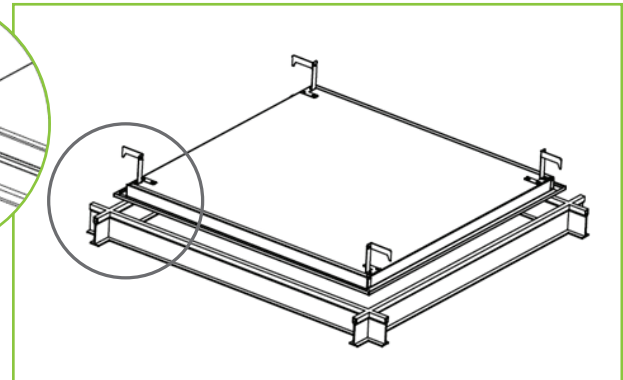
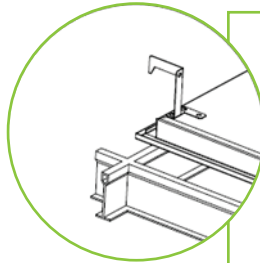
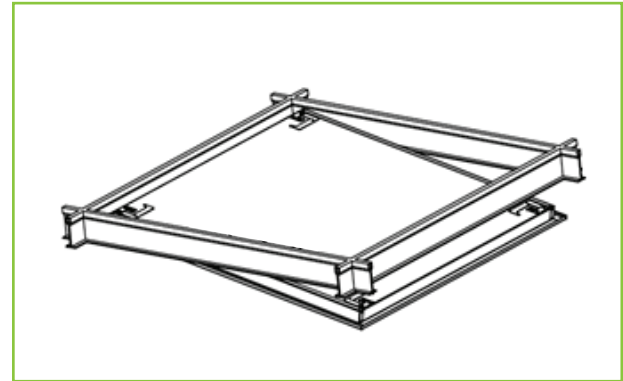
*Ensure the tab is securely attached to the grid*



4. Assemble the panel and connect wires as shown in "Assembling panel".

5. Return the adjacent ceiling tiles to their places.

6. Turn on the main power. Installation is finished.



Compatible with grid size		
15/16"	Slot T	9/16"