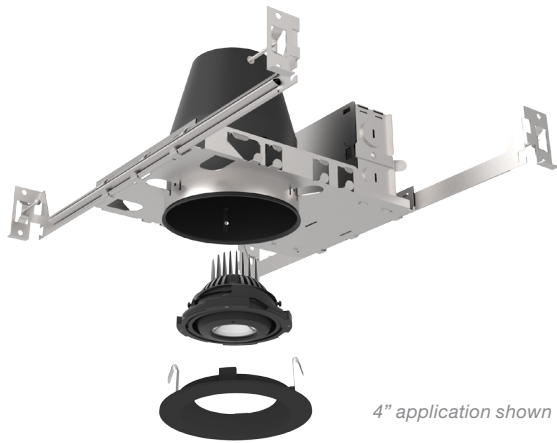


PRODUCT SPECIFICATIONS



- 360° directional aim with up to 40° adjustable tilt
- Maximum installation compatibility
- Twist & Lock feature for easy trim installation
- 750 & 1000 lumen outputs
- 2700K, 3000K, 3500K, 4000K CCT
- Flicker-free TRIAC/ELV, 0-10V or Lutron Hi-lume 1% dimming
- Spot or Flood optic options



Dimmable



50k
hrs
lifetime



5
yr
Warranty



UL listed for
damp location



Twist & lock

Frame-in Kit

HOUSING: 18 ga. die-formed aluminum box fastened to 22 ga. steel mounting frame (4" frame-in kit), 20 ga. die-formed aluminum (5" frame-in kit), 22 ga. die-formed aluminum (6" frame-in kit), 20 ga. die-formed aluminum (6" shallow frame-in kit).

JUNCTION BOX: Galvanized steel. Equipped with (6) 1/2" and (1) 3/4" knockouts with pryout slots to allow straight conduit runs. (4) knockouts for non-metallic sheathed cable installation. Junction box tension spring allows snap-in installation of plate cover for easy access to wiring. Approved for 8 (four-in, four-out) #12 AWG 90 through wire conductors.

MOUNTING: Pre-installed adjustable bar hangers engineered to accommodate lumber, laminated beams and T-bar.

CEILING: 1/2" up to 1".

CUTOUT: 4 3/8" (4" frame-in kit), 5 3/4" (5" frame-in kit), 6 3/8" (6" frame-in kit), 6" shallow frame-in kit).

Light Engine

LED: Tightly binned, high performing white Cree® LED.

LUMEN OUTPUT (POWER): 750 lm (12.0W), 1000 lm (14.7W).

COLOR QUALITY: 90+ CRI, 2-step SDCM.

CCT OPTIONS: 2700K, 3000K, 3500K, 4000K.

OPTICS: Spot (23°), Flood (42°).

ADJUSTMENT: 360° directional aim. Up to 40° tilt.

CONNECTOR: PowerPlug® Luminaire Disconnect Model 182 (TRIAC/ELV), Model 102 (0-10V, Lutron Hi-lume® 1% and/or emergency lighting).

INPUT VOLTAGE: 120/277V.

DIMMING: Down to less than 5% for TRIAC/ELV at 120V or 0-10V at 120/277V. Down to less than 1% for Lutron Hi-lume® 1% at 120/277V.

EMERGENCY LIGHTING: Optional Emergency LED Driver for lighting up to 90 minutes in event of power failure.

LIFETIME: 50,000 hours at 70% lumen maintenance.

PHOTOMETRIC TESTING: Tested in accordance to IESNA LM-79-2008.

LISTINGS: IC rated. cULus Listed. ENERGY STAR® qualified. California Title 24 JA8 compliant. ASTM E283 certified Air Tight. UL Listed for Damp Location. CEC listed.

WARRANTY: 5 year limited warranty.

Trim

CONSTRUCTION: Die-cast aluminum. Twist & Lock mounting allows easy tool-free field installation and tight ceiling fit.

Product Code:		Type:	
Project:		Contact:	Date:



PRODUCT SELECTION GUIDE

FRAME-IN KIT (Product Code Example: **DRDHNIC4**)

PRODUCT CODE	APPLICATION	IC/NON-IC	APERTURE	DRIVER	OPTION
DRDH Housing	N New Construction	IC Insulation Contact	4 4" Aperture	[Blank] Integrated TRIAC/ELV	[Blank] None
			5 5" Aperture	7O 0-10V, 750 lm	EM Emergency Driver <i>Only available for 0-10V and Lutron Hi-Lume 1% driver</i>
			6 6" Aperture	10O 0-10V, 1000 lm	
			6S 6" Shallow	7C Lutron LDE1 ¹ , 750 lm	
				10C Lutron LDE1 ¹ , 1000 lm	
	7W Lutron L3DA3W ² , 750 lm				
	10W Lutron L3DA3W ² , 1000 lm				

LIGHT ENGINE (Product Code Example: **DRD3M07927SPWH**)

PRODUCT CODE	LUMENS (WATTS)	CRI	CCT	OPTIC	FINISH	DRIVER
DRD3M Module	07 750 lm (12.0W)	9 90+ CRI	27 2700K	SP Spot	WH White	[Blank] Integrated TRIAC/ELV
			10 1000 lm (14.7W)	FL Flood	BK Black	
	35 3500K		CC Custom Color	A Alternate Dimming <i>Must be selected if 0-10V, Lutron Hi-Lume 1% or EM driver is selected for frame-in kit driver</i>		
	40 4000K					

TRIM (Product Code Example: **DRD2TR4SWH**)

PRODUCT CODE	SHAPE	APERTURE	STYLE	FINISH
DRD2T Trim	R Round	4 4" Aperture	S Smooth	WH White
	Q Square <i>Only available in 4" aperture, smooth style</i>	5 5" Aperture	B Baffle	BK Black
		6 6" Aperture		SW Silver Reflector, White Flange
				CC Custom Color

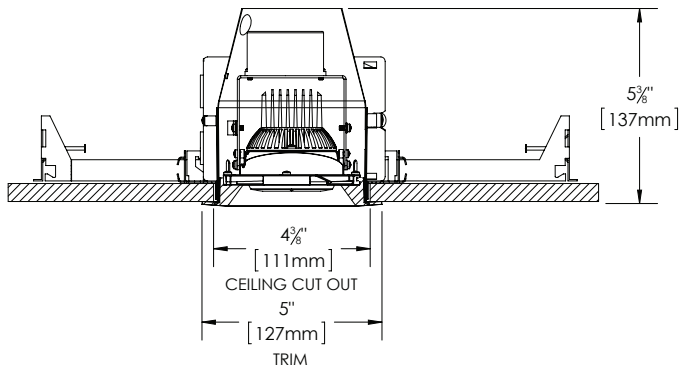
¹ Lutron LDE1 Dimming refers to Lutron Hi-lume 1% EcoSystem LED driver with Soft-on, Fade-to-Black™

² Lutron L3DAE Dimming refers to Lutron Hi-lume 1% 3-wire LED driver

FRAME-IN KIT DIMENSIONS

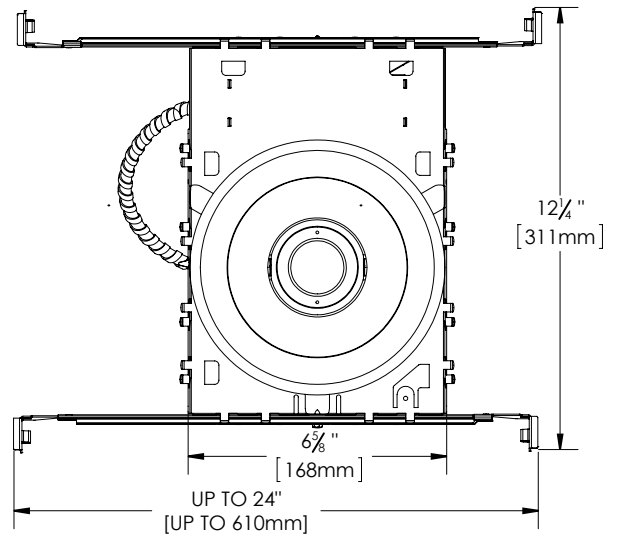
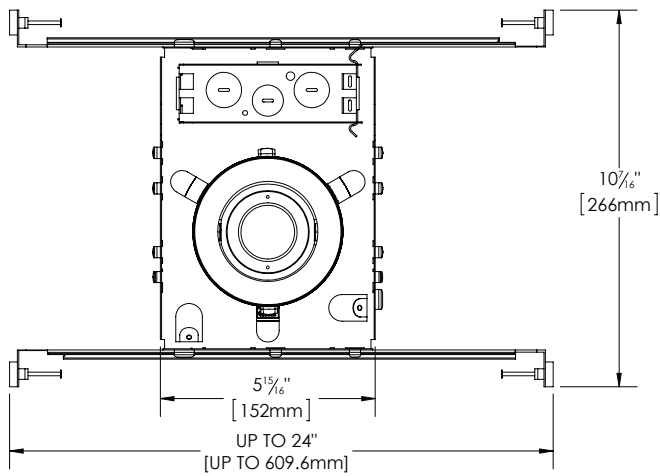
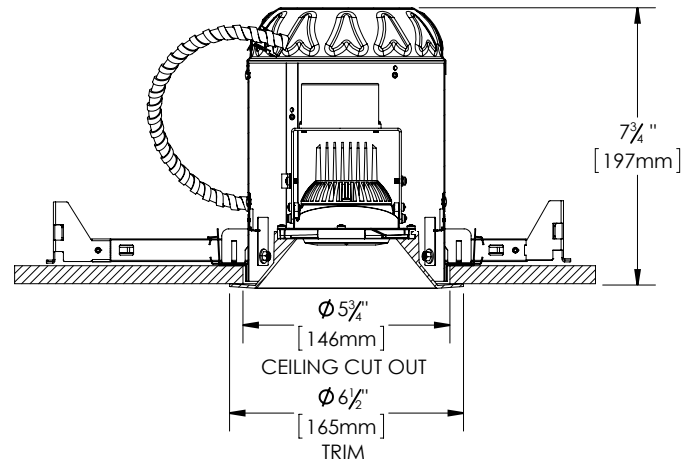
DRDHNIC4

4" New Construction IC Frame-in Kit



DRDHNIC5

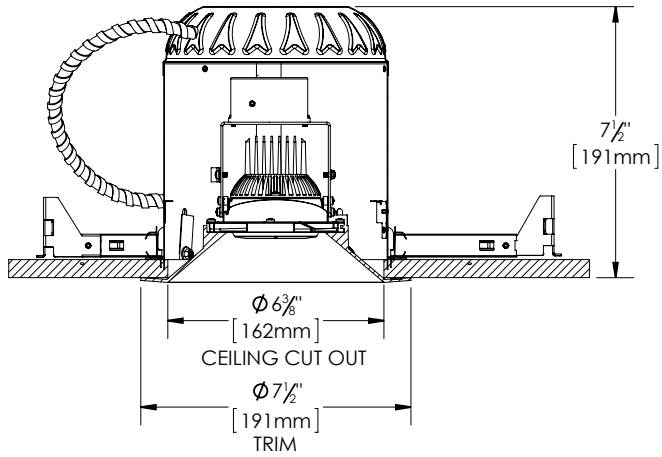
5" New Construction IC Frame-in Kit



FRAME-IN KIT DIMENSIONS

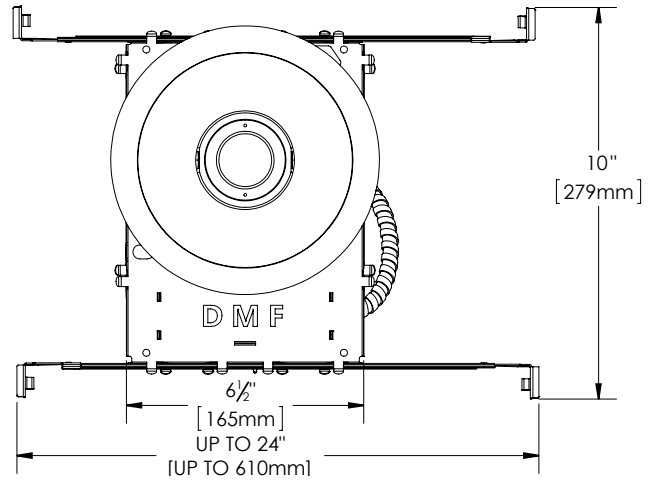
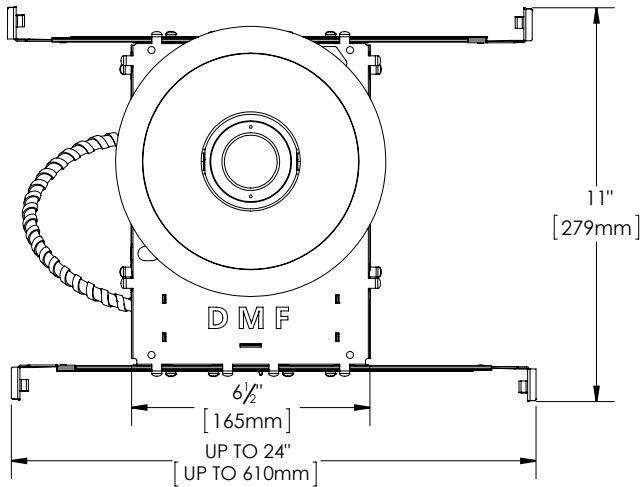
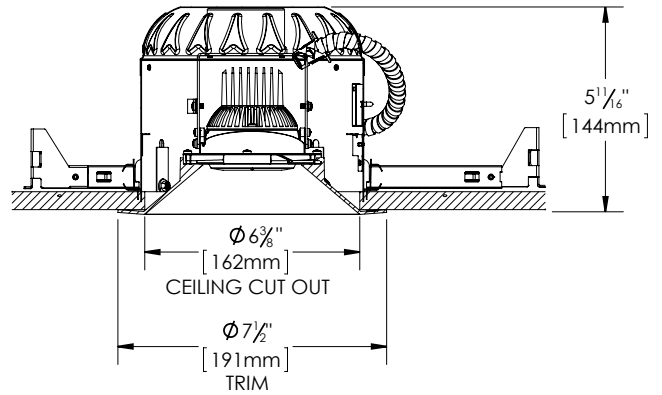
DRDHNIC6

6" New Construction IC Frame-in Kit



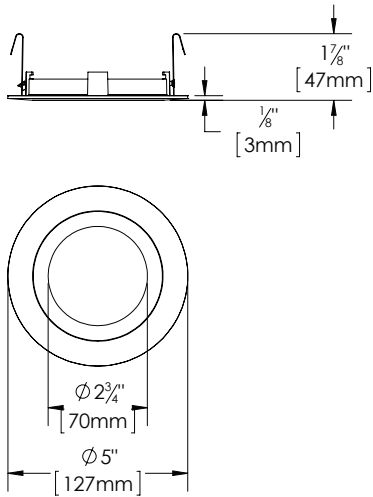
DRDHNIC6S

6" Shallow New Construction IC Frame-in Kit

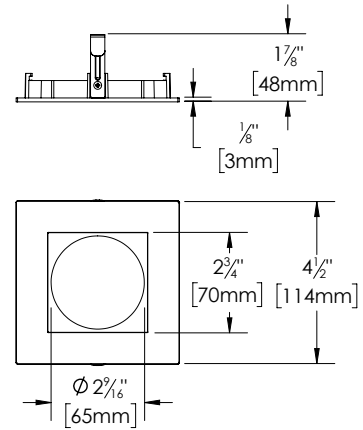


TRIM DIMENSIONS

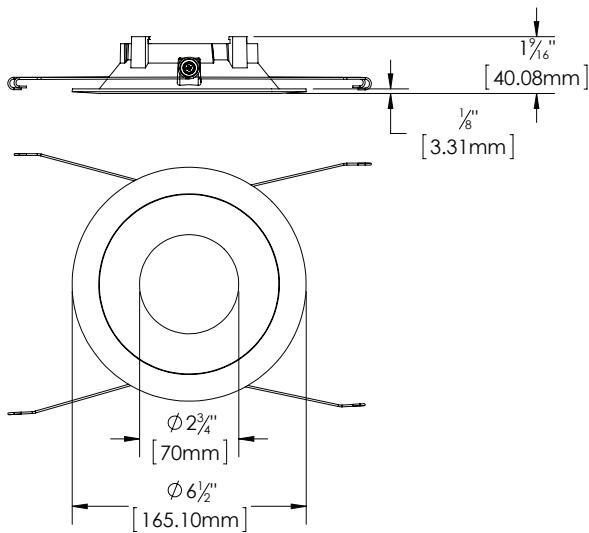
DRD2TR4
4" Round Trim



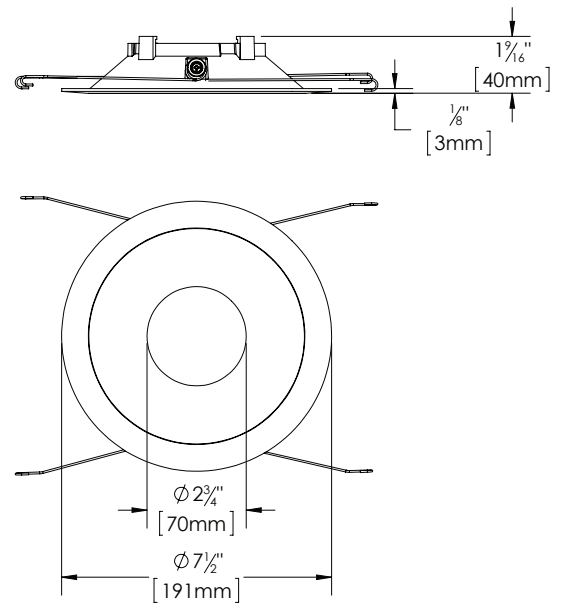
DRD2TQ4
4" Square Trim



DRD2TR5
5" Round Trim

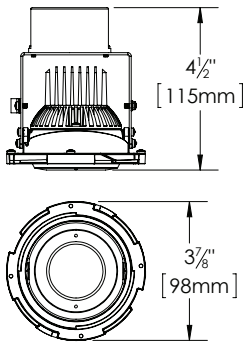


DRD2TR6
6" Round Trim



LIGHT ENGINE OVERVIEW

DRD3M
Adjustable LED Module



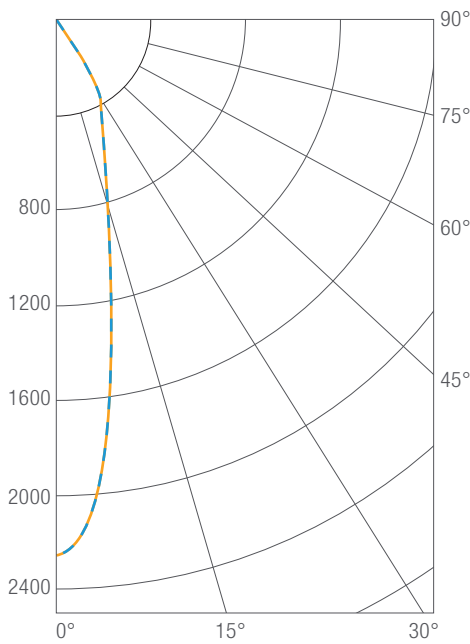
	DRD3M07	DRD3M10
Total Module Lumen Output (lm)	750	1000
Total Rated Power (W)	12.0	14.7
Efficacy (lm/W)	63	68
Color Rendering Index	90+	
CCT Options	2700K, 3000K, 3500K, 4000K	
Optics	Spot, Flood	
Binning	2-step SDCM	
Lifetime (L70)	50,000 hours	
Max Ambient Operating Temperature	40°C	
Input Voltage (V)	120/277V, 50/60Hz	
Input Current at 120V (Max)	0.10A	0.12A
Input Current at 277V (Max)	0.047A	0.055A
Power Factor	>0.9	
Total Harmonic Distortion	<20%	
Dimming	100% - 5%	

PHOTOMETRICS

Light Engine: **DRD3M07930SPWH** (DRD3 Module, 750 lm, 90 CRI, 3000K, Spot, White)

Trim: **DRD2TR6SWH** (DRD2 Trim, 6", Round, Smooth, White)

Center Beam Candle Power: 2255



cd — C0 - C180 — C90 - C270 774 lm

Luminous Intensity

Gamma	C 0°
0.0°	2255
5.0°	2036
10.0°	1377
15.0°	816
20.0°	569
25.0°	466
30.0°	363
35.0°	173
40.0°	42
45.0°	17
50.0°	15
55.0°	11
60.0°	4
65.0°	3
70.0°	1
75.0°	0
80.0°	0
85.0°	0
90.0°	0

Values in candela

Zonal Lumen Summary

Zone	Lumens	Luminaire %
0-30	627	81
0-40	743	96
0-60	771	100
0-90	774	100
0-180	774	100

Illuminance Chart

Distance from LED	Foot Candles	Diameter
3.0'	277	1.3'
6.0'	68	2.5'
9.0'	31	3.8'
12.0'	17	5.0'

Beam Angle: 23°

Angled Luminaire Horizontal Illuminance Chart

Distance from LED	Foot Candles	Spot Size
3'	237	1.5' x 1.5'
6'	59	2.8' x 2.6'
9'	26	4.0' x 3.8'
12'	15	5.3' x 5.1'

Angled Luminaire Vertical Illuminance Chart

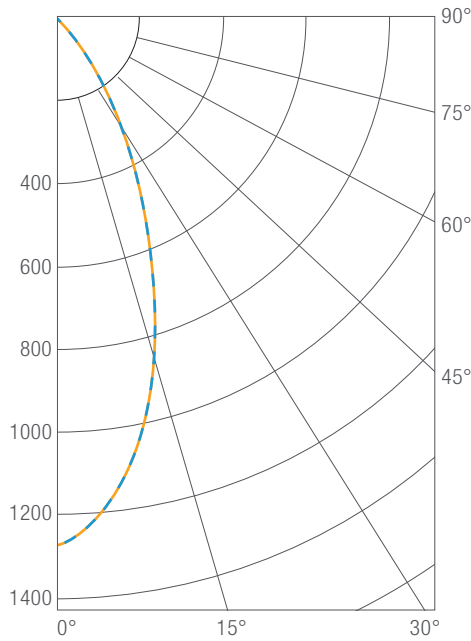
Distance of Beam Center from LED	Foot Candles	Spot Size
3.2'	65	3.2' x 1.9'
4.7'	29	4.8' x 2.1'
6.1'	16	6.4' x 3.8'
8.3'	10	7.9' x 4.3'

PHOTOMETRICS

Light Engine: **DRD3M07930FLWH** (DRD3 Module, 750 lm, 90 CRI, 3000K, Flood, White)

Trim: **DRD2TR6SWH** (DRD2 Trim, 6", Round, Smooth, White)

Center Beam Candle Power: 1273



cd — C0 - C180 — C90 - C270 756 lm

Luminous Intensity

Gamma	C 0°
0.0°	1273
5.0°	1202
10.0°	1040
15.0°	855
20.0°	669
25.0°	483
30.0°	308
35.0°	168
40.0°	87
45.0°	50
50.0°	33
55.0°	22
60.0°	13
65.0°	7
70.0°	2
75.0°	0
80.0°	0
85.0°	0
90.0°	0

Values in candela

Zonal Lumen Summary

Zone	Lumens	Luminaire %
0-30	570	75
0-40	685	91
0-60	748	99
0-90	756	100
0-180	756	100

Illuminance Chart

Distance from LED	Foot Candles	Diameter
3.0'	132	2.3'
6.0'	33	4.6'
9.0'	15	6.8'
12.0'	8	9.1'

Beam Angle: 42°

Angled Luminaire Horizontal Illuminance Chart

Distance from LED	Foot Candles	Spot Size
3'	116	2.4' x 2.4'
6'	29	4.6' x 4.5'
9'	13	7.7' x 7.4'
12'	7	10.0' x 9.5'

Angled Luminaire Vertical Illuminance Chart

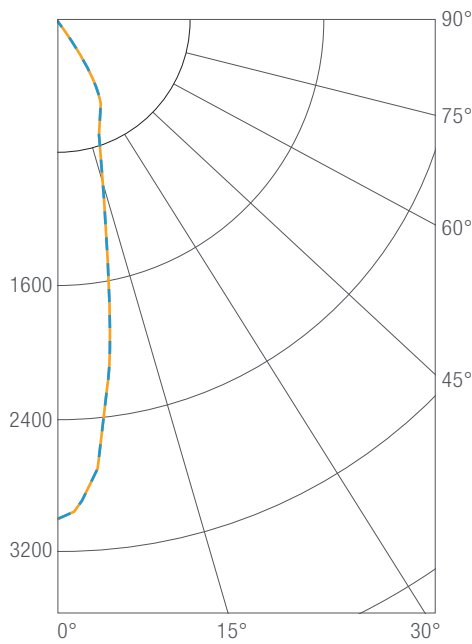
Distance of Beam Center from LED	Foot Candles	Spot Size
2.3'	66	2.4' x 2.3'
3.5'	29	3.4' x 3.1'
4.4'	17	4.9' x 4.3'
5.5'	10	5.8' x 5.2'

PHOTOMETRICS

Light Engine: **DRD3M10930SPWH** (DRD3 Module, 1000 lm, 90 CRI, 3000K, Spot, White)

Trim: **DRD2TR6SWH** (DRD2 Trim, 6", Round, Smooth, White)

Center Beam Candle Power: 3007



cd — C0 - C180 — C90 - C270 1031 lm

Luminous Intensity

Gamma	C 0°
0.0°	3007
5.0°	2714
10.0°	1836
15.0°	1087
20.0°	758
25.0°	621
30.0°	484
35.0°	231
40.0°	56
45.0°	23
50.0°	21
55.0°	15
60.0°	6
65.0°	4
70.0°	1
75.0°	0
80.0°	0
85.0°	0
90.0°	0

Values in candela

Zonal Lumen Summary

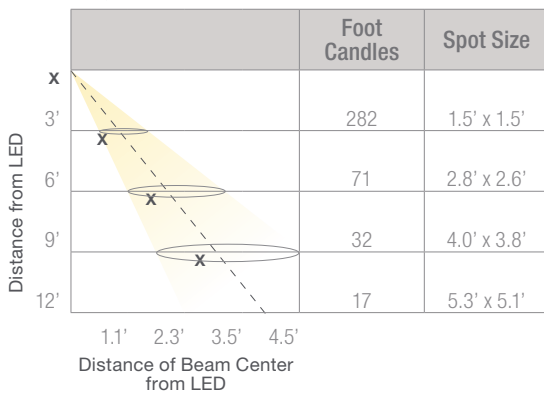
Zone	Lumens	Luminaire %
0-30	836	81
0-40	991	96
0-60	1028	100
0-90	1031	100
0-180	1031	100

Illuminance Chart

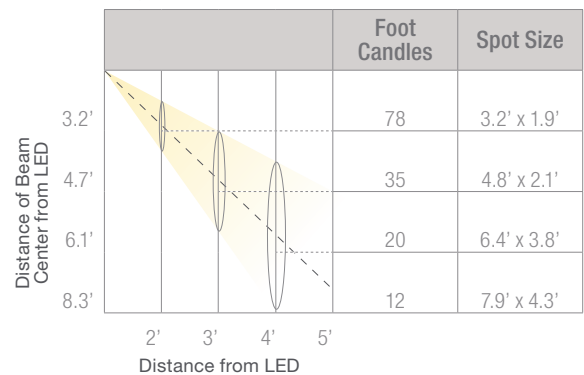
Distance from LED	Foot Candles	Diameter
3.0'	332	1.3'
6.0'	83	2.5'
9.0'	37	3.8'
12.0'	21	5.0'

Beam Angle: 23°

Angled Luminaire Horizontal Illuminance Chart



Angled Luminaire Vertical Illuminance Chart

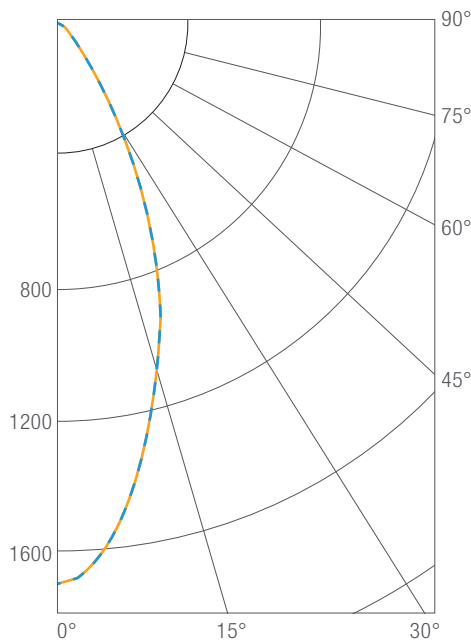


PHOTOMETRICS

Light Engine: **DRD3M10930FLWH** (DRD3 Module, 1000 lm, 90 CRI, 3000K, Flood, White)

Trim: **DRD2TR6SWH** (DRD2 Trim, 6", Round, Smooth, White)

Center Beam Candle Power: 1697



cd — C0 - C180 — C90 - C270 1009 lm

Luminous Intensity

Gamma	C 0°
0.0°	1697
5.0°	1603
10.0°	1386
15.0°	1140
20.0°	891
25.0°	644
30.0°	411
35.0°	224
40.0°	116
45.0°	66
50.0°	43
55.0°	30
60.0°	18
65.0°	9
70.0°	3
75.0°	0
80.0°	0
85.0°	0
90.0°	0

Values in candela

Zonal Lumen Summary

Zone	Lumens	Luminaire %
0-30	761	75
0-40	914	91
0-60	998	99
0-90	1009	100
0-180	1009	100

Illuminance Chart

Distance from LED	Foot Candles	Diameter
3.0'	188	2.3'
6.0'	47	4.6'
9.0'	21	6.8'
12.0'	12	9.1'

Beam Angle: 42°

Angled Luminaire Horizontal Illuminance Chart

Distance from LED	Foot Candles	Spot Size
3'	139	2.4' x 2.4'
6'	35	4.6' x 4.5'
9'	16	7.7' x 7.4'
12'	7	10.0' x 9.5'

Angled Luminaire Vertical Illuminance Chart

Distance of Beam Center from LED	Foot Candles	Spot Size
2.3'	79	2.4' x 2.3'
3.5'	35	3.4' x 3.1'
4.4'	20	4.9' x 4.3'
5.5'	13	5.8' x 5.2'



DIMMER COMPATIBILITY

Light Engine: **DRD3M07** (DRD3 Module, 750 lm)

Recommended Phase-control Dimmers (Dims down to 5% nominal measured light output)

Brand	Series	Model Number	Max Load
Cooper	Decorator	DLC03P, DAL06P	23
Lutron	Diva CL	DVCL-253P	19
	Grafik Sys/Homeworks	LP-RPM-4U	30
	Maestro CL	MAEL-153M	12
	Maestro ELV	MAELV-600	12
	Maestro Wireless	MRF2-6ND	11
	Radio RA	RRD-6NA	12
	Skylark Contour CL	CTCL-153P	11

Compatible Phase-control Dimmers¹ (Dims down to 20% nominal measured light output)

Brand	Series	Model Number	Max Load
Leviton	IllumaTech	IPE04	25
	Sure Slide	6615	24
	Sure Slide	6672	12
	Vizia	VPE04	32
	Vizia	VPE06	12
	Lutron	Maestro	MA-600
Maestro CL		MSCL-OP153M	12
Skylark		S-1000	19
Skylark ELV		SELV-300	25
Legrand	Adorne	ADPD703TU	37
	Harmony	H703PTU	35
	Harmony	HCL453P	34
Lightolier	Sunrise	ZP260QEW	20
Phillips	Sunrise	SR400RPC120	26

¹ Dimmer compatibility reflects performance compatibility only. Please reference your local codes for application.



DIMMER COMPATIBILITY

Light Engine: **DRD3M10** (DRD3 Module, 1000 lm)

Recommended Phase-control Dimmers (Dims down to 5% nominal measured light output)

Brand	Series	Model Number	Max Load
Cooper	Decorator	DAL06P	18
	Savant	OS106D1	9
Lutron	Diva	DV-600	9
	Grafik Sys/Homeworks	LP-RPM-4U	24
	Maestro	MA-600	9
	Maestro CL	MACL-153M	10
	Maestro Wireless	MRF2-6ND	10
	Radio RA	RRD-6NA	10
	Skylark Contour CL	CTCL-153P	11

Compatible Phase-control Dimmers¹ (Dims down to 20% nominal measured light output)

Brand	Series	Model Number	Max Load
Leviton	IllumaTech	IPE04	19
	Sure Slide	6615	18
	Sure Slide	6672	9
	Vizia	VPE04	25
	Vizia	VPE06	9
Lutron	Maestro ELV	MAELV-600	10
	Maestro CL	MSCL-OP153M	10
	Skylark	S-1000	16
	Skylark Contour	CT-103P	16
	Skylark ELV	SELV-300	20
Legrand	Adorne	ADPD703TU	30
	Harmony	H703PTU	27
	Harmony	HCL453P	28
Lightolier	Sunrise	ZP260QEW	16
Phillips	Sunrise	SR400RPC120	20

¹ Dimmer compatibility reflects performance compatibility only. Please reference your local codes for application.