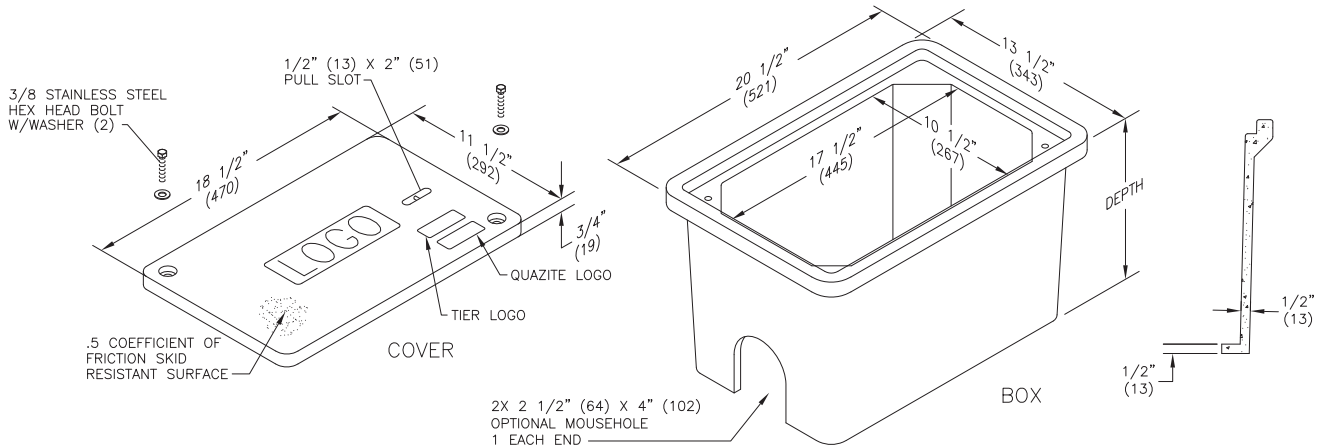


# Dimensions / Data

## 11" x 18" PC Style Polymer Concrete (Stackable) Assembly

**Hex Head Bolts are Standard**



### Covers

|    | DESCRIPTION         | TIER | DESIGN / TEST LOAD # | WEIGHT # | PALLET QTY | PART NO.     |
|----|---------------------|------|----------------------|----------|------------|--------------|
| UL | W/ 2 Bolts          | 8    | 8,000 / 12,000       | 13       | 40         | PC1118CA00** |
| UL | Gasketed W/ 4 Bolts | 8    | 8,000 / 12,000       | 13       | 40         | PC1118CG00** |
| UL | No Bolts            | 8    | 8,000 / 12,000       | 13       | 40         | PC1118WA00** |

Replace \*\* with a logo code found on page 18.

NOTE: Gasketed covers and bolt grommets must be used with a gasketed box. Gaskets reduce the inflow of fluids but do not make the enclosure water tight.

### Boxes

|    | DESCRIPTION      | DEPTH   | TIER | DESIGN / TEST LOAD # | WEIGHT # | PALLET QTY | PART NO.   |
|----|------------------|---------|------|----------------------|----------|------------|------------|
| UL | Std. Open Bottom | 12"     | 15   | 15,000 / 22,500      | 37       | 24         | PC1118BA12 |
| UL |                  | 18"     |      | 15,000 / 22,500      | 53       | 30         | PC1118BA18 |
| UL | Solid Bottom     | 12 1/2" | 15   | 15,000 / 22,500      | 45       | 24         | PC1118DA12 |
| UL |                  | 18 1/2" |      | 15,000 / 22,500      | 60       | 30         | PC1118DA18 |
| UL | Footed Box       | 12 1/2" | 15   | 15,000 / 22,500      | 37       | 24         | PC1118JA12 |
| UL |                  | 18 1/2" |      | 15,000 / 22,500      | 56       | 30         | PC1118JA18 |

To order boxes with 2 standard mouseholes, replace the letter "A" with the letter "B".

To order gasketed boxes, replace the letter "A" with the letter "G".

NOTE: Gasketed covers and bolt grommets must be used with a gasketed box. Gaskets reduce the inflow of fluids but do not make the enclosure water tight.