



SINCE 1945
KEYSTONE
LIGHT MADE EASY

HID LED SOLUTIONS

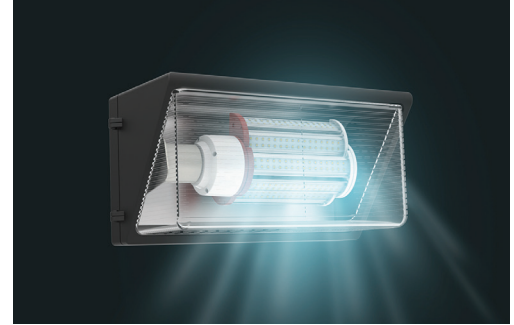
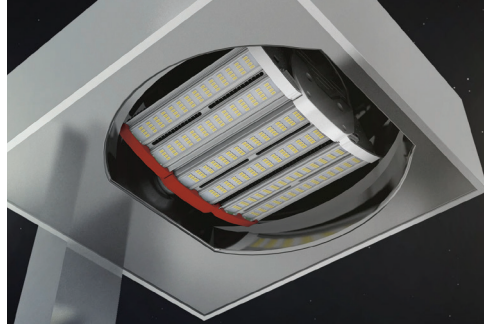


MAY 2018

DirectDrive Xpander 180° Horizontal Lamps



XPANDER



BUILT-IN SURGE PROTECTION



BYPASS THE BALLAST



RoHS Compliant

5 YEAR WARRANTY

50,000 HOUR LIFETIME

PRODUCT FEATURES

- Replacement for conventional metal halide lamps in canopy, wall pack, and shoebox fixtures
- Optimized for horizontal applications with directional light output
- Environmentally friendly: no mercury used
- Instant startup
- Operating temperature: -40°C/-40°F to 45°C/113°F in enclosed fixture
- Integral driver, eliminates the need for external driver or ballast; includes 4kV surge protection
- Integrated heat sink quickly dissipates heat and guides water intrusion out of the lamp

EC&M
Product of the Year
2018 Category Winner

Catalog Number	Rated Lamp Wattage	Metal Halide Equivalent Wattage	Input Voltage	Base Type	Lumens	CRI	IP Rating	Efficacy	Meets DLC
KT-LED27HID-H-EX39-8xx-D	27W	100/150W	120-277V	EX39 Rotatable	4,100	85	IP64	152 lm/W	Yes
KT-LED45HID-H-EX39-8xx-D	45W	175W	120-277V	EX39 Rotatable	6,400	85	IP64	142 lm/W	Yes
KT-LED63HID-H-EX39-8xx-D	63W	250W	120-277V	EX39 Rotatable	9,200	85	IP64	146 lm/W	Yes
KT-LED80HID-H-EX39-8xx-D*	80W	250/320W	120-277V	EX39 Rotatable	10,000	85	IP64	125 lm/W	Yes
KT-LED110HID-H-EX39-8xx-D*	110W	400W	120-277V	EX39 Rotatable	14,000	85	IP64	127 lm/W	Yes

*not for use in wall pack fixtures

*8xx denotes several color temperatures available. 80W and 110W lamps are not available in 3000K.

830 800 Series, 3000K **840** 800 Series, 4000K **850** 800 Series, 5000K



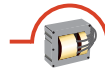
Typical Applications



DirectDrive 360° Vertical Lamps



BUILT-IN SURGE PROTECTION



BYPASS THE BALLAST



RoHS Compliant

5 YEAR WARRANTY

50,000 HOUR LIFETIME

Catalog Number	Rated Lamp Wattage	Metal Halide Equivalent Wattage	Input Voltage	Base Type	Lumens	CRI	IP Rating	Efficacy
KT-LED12HID-E26-8xx-D	12W	50W	120-277V	Medium E26	1,740	>80	IP64	145 lm/W
KT-LED18HID-E26-8xx-D	18W	70W	120-277V	Medium E26	2,610	>80	IP64	145 lm/W
KT-LED27HID-E26-8xx-D /G2	27W	100W	120-277V	Medium E26	3,915	>80	IP64	145 lm/W
KT-LED27HID-EX39-8xx-D /G2	27W	100W	120-277V	Mogul EX39	3,915	>80	IP64	145 lm/W
KT-LED36HID-E26-8xx-D /G2	36W	150W	120-277V	Medium E26	5,400	>80	IP64	150 lm/W
KT-LED36HID-EX39-8xx-D /G2	36W	150W	120-277V	Mogul EX39	5,400	>80	IP64	150 lm/W
KT-LED45HID-E26-8xx-D /G2	45W	175W	120-277V	Medium E26	6,750	>80	IP64	150 lm/W
KT-LED45HID-EX39-8xx-D /G2	45W	175W	120-277V	Mogul EX39	6,750	>80	IP64	150 lm/W
KT-LED54HID-EX39-8xx-D /G2	54W	200-250W	120-277V	Mogul EX39	8,100	>80	IP64	150 lm/W
KT-LED63HID-EX39-8xx-D	63W	250W	120-277V	Mogul EX39	9,450	>80	IP64	150 lm/W
KT-LED80HID-EX39-8xx-D	80W	320W	120-277V	Mogul EX39	11,300	>85	IP64	141 lm/W
KT-LED100HID-EX39-8xx-D	100W	400W	120-277V	Mogul EX39	14,100	>85	IP64	141 lm/W

*8xx denotes several color temperatures available. 80W and 100W lamps are not available in 3000K.

830	800 Series, 3000K	840	800 Series, 4000K	850	800 Series, 5000K
------------	-------------------	------------	-------------------	------------	-------------------



With SmartCool technology, a thermal sensor in the lamp activates during extreme high temperature conditions. Power to the lamp is reduced by up to 20% to cool the lamp and maintain lamp life. Once the sensor reaches an acceptable temperature, the lamp gradually returns to full light output. Included in 54W, 63W, 80W, 100W, 110W and 115W DirectDrive HID LED lamps.

Typical Applications

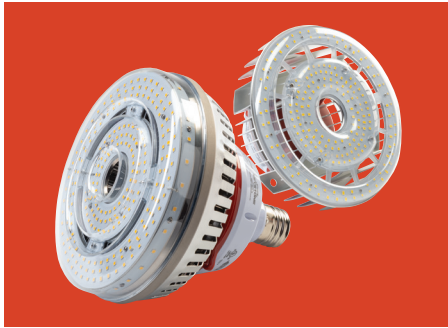


HIGH BAY

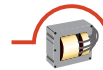
BOLLARD

POST TOP

High Bay Replacement Lamps



BUILT-IN SURGE PROTECTION



BYPASS THE BALLAST



RoHS Compliant

5 YEAR WARRANTY



50,000 HOUR LIFETIME

Catalog Number	Rated Lamp Wattage	Metal Halide Equivalent Wattage	Input Voltage	Base Type	Lumens	CRI	IP Rating	Efficacy	Meets DLC
KT-LED80HID-V-E26-8xx-D	80W	250W	120-277V	E26 Medium	9,600	>80	IP40	120 lm/W	No
KT-LED80HID-V-EX39-8xx-D	80W	250W	120-277V	EX39 Mogul	9,600	>80	IP40	120 lm/W	No
KT-LED115HID-V-EX39-8xx-D	115W	400W	120-277V	EX39 Mogul	15,700	>80	IP20	137 lm/W	Yes

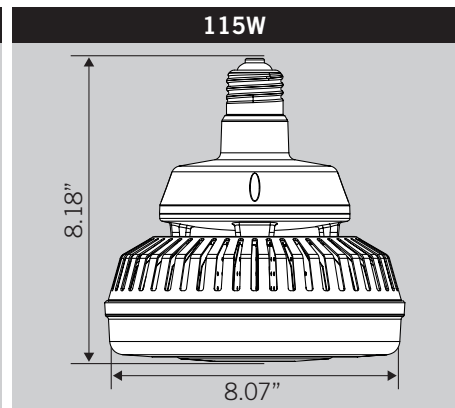
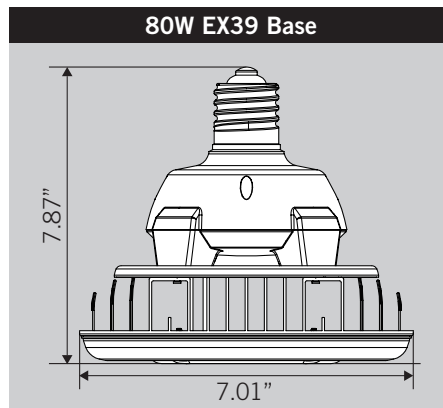
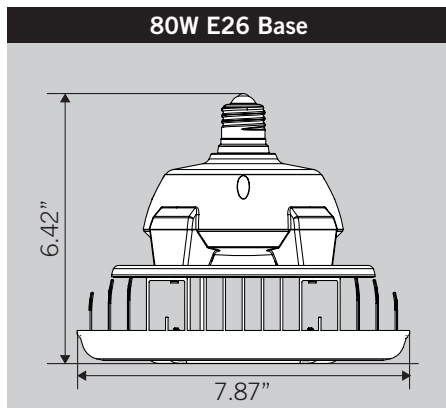
*8xx denotes several color temperatures available. 115W lamp is not available in 3000K.

830	800 Series, 3000K	840	800 Series, 4000K	850	800 Series, 5000K
------------	-------------------	------------	-------------------	------------	-------------------

SMARTCOOL

With SmartCool technology, a thermal sensor in the lamp activates during extreme high temperature conditions. Power to the lamp is reduced by up to 20% to cool the lamp and maintain lamp life. Once the sensor reaches an acceptable temperature, the lamp gradually returns to full light output. Included in 54W, 63W, 80W, 100W, 110W and 115W DirectDrive HID LED lamps.

PRODUCT DIMENSIONS



High Bay Replacement Lamps



BUILT-IN SURGE PROTECTION



MAGNETIC HID BALLAST COMPATIBLE



RoHS Compliant

5 YEAR WARRANTY

50,000 HOUR LIFETIME

PRODUCT FEATURES

- Includes safety tether to add additional security for installation
- Environmentally friendly: No mercury used
- Instant start up
- Frosted lens eliminates glare
- Plug and play installation: No wiring required
- Operating temperature: -40°C/-40°F to 29°C/85°F
- Suitable for dry and damp locations
- Lower wattage draw can extend lifetime of HID ballast
- CRI >80

400W METAL HALIDE REPLACEMENT

Catalog Number	Supported Ballast Types	Lamp Wattage	Base Type	Orientation	Input Voltage	Driven by 400W (M59) Ballast		Driven by 320W (M154) Ballast	
						Lumens	System Wattage	Lumens	System Wattage
KT-LED130HID-V-EX39-8xx-S	400W (M59, M135), 320W (M154, M155)	130W	EX39	Vertical	Ballast Dependent	13,000	166W	11,000	138W

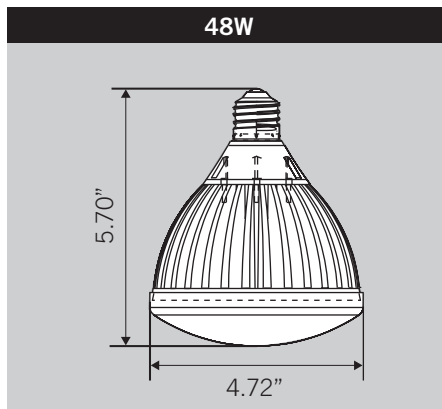
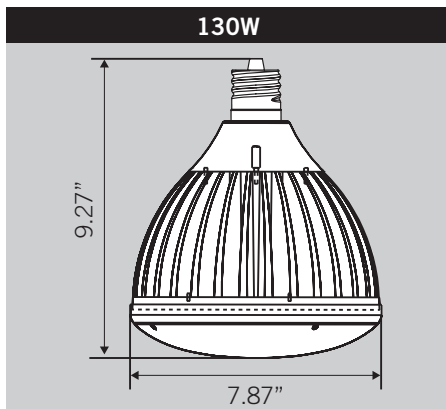
175W METAL HALIDE REPLACEMENT

Catalog Number	Supported Ballast Types	Lamp Wattage	Base Type	Orientation	Input Voltage	Driven by 175W (M57) Ballast	
						Lumens	System Wattage
KT-LED48HID-V-E26-8xx-S	175W (M57, M137, M152)	48W	E26	Vertical	Ballast Dependent	5,600	79W

*8xx denotes several color temperatures available:

840	800 Series, 4000K	850	800 Series, 5000K
------------	-------------------	------------	-------------------

PRODUCT DIMENSIONS



LAMP AND BALLAST KITS

The items above are also available with a corresponding Keystone ballast. When installed together, the lamp and ballast are eligible for a 5 year system warranty. To order, add -PKIT to the part number Example: KT-LED-130HID-V-EX39-840-S-PKIT

ArmorLight Temporary Fixtures

ARMOR LIGHT



**LIGHTWEIGHT
& HEAVY DUTY**



**EASY
INSTALLATION**



**RoHS
Compliant**

**5 YEAR
WARRANTY**



**50,000 HOUR
LIFETIME**

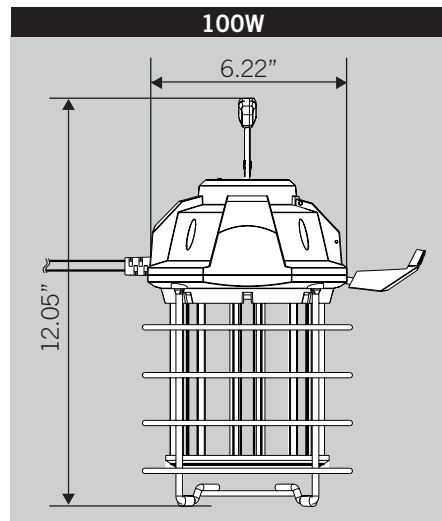
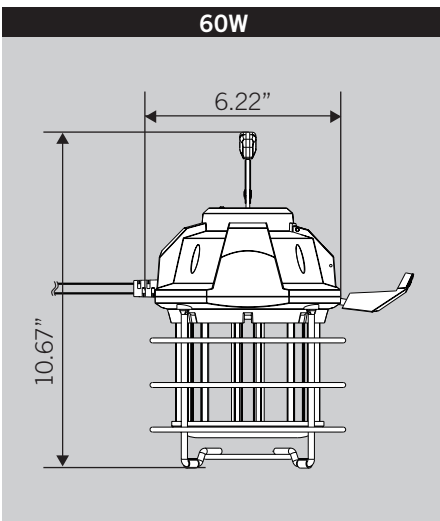
PRODUCT FEATURES

- 50,000 hour lifetime
- Frosted lens to reduce glare
- Includes a 3' cord and clip for maximum versatility when hanging the fixture
- Linkable
- Omni-directional light distribution
- 6kV surge protection
- Strong, durable, lightweight construction suitable for construction areas, outdoor activity lighting
- Isolated driver for better heat dissipation
- Driver with heat sink silicone is waterproof, dust-proof, and anti-mosquito
- Operating temperature: -40°C/-40°F to 60°C/140°F

Catalog Number*	Power Consumption	CRI	Input Voltage	Color Temperature	Total Lumens	Efficacy	IP Rating	Metal Halide HID Equivalent
KT-TFLED60-850 /G2	60W	≥80	120V	5000K	7,000	117 lm/W	IP64	175W
KT-TFLED100-850 /G2	100W	≥80	120V	5000K	11,500	115 lm/W	IP64	400W

*G1 items may be in stock and are not linkable; contact Keystone for details

PRODUCT DIMENSIONS



POP DISPLAYS NOW AVAILABLE




Retail Display



Countertop Display



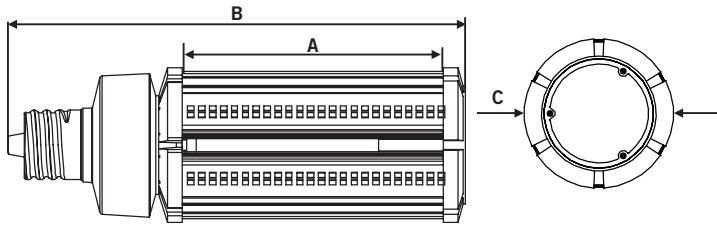
KEYSTONE'S RECOMMENDED STOCK ORDER FOR POP DISPLAYS

 DIRECT DRIVE HID LED	Wattage	Lumens	MH Equivalent	Recommended Stock Order Quantity
KT-LED12HID-E26-8xx-D	12W	1,740	50W	4
KT-LED18HID-E26-8xx-D	18W	2,610	70W	4
KT-LED27HID-E26-8xx-D /G2	27W	3,915	100W	6
KT-LED36HID-E26-8xx-D /G2	36W	5,400	150W	3
KT-LED45HID-E26-8xx-D /G2	45W	6,750	175W	3
KT-LED45HID-EX39-8xx-D /G2	45W	6,750	175W	6
KT-LED54HID-EX39-8xx-D /G2	54W	8,100	200-250W	9
KT-LED63HID-EX39-8xx-D	63W	9,450	250W	1
KT-LED80HID-EX39-8xx-D	80W	11,300	320W	1
KT-LED100HID-EX39-8xx-D	100W	14,100	400W	2
KT-LED115HID-EX39-8xx-D	115W	15,700	400W	1
 XPANDER	Wattage	Lumens	MH Equivalent	Recommended Stock Order Quantity
KT-LED27HID-H-EX39-850-D	27W	4,100	100W	3
KT-LED45HID-H-EX39-850-D	45W	6,060	175W	3
KT-LED63HID-H-EX39-8xx-D	63W	9,450	250W	2
KT-LED110HID-H-EX39-850-D	110	14,100	400W	2
 ARMOR LIGHT	Wattage	Lumens	MH Equivalent	Recommended Stock Order Quantity
KT-TFLED100-850-D	100W	11,500	400W	1

Contact your local representative for more information.

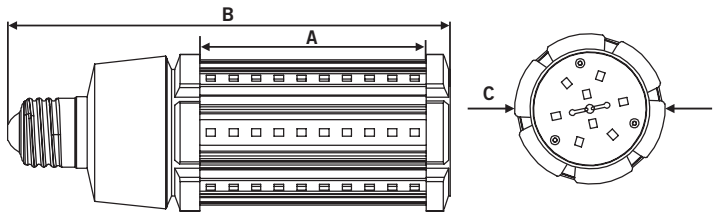
Keystone Technologies | North Wales, PA | 800-464-2680 | KeystoneTech.com

PRODUCT DIMENSIONS FOR 360° LAMPS



EX39 BASE

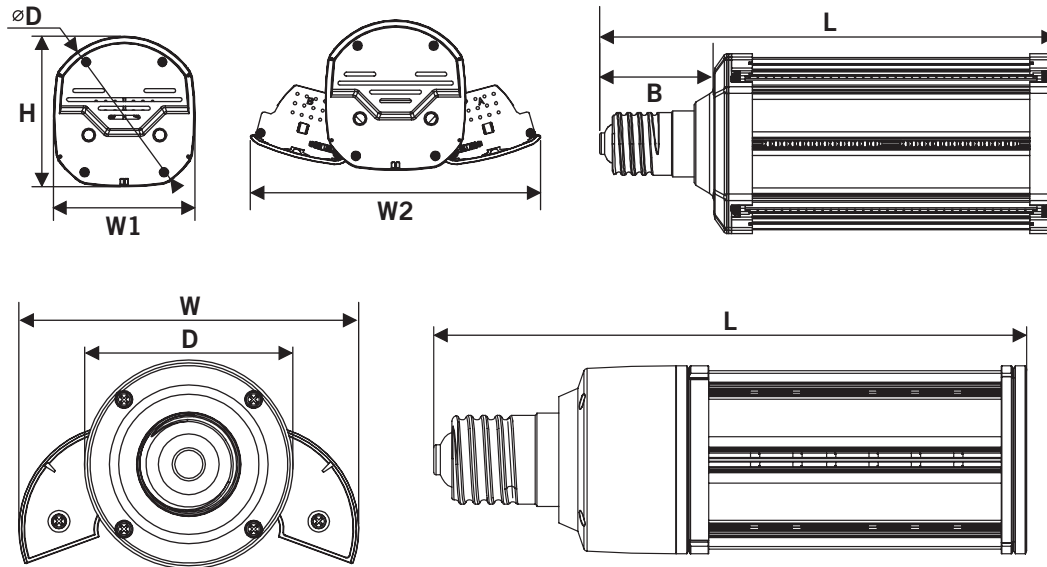
Lamp Wattage	27W	36W	45W	54W	63W	80W	100W
A Illuminated Length	3.43"	5.67"	5.07"	5.07"	5.67"	4.61"	5.78"
B Body Length	6.69"	8.62"	9.80"	9.80"	10.40"	11.40"	12.57"
C Diameter	2.36"	3.34"	3.34"	3.34"	3.34"	5.12"	5.12"



E26 BASE

Lamp Wattage	12W	18W	27W
A Illuminated Length	1.65"	2.44"	3.43"
B Body Length	4.92"	5.70"	6.69"
C Diameter	2.36"	2.36"	2.36"

PRODUCT DIMENSIONS FOR 180° HORIZONTAL XPANDER LAMPS



Lamp Wattage	80W	110W
Diameter	4.94"	4.94"
Height	4.67"	4.67"
W1 (Closed)	4.39"	4.39"
W2 (Open)	9.00"	9.00"
Length	8.71"	11.09"
Base	2.75"	2.75"

Lamp Wattage	45W
D (Closed Diameter)	3.23"
W (Open Width)	5.26"
Length	10.24"

ACCESSORIES (Sold Separately)

Catalog Number	Description
KTSP-10KV	External Surge Protector; Input Voltage 120-277V; Max. Peak Current: 10KV; IP65 Rated
KT-ADAPTER-E39-E26	Socket Base Adapter Allowing an E26 Base Lamp to be Used in an E39 Socket
KTAT-250-480-277	480V to 277V Step-Down Auto-Transformer

FREE PRODUCT SAMPLES AVAILABLE UPON REQUEST

Please call 800.464.2680 or email us at Samples@KeystoneTech.com

