

Electric Vehicle Charging Station Pedestal System

Single or Dual Mount EVSE Pedestal for use with Leviton Evr-Green® e30 & e40 Charging Stations



The Leviton commitment to help create a sustainable environment is further manifested in our complete line of electric vehicle supply equipment (EVSE) and support services. Whether you are an EV driver, a commercial business, utility company or municipality, there's an Evr-Green solution for you.

The EVSE pedestal used in conjunction with the Evr-Green e30 & e40 Electric Vehicle Charging Stations provide durable electric vehicle charging for indoor or outdoor uses. The EVSE pedestal system can accommodate up to 2 charging stations enabling charging for two parking spots. The EVSE pedestal is perfect for auto dealerships, car rental agencies, city & township municipalities, health care facilities, educational institutions and any commercial or MDU setting.



Evr-Green® e30 & e40 Electric Vehicle Charging Station

Features & Benefits

- Compatible with all Electric Vehicle Supply Equipment (EVSE) Codes, Standards and Recommended Practices, including SAE J1772™, NEC 625, UL 2231 and UL 2594
- Compact size, and unique wiring compartment design provides a hassle free installation
- Water-Resistant enclosure is rated NEMA Type 3R for indoor and outdoor use
- Thermoplastic, vandal-proof enclosure withstands the harshest environments
- “Auto-Reclosure” feature enables charging to restart following a minor fault, thereby reducing the chance of having an undercharged battery
- Ground monitor interrupter circuit for safety
- Integrated On/Off switch to minimize standby power
- Compatible with Evr-Green EVSE Pedestal System

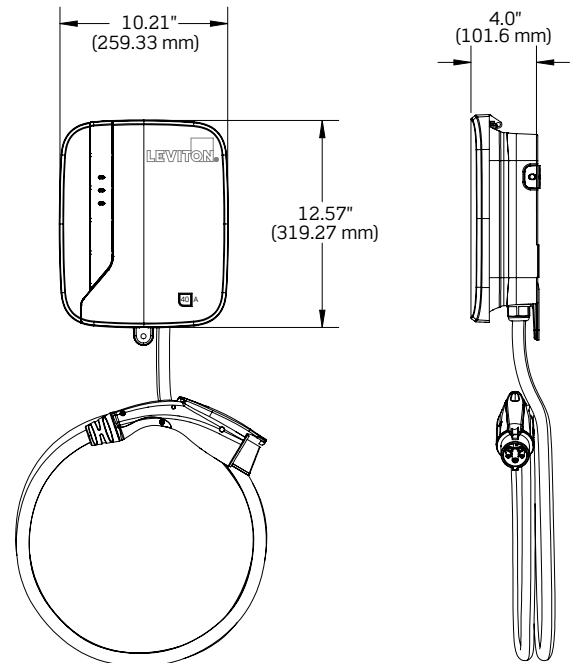
Specifications

Electrical Input	EVR30-B18	EVR40-B25
Amperage	30A	40A
Breaker	40A	50A
Voltage	208VAC – 240VAC	
Electrical Output		
Output Power	7.2kW (30A@240V)	9.6kW (40A@240V)
Charging Connector	SAE J1772™ Charge Connector on 18' (5.48 m) or 25' (7.62 m) long cable	
Material Specifications		
Enclosure	Thermoplastic	
Charging Cable	UL Type EV	
Environmental Specifications		
Operating Temperature	-22°F to +122°F (-30°C to +50°C)	
Storage Temperature	-40°F to +176°F (-40°C to +80°C)	
Operating Humidity	< 95% relative humidity, non-condensing	
Enclosure	NEMA Type 3R	
Charge Connector	NEMA Type 3S	
Standards, Code & Recommended Practice		
UL 2251	Standard for Plugs, Receptacles and Couplers for Electric Vehicles	
UL 991	Standard for Tests for Safety-Related Controls Employing Solid-State Devices	
UL 2231-1	Standard for Personnel Protection Systems for Electric Vehicle (EV) Supply Circuits	
UL 2231-2	Standard for Safety for Personnel Protection Systems for Electric Vehicle (EV) Supply Circuits	
UL 1998	Standard for Software in Programmable Components	
UL 2594	Standard for Electric Vehicle Supply Equipment	
UL 62	Standard for EV Flexible Cables	
SAE J1772™	Surface Vehicle Standard	
NEC Article 625	Electric Vehicle Charging System Equipment	
FCC Part 15	Federal Communications Commission Part 15 Radio Frequency Devices Class B Residential Use	
NOM-ANCE	Norma Oficial Mexicana	



EVR30-B18 shown

Dimensions



Evr-Green® Pedestal

Features & Benefits

- Allows for one or two electric vehicle charging stations to be efficiently mounted on a single pedestal to save installation cost, space and time
- Compliant with Americans with Disabilities Act (ADA) recommended charge connect height of less than 48" and greater than 24"
- Constructed of durable powder coated steel to withstand environmental conditions
- Convenient docking station for charge connector ensures added connector protection
- Inexpensive lockable and secure systems. Both the charging station and charge connector can be locked to prevent unauthorized use or removal
- 1 Year Warranty
- Pedestal also available separately from bundle

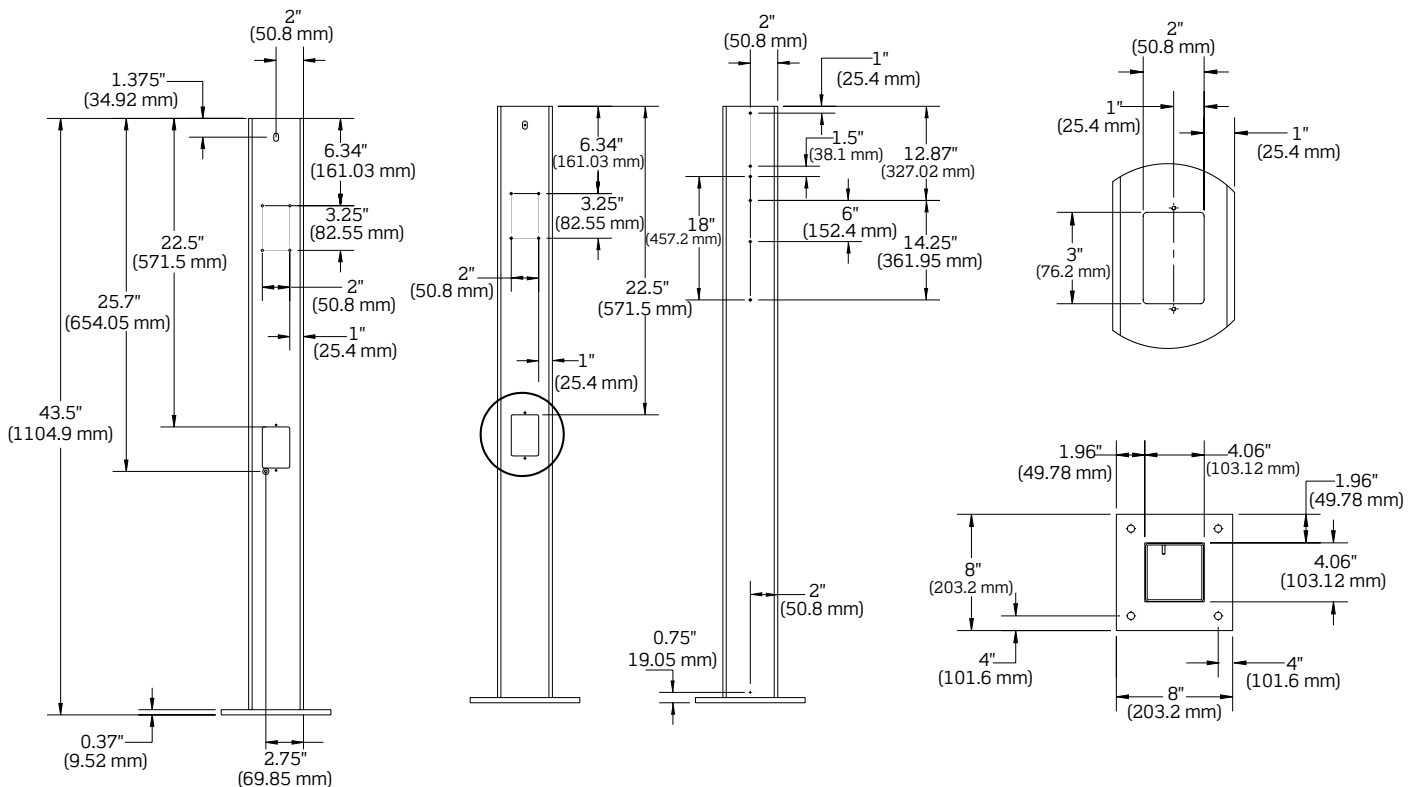
Specifications

Description	Material Specification
Pole/Base	Powder Coated Steel
Charge Connector Docking Bracket	Valox® PBT & Powder Coated Steel
Mounting Hardware	Stainless Steel

EVPED



Dimensions



Ordering Information

Cat. No.	Description
EVP30-B81	Evr-Green® e30 Charging Station, 30A, 7.2kW output, 18' charging cable & Pedestal Mounting Pole and Base (Includes (1) EVPED-002 & (1) EVR30-B18)
EVP40-B51	Evr-Green® e40 Charging Station, 40A, 9.6kW output, 25' charging cable & Pedestal Mounting Pole and Base (Includes (1) EVPED-002 & (1) EVR40-B25)
EVPED-002	Pedestal Mounting Pole and Base
EVR30-B18	Evr-Green® e30 Charging Station, 30A, 208-240VAC, 7.2kW output, 18' charging cable, hardwired
EVR40-B25	Evr-Green® e40 Charging Station, 40A, 208-240VAC, 9.6kW output, 25' charging cable, hardwired

Additional tools required for installation not included with purchase:

- Box wrench sized for anchor bolts
- Spanner driver
- Flat blade screwdriver
- Flexible liquid tight conduit cutter
- Wrenches appropriately sized for the hardwire hub and the flexible liquid tight conduit fitting
- ¾" knockout cutter
- Wire cutter
- Wire stripper

Installation Preparation - Additional parts/equipment required for installation not included with purchase:

- Leviton Evr-Green® e30 or e40 Charging Station
- 1" hub
- 1" to ¾" reducing bushing
- ¾" flexible liquid tight conduit fitting
- ¾" flexible liquid tight conduit (approx. 10")
- Dedicated 208 or 240 VAC branch circuit
- Circuit breaker appropriately sized for the EVSE charger (refer to EVSE Installation Guide)
- Two line conductors: Appropriately sized for the EVSE current capacity and in accordance with local and current NEC electrical codes
- One ground conductor: Appropriately sized for the EVSE current capacity and in accordance with local and current NEC electrical codes
- 3/8" stainless steel 18-8 anchor bolts with required nuts and washers or acorn nuts (4)
- Anti-Seize compound (recommended for use on all bolts and nuts)
- Optional disconnect switch can be added to installation



Distributed by



Visit our Website at:

www.leviton.com/evrgreen

email: evrgreen@leviton.com

Q-937B

Leviton Manufacturing Co., Inc.

201 N Service Rd, Melville, NY 11747

Telephone: 1-877-338-7473 • FAX: 1-800-832-9538

© 2017 Leviton Manufacturing Co., Inc. All rights reserved.

012717

