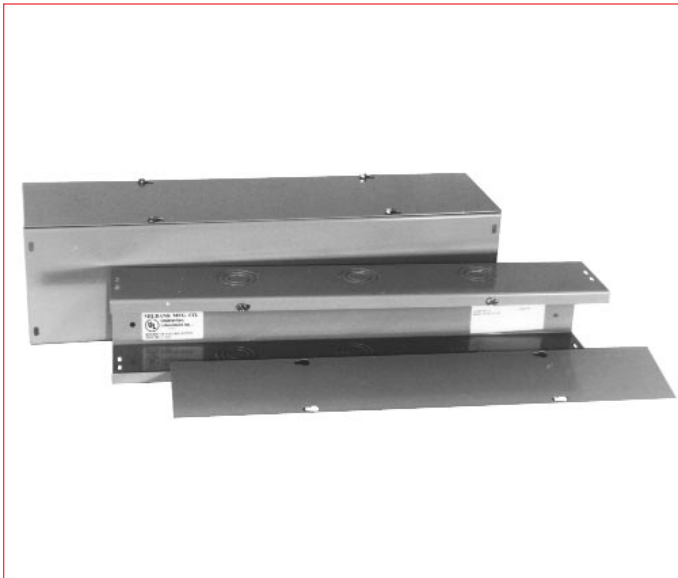


Description of Straight Sections * Lengths	Depth x Width							Side # of K.O.'s/
	3.00x3.00 (76x76)	4.00x4.00 (102x102)	4.00x6.00 (102x152)	6.00x6.00 (152x152)	8.00x8.00 (203x203)	10.00x10.00 (254x254)	12.00x12.00 (305x305)	
12.00 (305)	3312-GSC1	4412-GSC1	4612-GSC1	6612-GSC1	8812-GSC1	101012-GSC1	121212-GSC1	3
18.00 (457)	3318-GSC1	4418-GSC1	4618-GSC1	6618-GSC1	8818-GSC1			3
24.00 (610)	3324-GSC1	4424-GSC1	4624-GSC1	6624-GSC1	8824-GSC1	101024-GSC1	121224-GSC1	3
36.00 (914)	3336-GSC1	4436-GSC1	4636-GSC1	6636-GSC1	8836-GSC1	101036-GSC1	121236-GSC1	5
48.00 (1219)	3348-GSC1	4448-GSC1	4648-GSC1	6648-GSC1	8848-GSC1	101048-GSC1	121248-GSC1	7
60.00 (1524)	3360-GSC1	4460-GSC1	4660-GSC1	6660-GSC1	8860-GSC1	101060-GSC1	121260-GSC1	9
72.00 (1829)	3372-GSC1	4472-GSC1	4672-GSC1	6672-GSC1	8872-GSC1	101072-GSC1	121272-GSC1	11
120.00 (3048)	33120-GSC1	44120-GSC1	46120-GSC1	66120-GSC1	88120-GSC1	1010120-GSC1		19

**Description of Fittings**
*(Section C, pages 32-37)*

End Cover *	33GE	44GE	46GE	66GE	88GE	1010GE	1212GE	1
Universal Ends *	33GEU	44GEU	46GEU	66GEU	88GEU	1010GEU	1212GEU	1
Connectors	33GC	44GC	46GC	66GC	88GC	1010GC	1212GC	
Universal Connectors	33GCU	44GCU	46GCU	66GCU	88GCU	1010GCU	1212GCU	
Hangers	33GH	44GH	46GH	66GH	88GH	1010GH	1212GH	
End Flanges	33GF	44GF	46GF	66GF	88GF	1010GF	1212GF	
Tees	33GT	44GT	46GT	66GT	88GT	1010GT	1212GT	
Crosses	33GX	44GX		66GX	88GX	1010GX	1212GX	
Telescopic Fittings	33GTF	44GTF		66GTF	88GTF	1010GTF	1212GTF	
Reducers	3344GR	4466GR		6688GR	881010GR	10101212GR		
90° Elbows	33L90C	44L90C	46L90C	66L90C	88L90C	1010L90C	1212L90C	
	33L90S	44L90S	46L90S	66L90S	88L90S	1010L90S	1212L90S	
45° Elbows	33L45C	44L45C		66L45C	88L45C	1010L45C	1212L45C	
	33L45S	44L45S		66L45S	88L45S	1010L45S	1212L45S	

\* All straight sections, end covers, and universal ends are available without knockouts. Add suffix "-NK" to catalog number.



**Application:**

- Designed to allow long uninterrupted runs of electrical wiring in applications where moisture and dust are not a problem.
- All straight sections and fittings are completely open on one side so wires can be *laid-in* to the wireway.

**Construction:**

- Wireway and cover are manufactured from code gauge G90U galvanized steel
- Available with or without paint—for no paint refer to suffix -NP in the catalog number
- Covers have key hole slots for easy installation and are attached with plated steel screws
- Wireway is available with or without concentric knockouts on both sides—for no knockouts refer to suffix -NK in the catalog number
- Available in 7 standard sizes, 3x3, 4x4, 4x6, 6x6, 8x8, 10x10, and 12x12
- Wide range of fittings allow for change of direction, junctions, and terminations as well as transition from competitors products

**Finish**

- ANSI 61 gray polyester powder coating over phosphatized G90U galvanized steel

**Accessories**

- [Touch-Up Paint](#)
- [Replacement Covers](#)

**Note**

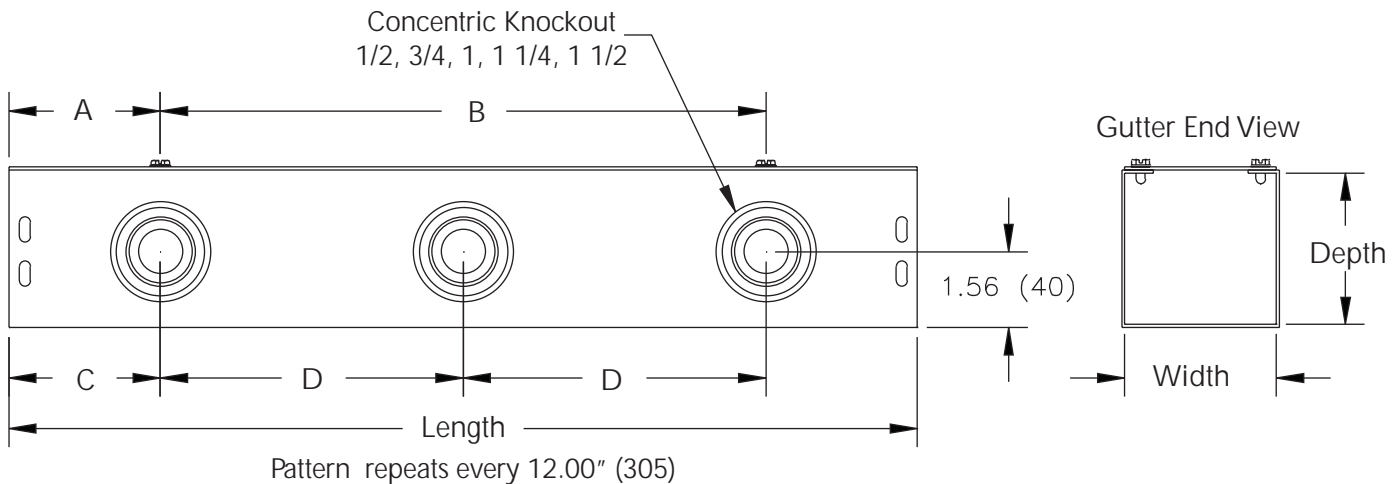
- Data subject to change without notice

**Industry Standards**

- UL 870—Type 1
- NEMA —Type 1
- CUL—Type 1 (Equivalent to CSA)



GUTTER LENGTH	A	B	C	D
12.00 (305)	1.00 (25)	10.00 (254)	2.00 (51)	4.00 (102)
18.00 (457)	3.00 (76)	12.00 (305)	3.00 (76)	6.00 (152)
24.00 (610) Thru 120.00 (3048)	6.00 (152)	12.00 (305)	6.00 (152)	6.00 (152)





**Application:**

- Designed to allow long uninterrupted runs of electrical wiring in applications where moisture and dust are not a problem.
- All straight sections and fittings are completely open on one side so wires can be *laid-in* to the wireway.

**Construction:**

- Wireway and cover are manufactured from code gauge G90U galvanized steel
- Available with or without paint—for no paint refer to suffix -NP in the catalog number
- Covers are hinged and fastened in place with plated steel screws
- Wireway is available with or without concentric knockouts on both sides—for no knockouts refer to suffix -NK in the catalog number
- Wide range of fittings allow for change of direction, junctions, and terminations as well as transition to competitors products

**Wireway Fittings**

- Wireway fittings are provided without knockouts except end caps which are available either way
- Available in 5 standard sizes: 4x4, 6x6, 8x8, 10x10, and 12x12

**Finish**

- ANSI 61 gray polyester powder coating over phosphatized G90U galvanized steel

**Accessories**

- Touch-Up Paint

**Note**

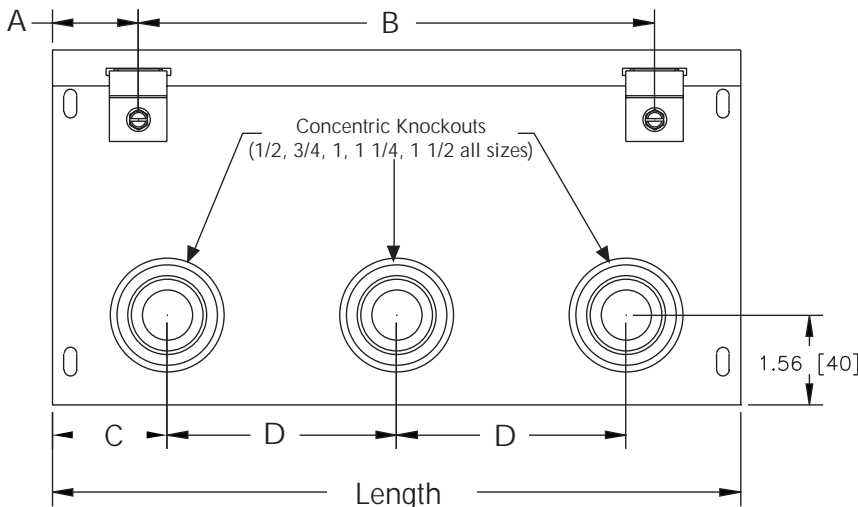
- Data subject to change without notice

**Industry Standards**

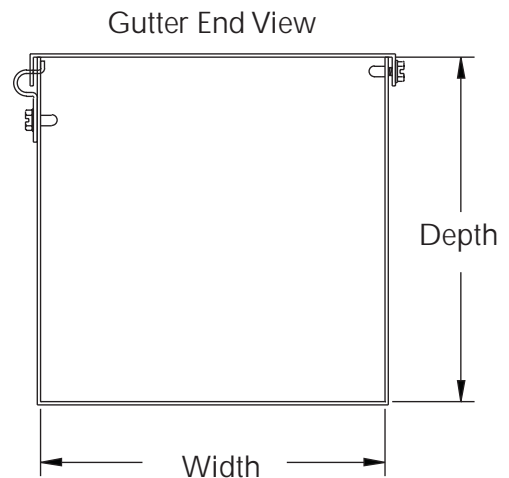
- UL 870—Type 1
- NEMA —Type 1
- CUL—Type 1 (Equivalent to CSA)

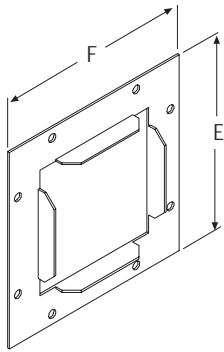


GUTTER LENGTH	A	B	C	D
12.00 (305)	1.50 (38)	9.00 (229)	2.00 (51)	4.00 (102)
24.00 (610) Thru 120.00 (3048)	6.00 (152)	12.00 (305)	3.00 (76)	6.00 (152)



Pattern repeats every 12.00" (305)

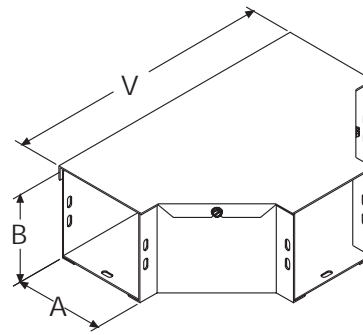




When access from a junction enclosure to a wireway is required, this piece mounts onto the opening of the enclosure and then secures to the wireway.

**GF—END FLANGES**

CAT. #	SIZE	STD. PKG.	WT. # @
33GF	3 X 3	10	.3
44GF	4 X 4	10	.4
46GF	4 X 6	10	.65
66GF	6 X 6	10	.75
88GF	8 X 8	10	1
1010GF	10 X 10	10	1.25
1212GF	12 X 12	10	1.5



The GFT for hinged covers is used when all three branches of the wireway run are open along the same side.

**GFT—TEES (for Hinge Covers)**

CAT. #	SIZE	STD. PKG.	WT. # @
44GFT	4 x 4	1	3.5
66GFT	6 x 6	1	7.3
88GFT	8 x 8	1	13

**Industry Standards**

- UL 870—Type 1
- NEMA —Type 1
- CUL—Type 1 (Equivalent to CSA)


**Note**

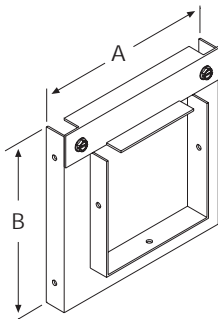
- Data subject to change without notice

(For dimensional information refer to chart on page 46)

**REDUCERS**

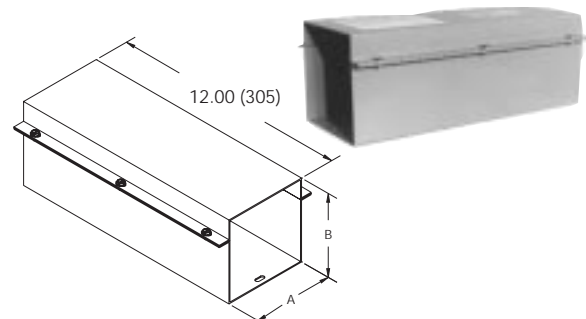
CAT. #	SIZE	STD. PKG.	WT. # @
3344GR	3 x 3—4 x 4	4	2.5
4466GR	4 x 4—6 x 6	4	4
6688GR	6 x 6—8 x 8	4	8
881010GR	8 x 8—10 x 10	4	10
10101212GR	10 x 10—12 x 12	4	12

Reduces one size wireway to a smaller size wireway. The inner opening is centered to keep the two wireway sizes relative to each other.


**GTF—TELESCOPIC FITTINGS**

CAT. #	SIZE	STD. PKG.	WT. # @
33GTF	3 X 3	1	3.3
44GTF	4 X 4	1	4.3
66GTF	6 X 6	1	5.3
88GTF	8 X 8	1	7.3
1010GTF	10 X 10	1	10
1212GTF	12 X 12	1	13

This fitting will accommodate a wireway run where the remaining section is not a standard length. Attach fitting to the end of the short piece to fill in the required distance.


**INTERCHANGEABLE FITTINGS:**

The following fittings are interchangeable between the screw cover and hinge cover wireways: Connectors, Hangers, End Flanges, 45 Elbows, Crosses, Reducers, Telescopic Fittings.