

# 600W Dimmer with HomeKit Technology

decora smart™



## APPLICATION

Leviton's Decora Smart™ accessories with HomeKit™ technology are designed to streamline home control using HomeKit-enabled accessories. Apple® HomeKit technology provides an easy, secure way to control HomeKit-enabled accessories using Siri® voice control on your iPhone®, iPad® or iPod touch®. After installing your Decora Smart™ Dimmer, configure it from the Leviton Decora Smart Home app with just a few simple steps. The free Leviton app provides control of connected loads, grouping into rooms and zones for easy control, as well as access to customizable lighting control settings including fade rate, minimum/maximum brightness, LED response activity, bulb type selection and more.

## LOW-WATTAGE LED LOADS

The latest generation of dimming technology for smart lighting control is engineered to work with sensitive, low-wattage bulbs, ensuring “off means off” for a single LED bulb in a hallway or a strand of holiday lights.

## UNMATCHED STYLE

Decora Smart with HomeKit Technology dimmers leverage the popular Decora form factor and styling, along with compatible accessories including three-way devices, color change kits, and wallplates.

To meet any decor, color change kits are available in black, ivory, gray, brown, white, and light almond. The dimmers feature true rocker action, pressing the top to turn on and the bottom to turn off. An indicator LED is hidden at the bottom of the rocker paddle, ensuring it won't catch dust or keep you awake at night. Additionally, the dim/brighten bar is conveniently located along the right side of the paddle, ensuring ease of use with the state-of-the-art device. Vanishing LEDs on the left side of the paddle show current and target light level with real-time feedback. For the most professional and cleanest installation, pair the device with an optional Leviton screwless wallplate.

## FEATURES

- The Decora Smart Dimmer is HomeKit-enabled using Wi-Fi technology for residential applications
- No Hub Required for local app control
- Decora Smart Home app provides control over connected lights – dim/brighten your lights individually or turn off an entire room at once
- Use Siri® on your iPhone, iPad or iPod touch to turn lights on/off or dim with just your voice
- Over The Air (OTA) firmware updates via Leviton Decora Smart Home App
- White and Light Almond color faces included and six color change kits available
- Rated for dimmable CFL and LED loads up to 300W
- Rated for incandescent loads up to 600W
- Soft fade on/off
- On/off LED (bottom) and Brightness Level LED (left side)
- Multi-location (3-way) dimming is achieved using up to 4 remote units, DD00R-DLZ.

## RATINGS

- Incandescent - 600W - 120VAC, 60Hz
- LED/CFL - 300W - 120VAC, 60Hz

## AGENCY STANDARDS AND COMPLIANCE

- Complies with UL 1472
- FCC Listing Part 15 and Part 18

## WARRANTY INFORMATION

Five-Year Limited Warranty

## Leviton Manufacturing Co., Inc. Global Headquarters

201 N. Service Rd. Melville, NY 11747-3138 Tech Line: 1-800-824-3005 Fax: 1-800-832-9538

## Leviton Manufacturing Co., Inc. Energy Management, Controls and Automation.

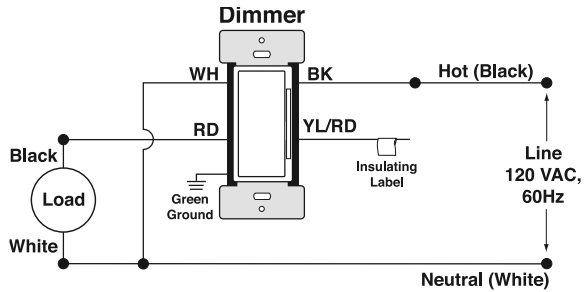
4330 Michoud Blvd., New Orleans, LA, 70129 Tel: 1-504-736-9810 Fax: 1-504-253-2954

Visit our Website at: [www.leviton.com/decorasmart](http://www.leviton.com/decorasmart)

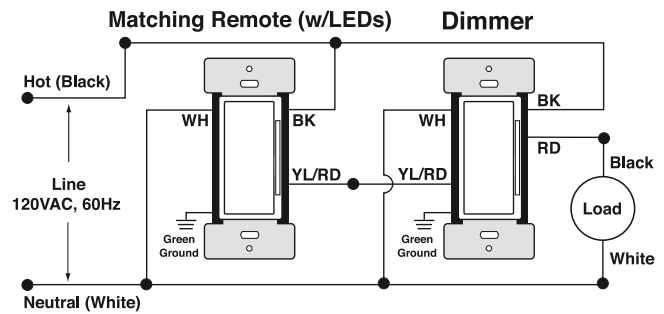
©2017 Leviton Manufacturing Co., Inc. All rights reserved. Subject to change without notice.

600W Dimmer with HomeKit Technology

**SINGLE POLE WIRING DIAGRAM**



**THREE-WAY WIRING DIAGRAM**



**ORDERING INFORMATION**

DESCRIPTION	CAT. NO.
600 Watt Dimmer with HomeKit Technology	DH6HD-1BZ
Matching Dimmer Remote	DD00R-DLZ

**Leviton Manufacturing Co., Inc. Global Headquarters**

201 N. Service Rd. Melville, NY 11747-3138 Tech Line: 1-800-824-3005 Fax: 1-800-832-9538

**Leviton Manufacturing Co., Inc. Energy Management, Controls and Automation.**

4330 Michoud Blvd., New Orleans, LA, 70129 Tel: 1-504-736-9810 Fax: 1-504-253-2954

Visit our Website at: [www.leviton.com/decorasmart](http://www.leviton.com/decorasmart)

©2017 Leviton Manufacturing Co., Inc. All rights reserved. Subject to change without notice.

SAT-10118  
REV MAR 2017