

# TYPE QFG ELECTRIC FAN-FORCED WALL HEATERS

CLIP-N-FIT® FEATURE  
PATENT NO. 6,172,343

**RESIDENTIAL:** QFG Series electric in-wall heaters are suitable for use in almost any room. Use single heaters in smaller rooms such as bedrooms and bathrooms. Use multiple heaters (controlled by a single thermostat) in larger rooms such as living rooms and family rooms. Wattage should be determined through heat loss calculations.

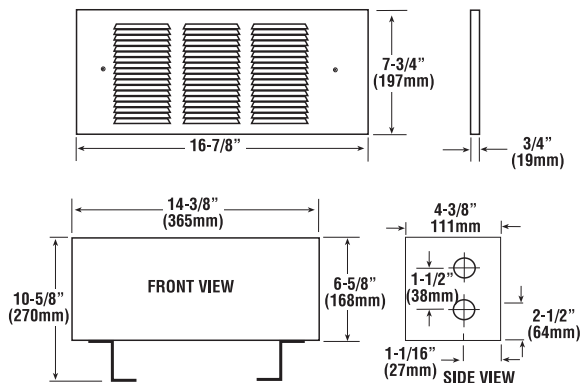
**COMMERCIAL:** Suitable as the primary heat source in smaller rooms and as supplemental heat in almost any general use area.

- **Dual Protection:** Thermal cutout with indicator light and one time thermal fuse.
- Tangential blower for whisper quiet operation.
- Sienna White baked enamel finish.
- Open coil element assures quick heat and low maintenance.
- Three piece construction for ease of installation.
- Permanently lubricated, dust-protected bearings.

## MOUNTING LIMITATIONS

For wall mounting only. Do not install back box closer than 4 inches from floor, 6 inches from adjacent walls and 36 inches from the ceiling. Do not install heater behind towel rack, behind door, in floor, in closet, in ceiling or where airflow may be obstructed. To insure proper operation, maintain 5-foot minimum clearance to furniture or other objects placed directly in front of the heater.

## DIMENSIONS



**NOTE:** Use of mounting feet is optional.

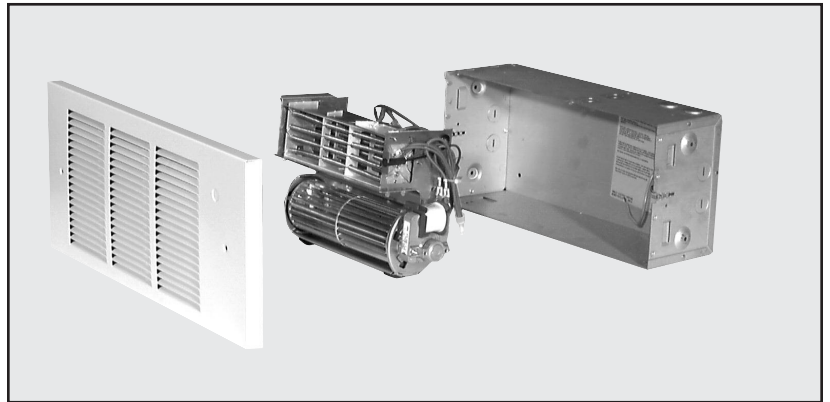
## DIMENSIONS:

Grille

16-7/8"W X 7-3/4"H X 3/4"D

Back Box

14-3/8"W X 6-5/8"H X 4-3/8"D



## SELECTION CHART

| CATALOG NUMBER | VOLTS | WATTS              | BUILT-IN THERMO | AMPS.            |
|----------------|-------|--------------------|-----------------|------------------|
| QFG1512IFM     | 120   | 375/750/1125/1500  | No              | 3.1/6.3/9.4/12.5 |
| QFG2024IFM     | 240   | 500/1000/1500/2000 | No              | 2.1/4.2/6.3/8.3  |
| QFG2224IFM     | 240   | 563/1125/1688/2250 | No              | 23.4/7.7/0/9.4   |
| QFG2228IF      | 208   | 2200               | No              | 10.6             |
| QFG1512T2M     | 120   | 275/750/1125/1500  | Yes             | 3.1/6.3/9.4/12.5 |
| QFG2024T2M     | 240   | 500/1000/1500/2000 | Yes             | 2.1/4.2/6.3/8.3  |
| QFG2224T2M     | 240   | 563/1125/1688/2250 | Yes             | 2.3/4.7/7.0/9.4  |

## ACCESSORIES

| CATALOG NO. | DESCRIPTION            |
|-------------|------------------------|
| GFRBB       | Single Back Box        |
| GFRBB6      | Back Box - Multi Pack  |
| QFGTSP      | Single Pole Thermostat |
| QFGTDP      | Double Pole Thermostat |
| GFRSM       | Surface Mounting Frame |

