

## FEATURES & SPECIFICATIONS

**INTENDED USE** — Typical applications include corridors, lobbies, conference rooms and private offices.

**CONSTRUCTION** — Galvanized steel mounting/plaster frame; galvanized steel junction box with bottom-hinged access covers and spring latches. Reflectors are retained by torsion springs. Vertically adjustable mounting brackets with commercial bar hangers provide 3-3/4" total adjustment. Two combination 1/2"-3/4" and four 1/2" knockouts for straight-through conduit runs. Capacity: 8 (4 in, 4 out). No. 12 AWG conductors, rated for 90°C.

Accommodates 12"-24" joist spacing.

Passive cooling thermal management for 25°C standard; high ambient (40°C) option available. Light engine and drivers are accessible from above or below ceiling.

Max ceiling thickness 1-1/2".

**OPTICS** — LEDs are binned to a 3-step SDCM; 80 CRI minimum. LED light source concealed with diffusing optical lens. General illumination lighting with 1.0 S/MH and 55° cutoff to source and source image. Self-flanged anodized reflectors in specular, semi-specular, or matte diffuse finishes. Also available in white and black painted reflectors.

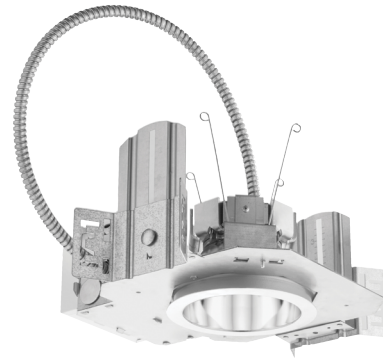
**ELECTRICAL** — Multi-volt (120-277V, 50/60Hz) 0-10V dimming drivers mounted to junction box, 10% or 1% minimum dimming level available. 0-10V dimming fixture requires two (2) additional low-voltage wires to be pulled. 70% lumen maintenance at 50,000 hours.

**LISTINGS** — Certified to US and Canadian safety standards. Damp location standard (wet location, covered ceiling optional). ENERGY STAR® certified product.

**WARRANTY** — 5-year limited warranty. Complete warranty terms located at: [www.acuitybrands.com/CustomerResources/Terms\\_and\\_conditions.aspx](http://www.acuitybrands.com/CustomerResources/Terms_and_conditions.aspx)

**Note:** Actual performance may differ as a result of end-user environment and application. All values are design or typical values, measured under laboratory conditions at 25 °C. Specifications subject to change without notice.

Catalog Number
Notes
Type



# LDN4

**4" OPEN  
Non-IC  
New Construction Downlight**



A+ Capable options indicated by this color background.

### ORDERING INFORMATION

Lead times will vary depending on options selected. Consult with your sales representative.

**Example:** LDN4 35/15 L04AR LSS MVOLT EZ1

LDN4		Color temperature		Lumens <sup>1</sup>		Aperture/Trim Color		Finish		Voltage			
Series	LDN4 4" round	27/	2700K	05	500 lumens	L04	Downlight	AR	Clear	LSS	Semi-specular	MVOLT	Multi-volt
		30/	3000K	10	1000 lumens	LW4	Wallwash	WR <sup>2</sup>	White	LD	Matte diffuse	120	120V
		35/	3500K	15	1500 lumens			BR <sup>2</sup>	Black	LS	Specular	277	277V
		40/	4000K	20	2000 lumens							347 <sup>3</sup>	347V
		50/	5000K	25	2500 lumens								
				30	3000 lumens								

Driver	Options
GZ10 0-10V driver dims to 10%	SF <sup>4</sup> Single fuse
GZ1 0-10V driver dims to 1%	TRW <sup>5</sup> White painted flange
EZ10 0-10V eldoLED driver with smooth and flicker-free deep dimming performance down to 10%	TRBL <sup>5</sup> Black painted flange
	EL <sup>4</sup> Emergency battery pack with integral test switch
	ELR <sup>4</sup> Emergency battery pack with remote test switch
EZ1 0-10V eldoLED driver with smooth and flicker-free deep dimming performance down to 1%	ELSD Emergency battery pack with self-diagnostics, integral test switch
	ELRSD Emergency battery pack with self-diagnostics, remote test switch
	E10WCP Emergency battery pack, 10W Constant Power, CA Title 20 compliant
	NPP16D <sup>6</sup> nLight® network power/relay pack with 0-10V dimming for non-eldoLED drivers (GZ10, GZ1).
	NPP16DER <sup>6</sup> nLight® network power/relay pack with 0-10V dimming for non-eldoLED drivers (GZ10, GZ1). ER controls fixtures on emergency circuit.
	NPS80EZ <sup>6</sup> nLight® dimming pack controls 0-10V eldoLED drivers (EZ10, EZ1).
	NPS80EZER <sup>6</sup> nLight® dimming pack controls 0-10V eldoLED drivers (EZ10, EZ1). ER controls fixtures on emergency circuit.
	N80 <sup>7</sup> nLight™ Lumen Compensation
	HAO <sup>8</sup> High ambient option (40°C)
	CP <sup>9</sup> Chicago Plenum
	WL Wet Location
	RRL___ RELOC®-ready luminaire connectors enable a simple and consistent factory installed option across all ABL luminaire brands. Refer to RRL for complete nomenclature. Available only in RRLA, RRLB, RRLAE, and RRLC12S.
	USPOM US point of manufacture

#### Notes

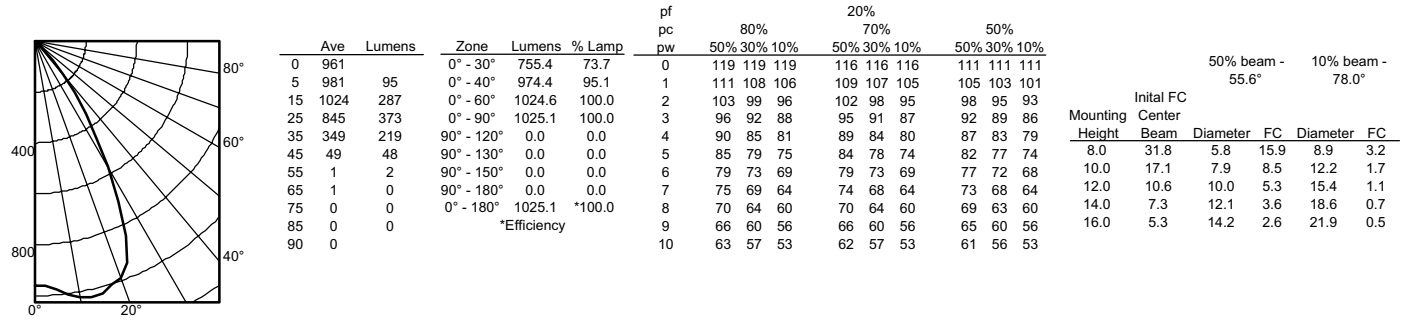
- Overall height varies based on lumen package; refer to dimensional chart on page 3.
- Not available with finishes.
- Not available with emergency options.
- Must specify voltage 120V or 277V.
- Available with clear (AR) reflector only.
- Specify voltage. ER for use with generator supply EM power. Will require an emergency hot feed and normal hot feed.
- Fixture begins at 80% light level. Must be specified with NPS80EZ or NPS80EZ ER. Only available with EZ10 and EZ1 drivers.
- Fixture height is 5-11/16" for all lumen packages with HAO.
- Must specify voltage for 3000lm.

# LDN4

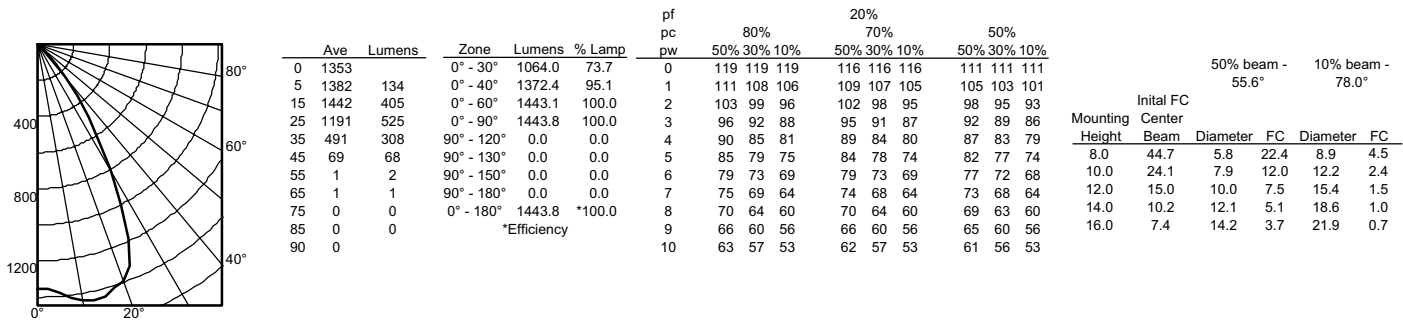
## PHOTOMETRY

Distribution Curve	Distribution Data	Output Data	Coefficient of Utilization	Illuminance Data at 30" Above Floor for a Single Luminaire
--------------------	-------------------	-------------	----------------------------	--

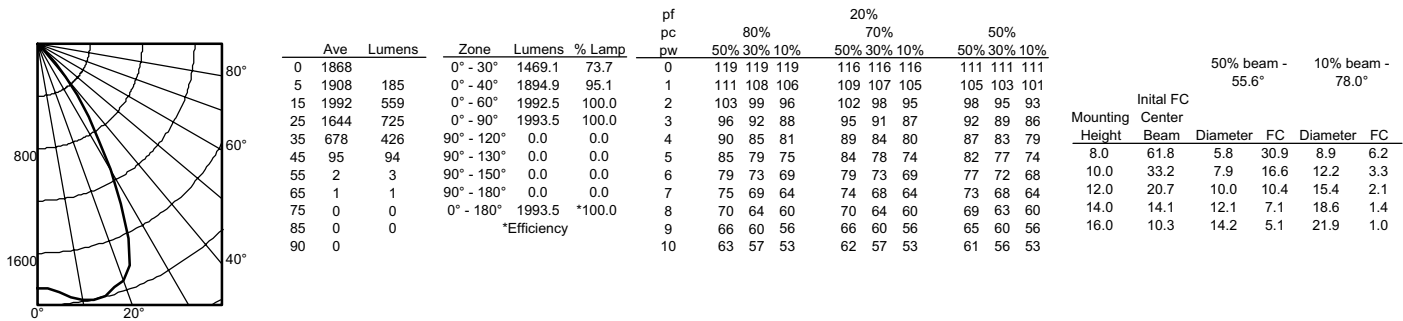
**LDN4 35/10 L04AR**, input watts: 12.69, delivered lumens: 1025.1, LM/W = 80.78, spacing criterion at 0= 1.04, test no. ISF 30712P31.



**LDN4 35/15 L04AR**, input watts: 20.44, delivered lumens: 1443.8, LM/W = 70.63, spacing criterion at 0= 1.04, test no. ISF 30712P28.



**LDN4 35/20 L04AR**, input watts: 22.52, delivered lumens: 1993.5, LM/W = 88.52, spacing criterion at 0= 1.04, test no. ISF 30712P25.



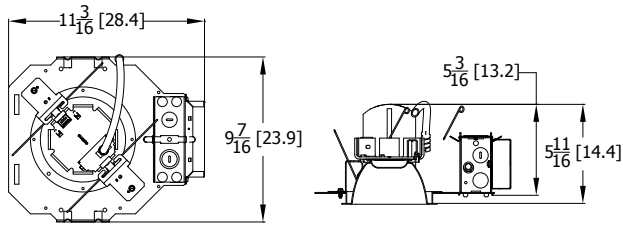
**Accessories:** Order as separate catalog numbers (shipped separately).

SCA4 Sloped ceiling adapter.  
Degree of slope must be specified (5D, 10D, 15D, 20D, 25D, 30D). Refer to [TECH-190](#).

# LDN4

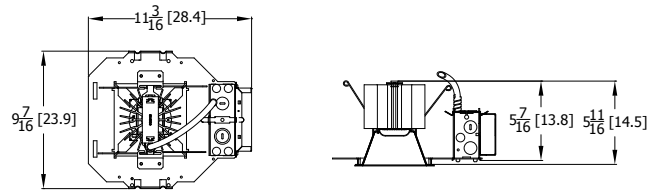
\* All dimensions are inches (centimeters) unless otherwise noted.

**LDN4 1500 LUMEN**



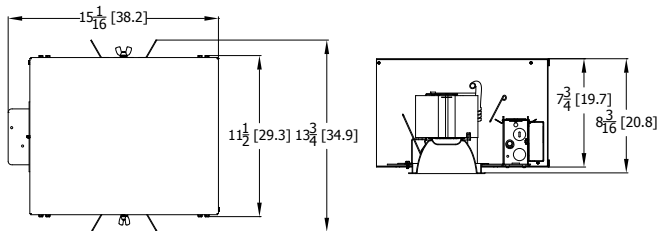
Aperture: 4-5/16 (11)  
Ceiling Opening: 5-1/8 (13)  
Overlap trim: 5-7/16 (13.8)

**LDN4 3000 LUMEN**



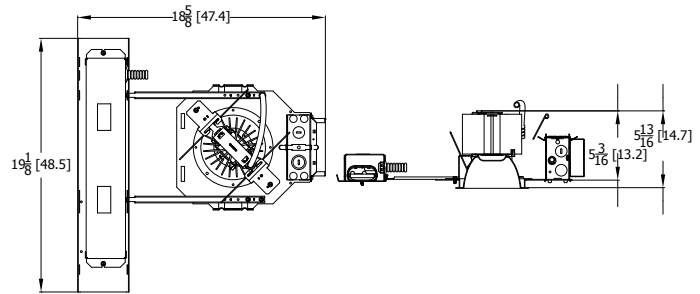
Aperture: 4-5/16 (11) Square  
Ceiling Opening: 5-1/8 (13) Square  
Overlap trim: 5-7/16 (13.8) Square

**LDN4 CP**



Aperture: 4-5/16 (11)  
Ceiling Opening: 5-1/8 (13)  
Overlap trim: 5-7/16 (13.8)

**LDN4 EL-ELR**



Aperture: 4-5/16 (11)  
Ceiling Opening: 5-1/8 (13)  
Overlap trim: 5-7/16 (13.8)

LDN4			
Target Lumen	Lumens @ 3500K	Wattage	LPW
500	688.8	8.5	80.8
1000	1025.1	12.7	80.7
1500	1443.8	20.4	70.8
2000	1993.5	22.5	88.6
2500	2659.0	30.1	88.3
3000	2860.1	34.8	82.2

LUMEN OUTPUT MULTIPLIERS - CCT					
	2700K	3000K	3500K	4000K	5000K
80CRI	0.950	0.966	1.000	1.025	1.101

EL/ELR AVAILABILITY/COMPATIBILITY - INITIAL LUMENS			
Lumen package	Watts	Initial lumens EL/ELR	Emergency LED driver
500	12	500	PS1050
1000	18	575	PS1050
1500	26	640	PS1050
2000	35	690	PS1050

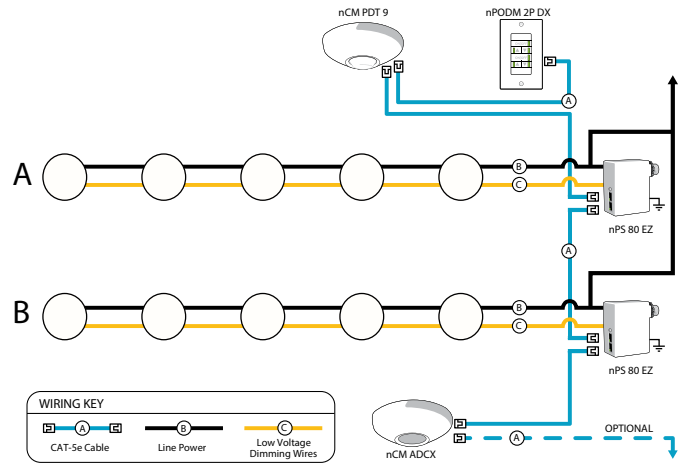
LUMEN OUTPUT MULTIPLIERS - FINISH			
	Clear (AR)	White (WR)	Black (BR)
Specular (LS)	1.0	N/A	N/A
Semi-specular (LSS)	0.950	N/A	N/A
Matte diffuse (LD)	0.85	N/A	N/A
Painted	N/A	0.87	0.73

**Notes**

- Tested in accordance with IESNA LM-79-08.
- Tested to current IES and NEMA standards under stabilized laboratory conditions.
- CRI: 80 typical.

ADDITIONAL DATA

COMPATIBLE 0-10V WALL-MOUNT DIMMERS		
MANUFACTURER	PART NO.	POWER BOOSTER AVAILABLE
Lutron®	Diva® DDTV	
	Diva® DV5CTV	
	Nova T® NTFTV	
	Nova® NFTV	
Leviton®	AWSMT-7DW	CN100
	AWSMG-7DW	PE300
	AMRMG-7DW	
	Leviton Centura Fluorescent Control System	
	IllumaTech® IP7 Series	
Synergy®	ISD BC	RDMFC
	SLD LPCS	
	Digital Equinox (DEQ BC)	
Douglas Lighting Controls	WPC-5721	
Entertainment Technology	Tap Glide TG600FAM120 (120V)	
	Tap Glide Heatsink TGH1500FAM120 (120V)	
	Oasis OA2000FAMU	
Honeywell	EL7315A1019	EL7305A1010
	EL7315A1009	(optional)
HUNT Dimming	Preset slide: PS-010-IV and PS-010-WH	
	Preset slide: PS-010-3W-IV and PS-010-3W-WH	
	Preset slide, controls FD-010: PS-IFC-010-IV and PS-IFC-010-WH-120/277V	
	Preset slide, controls FD-010: PS-IFC-010-3W-IV and PS-IFC-010-3W-WH-120/277V	
	Remote mounted unit: FD-010	
Lehigh Electronic Products	Solitaire	PBX
PDM Electrical Products	WPC-5721	
Starfield Controls	TR61 with DALI interface port	RT03 DALInet Router
WattStopper®	LS-4 used with LCD-101 and LCD-103	



nLight® Control Accessories: Order as separate catalog number. Visit <a href="http://www.sensorswitch.com/nLight">www.sensorswitch.com/nLight</a> for complete listing of nLight controls.			
<b>WallPod stations</b>	<b>Model number</b>	<b>Occupancy sensors</b>	<b>Model number</b>
On/Off	nPODM [color]	Small motion 360°, ceiling (PIR / dual tech)	nCM 9 / nCM PDT 9
On/Off & Raise/Lower	nPODM DX [color]	Large motion 360°, ceiling (PIR / dual tech)	nCM 10 / nCM PDT 10
Graphic Touchscreen	nPOD GFX [color]	Wide view (PIR / dual tech)	nWV 16 / nWV PDT 16
<b>Photocell controls</b>	<b>Model number</b>	Wall Switch w/ Raise/Lower (PIR / dual tech)	nWSX LV DX / nWSX PDT LV DX
Dimming	nCM ADCX	<b>Cat-5 cables (plenum rated)</b>	<b>Model number</b>
		10', CAT5 10FT	CAT5 10FT J1
		15', CAT5 15FT	CAT5 15FT J1

**A+ Capable Luminaire**

This item is an A+ capable luminaire, which has been designed and tested to provide consistent color appearance and out-of-the-box control compatibility with simple commissioning.

- All configurations of this luminaire meet the Acuity Brands' specification for chromatic consistency
- This luminaire is part of an A+ Certified solution for nLight® control networks when ordered with drivers marked by a **shaded background\***
- This luminaire is part of an A+ Certified solution for nLight control networks, providing advanced control functionality at the luminaire level, when selection includes driver and control options marked by a **shaded background\***

To learn more about A+, visit [www.acuitybrands.com/aplus](http://www.acuitybrands.com/aplus).

\*See ordering tree for details