

- Slim ½-inch profile sits nearly flush against a ceiling.
- Interior Wet-rating accommodates showers, laundry rooms, kitchens and more.
- White finish blends into the ceiling and is easy to wipe clean.



SMART LED DOWNLIGHTING SOLUTIONS

Kichler offers you smart downlighting solutions that get the job done: using less time and money, and without sacrificing the look customers want. Plus, these long lasting LEDs feature a 5-year/40,000 hour warranty.



FEATURES	HORIZON	LED DOWNLIGHT (GEN II*)	LED DOWNLIGHT (GEN I)	
	Slim ½-inch profile blends seamlessly into the ceiling and works in any room	Ideal for larger rooms or anywhere ceilings are 9-feet or more	Use in smaller rooms or hallways	
Item Number	43855WHLED30T	43848WHLED27T/30T 43848NILED27T/30T 43848OZLED27T/30T	43845WHLED27 43845WHLED30	43846WHLED27 43846WHLED30
Light Source	LED	LED	LED	LED
Kelvin Temp	3000	2700/3000	2700/3000	2700/3000
Diameter	6.5"	7.5"	5.9"	7.5"
Height	0.5" from ceiling	1.25"	1.25"	1.25"
Lumen Output	850	1000	535	850
Watts	12.5	15	12	15
Efficacy (Lumens/Watt)	68	66	44	57
Dimmable	Yes – down to 10%	Yes – down to 10%	Yes – down to 10%	Yes – down to 10%
Available Finishes	White – WH	White – WH Nickel – NI Olde Bronze – OZ	White – WH	White – WH
Rating	Interior Wet	Interior Wet	Interior Wet, Exterior Damp	Interior Wet
Energy Star	Yes	Yes	Yes	Yes
Title 24 Compliant	Yes	Models ending with "T"	No – unless outdoor under-eave	No
FCC Compliant	Yes	Yes	Yes	Yes
J-box type	4" octagon or square ceiling J-boxes w/ 2-½" depth	All 4" and 3" round, square and octagon ceiling J-boxes	All 4" and 3" round, square and octagon ceiling J-boxes	All 4" and 3" round, square and octagon ceiling J-boxes
Ceiling Height	9'	>9'	Small spaces and outdoor under-eaves	9'
Color Rendering Index (CRI)	90+	90	90	90

* Non-T24 version available. Order with same item number minus the "T".

CREATES A SLEEK AND SOUGHT-AFTER LOOK
In Showers, Offices, Laundry Rooms and More



HORIZON LED DOWNLIGHTS

Hidden appeal, Stand-out benefits

Enjoy the seamless look of a recessed light with the installation ease of a junction-box fixture. Horizon LED downlights sit nearly flush against the ceiling, creating a sleek and sought-after end effect. Yet the highly energy efficient LED fixtures install in a fraction of the time it takes to mount a traditional recessed housing. They snap into a 4-inch octagon or square ceiling junction box — saving time and money on every install.

KICHLER

KICHLER

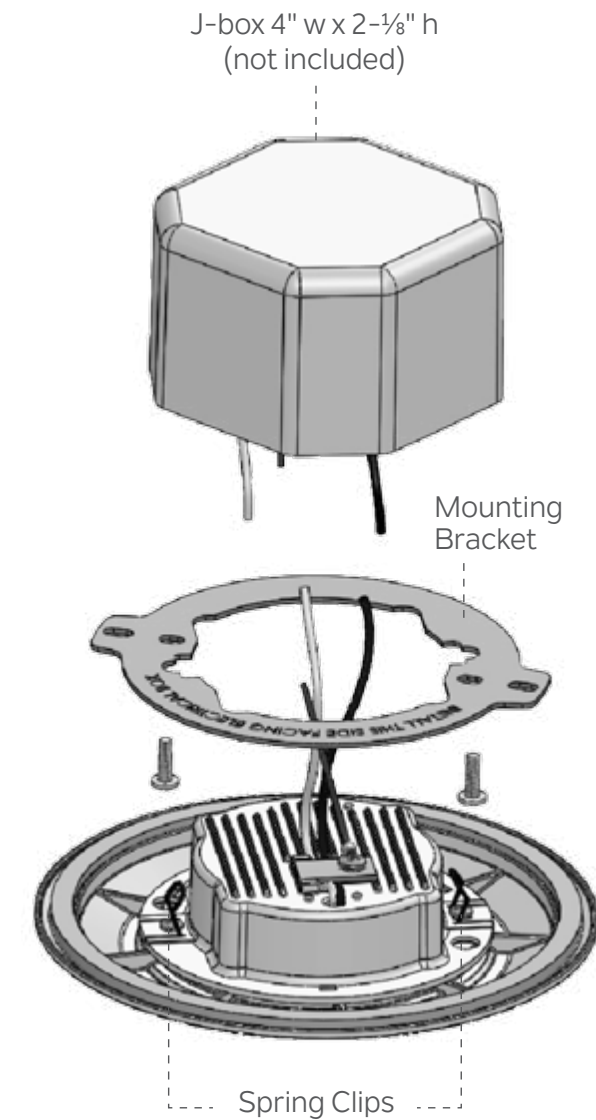
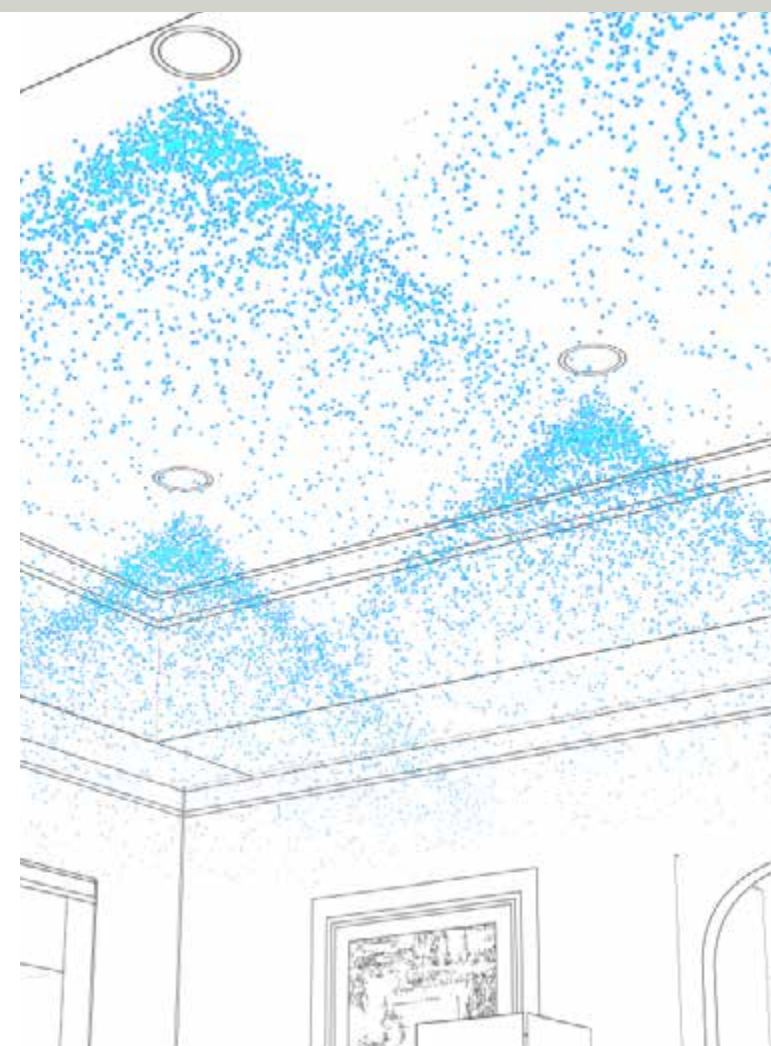
HORIZON LED DOWNLIGHTS deliver the seamless look of a recessed light with the installation ease and efficiency of a junction-box fixture.



CASTS A BEAUTIFUL LIGHT THAT FILLS A ROOM

- Evenly disperses light through its recessed LED array and flat, diffused lens.
- High lumen (light) output and 110° beam spread means you will have well dispersed ambient lighting from fewer fixtures than cans — saving money on materials and labor.
- Engineered to work with many popular, standard wall dimmers*; advanced design ensures a smooth, even dimming of light.
- T24 Certification equates to greater reduced flicker, and also brings out richer, truer colors.

ILLUMINATION AT A DISTANCE			
	Center Beam fc	Beam Width	
		Vertical Spread: 109.9°	Horizontal Spread: 110.0°
2.0 ft	78.0 fc	5.7 ft	5.7 ft
4.0 ft	19.5 fc	11.4 ft	11.4 ft
6.0 ft	8.66 fc	17.1 ft	17.1 ft
8.0 ft	4.87 fc	22.8 ft	22.9 ft
10.0 ft	3.12 fc	28.5 ft	28.6 ft
12.0 ft	2.17 fc	34.2 ft	34.3 ft



INSTALLS IN A FRACTION OF THE TIME IT TAKES TO MOUNT A RECESSED LIGHT

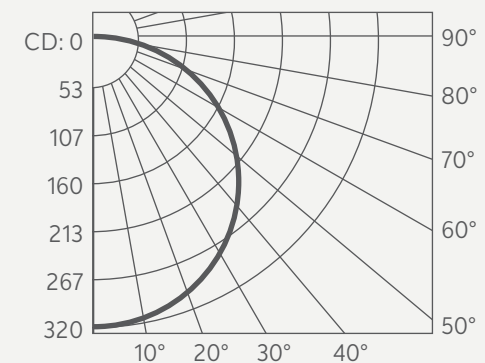
- All-in-one fixture — integrated LED light, housing and trim — saves on labor time and material.
- Fits in a 4" octagon or square ceiling J-box, allowing flexibility of light placement as soffits and ductwork don't get in the way.
- Wire nuts are provided to help save time with connectivity.
- Snap-in design makes it quick and easy to secure the fixture into place — a major perk for installers.



43855WHLED30T Recessed diffuser

KICHLER.

POLAR CANDELA DISTRIBUTION



HIGHLY ENERGY EFFICIENT

- Provides high delivered lumens (light output) while using less energy: comparable to a 75-watt incandescent bulb, yet consumes only 12.5 watts.
- Saves homeowners money on energy costs.
- Lasts 40,000 hours: 50 times longer than the average 75-watt incandescent bulb.
- Close seal prevents air escape, leading to additional household efficiencies.

AIR MOVEMENT TEST - ROOM TO CEILING VIA FIXTURE

Fixture	CFM - per fixture	Average CFM per 2,500 Sq Ft Home*	Notes
Kichler Horizon	0.352	8.8	Prevented 4-½ times the air escape than Recessed Brand X
Brand X - LED Recessed Trim	1.634	40.85	
IECC-2009 Standard (CFM must be lower than)	2.0	50.0	Horizon represents an 82.5% reduction of air escape when compared to the standard.

Source: CSA Group conducted 3rd party testing of each fixture to the same standards in a controlled environment.
 * Average CFM results per 2,500 sq/ft home are based on a numerical calculation of these test results across 25 fixtures.
 For official efficiency ratings and rebates, HERS testing would need to be conducted on the whole home at time of completion.
 CFM - cubic feet per minute

* For the complete IES file, recommended dimmers, video and spec sheet visit kichler.com.

