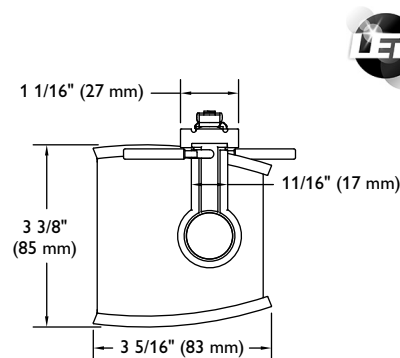
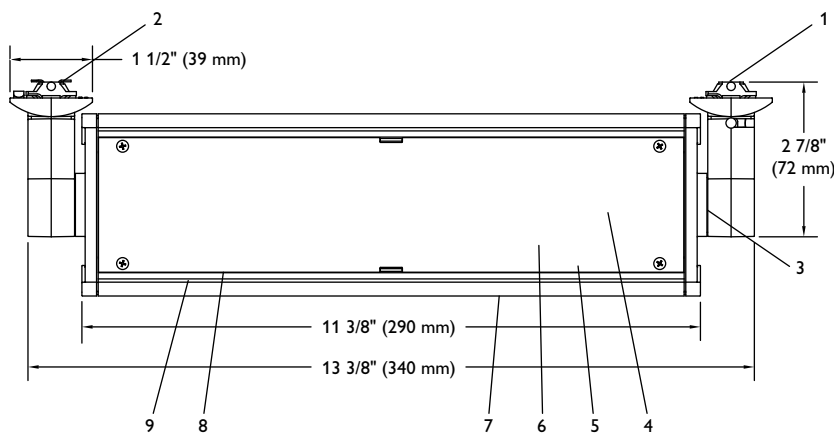


Catalog number:

Notes:

Type:



Ordering information example: LLF230WH

Catalog no.	CCT	Finish	Mounting
LLF2 LightFlood LED	27 2700K 30 3000K 40 4000K	WH White BK Black AL Aluminum	For use with Radius, Basic and Advent track. For monopoint applications refer to spec sheet 6170 and 6190. Will require two monopoints. Not compatible with extension wands, multipoint, ProSpec track, clamp-on monopoint or sloped ceiling adapter.

Features

- Track attachment fitting:** For mechanical/electrical connection.
- Brass contact:** Extends for connection to second circuit (Advent track only).
- Vertical pivot:** 0-90° vertical adjustment.
- LED board:** For efficient thermal management. FR4 PCB with vias.
- Optical assembly:** Reflector and diffuser.
- Light source:** 20 LEDs.
- Housing:** Die cast aluminum end plates and extruded aluminum heat sink perform as housing for light engine and driver.
- Cover lens:** Diffuser prevents dust and other contaminants from entering Reflector and LED surfaces.
- Accessory groove:** Integrated groove in housing allows accessories to be installed directly to housing. Accessories sold separately.

Accessories

Accepts one of the following:
 Louver - LLF2LV (BK only)
 Visor - LLF2VS (AL, BK, WH)
 Contact factory for competitor adaptor options.

Electrical

Input voltage: 120V
Input frequency: 50/60 Hz
Nominal input power: 33.6W
Efficacy: Approximately 68.1 lm/w
Input current: 306 mA
THD: < 5%
Power factor: > .90
Lumen maintenance: >70% of initial lumens @ 50,000 hrs
Photometric performance: Tested in accordance to LM79

Dimming

Not dimmable

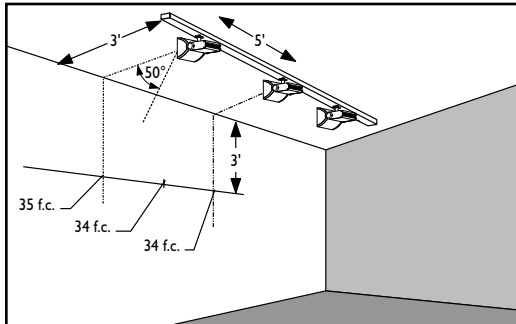
Finish

All painted finishes are powder coated.

Labels

c.U.L. us listed. 5 year warranty.
 Energy Star certified.

Lighting data



Footcandles on wall
Lamp information
 Lumens: 2250
 Rated average life: 50,000 hrs.

Example: With track located 3' from wall and multiple units spaced 5' on center and aimed 50° from horizontal, the illumination on wall 3' from ceiling will be 35 f.c. beneath units and 34 f.c. between units.

Footcandles on wall

Track 3 feet from wall

Single unit

Multiple units

Distance from ceiling	0'	1'	2'	3'	4'	5'
1'	67	55	35	18	9	4
2'	59	51	34	20	10	5
3'	39	35	26	17	10	5
4'	25	23	18	13	8	5
5'	15	14	12	10	7	5
6'	10	10	9	7	6	4
7'	7	7	6	5	4	3
8'	5	5	5	4	3	3
9'	4	4	3	3	3	2

4'	5'	6'
76 69 76	69 57 71	61 35 61
55 54 55	50 46 51	41 30 41
38 38 38	35 34 35	27 24 27
27 28 27	26 26 26	19 18 19
20 20 20	19 19 20	14 14 14
15 15 15	15 15 15	10 10 10
11 11 11	12 12 12	8 8 8
8 9 8	9 10 10	6 6 6
6 7 6	8 8 8	5 5 5

Track 4 feet from wall

Single unit

Multiple units

Distance from ceiling	0'	1'	2'	3'	4'	5'
1'	39	35	26	16	10	6
2'	38	35	27	18	11	7
3'	30	28	23	16	11	7
4'	22	21	18	13	9	6
5'	15	15	13	10	8	5
6'	11	11	10	8	6	5
7'	8	8	7	6	5	4
8'	6	6	5	5	4	4
9'	4	4	4	4	3	3

4'	5'	6'
60 58 60	53 49 53	45 31 45
50 50 50	45 43 45	44 34 44
39 40 39	35 35 36	36 31 36
30 30 30	28 28 28	27 26 27
23 23 23	22 22 22	21 20 21
18 18 18	18 18 18	16 16 16
14 14 14	14 15 14	13 13 13
11 11 11	11 12 12	10 10 10
8 9 8	10 10 10	8 8 8



Philips Lightolier
 e: lol.webmaster@philips.com
 t: (508) 679-8131
 w: www.lightolier.com

LLF2 November 29, 2012

Specifications are subject to change without notice.
 © Koninklijke Philips Electronics N.V., 2010. All rights reserved.