



# UNDERCABINET LIGHTING

Pro - Series SoftTask™ LED  
3000K, DIMMABLE

**UPS09, UPS14, UPS22,  
UPS30 AND UPS40**

Project: \_\_\_\_\_

Fixture Type: \_\_\_\_\_

Location: \_\_\_\_\_

Contact/Phone: \_\_\_\_\_



## PRODUCT DESCRIPTION

The Pro-Series LED modular series with integral electronic driver operates 3000K LEDs for maintenance free 50,000 hour life using 1/6 the energy of halogen and virtually no heat. Pro-Series LED fixtures are optimized for fast permanent installation, mounting either flush to the rear backsplash or to the front lip of cabinetry to suit project conditions and homeowner preference. Pro-Series SoftTask™ undercabinet luminaires mimic fluorescent and provide an even wash of light, free of hot spots and surface shadows. 5-year limited warranty.

## PRODUCT SPECIFICATIONS

**LEDs** Utilizes warm-white 3000K LEDs tightly binned to within a 3-step MacAdam ellipse for superb color consistency • Light output equivalent to Pro-Series Fluorescent fixtures • Provides 50,000 hour service life • 90 CRI minimum.

**Driver** Integral electronic 120-volt constant current driver is accessible without having to remove fixture • Dimmable with most incandescent, magnetic low voltage or electronic low voltage wall box dimmers • For a list of compatible dimmers, refer to the following pages.

**Housing** Slim 1" profile • Modular plug-together design • Extruded Aluminum • Designer white, black, brushed bronze, or brushed silver.

**Diffuser** PC diffuser (Poly Carbonate). Provides uniform illumination without hot spots.

**Switch** Available with or without convenient integral On/Off rocker switch.

**Optional Integral Occupancy Sensor** 22", 30" and 40" are available with Passive Infrared (PIR) Occupancy Sensor. The PIR sensor has a field adjustable time delay that can be set from 30 sec. to 30 min. All additional luminaires connected to the luminaire with occupancy sensor will be controlled by the single sensor.

**Labels** cULus listed for damp locations • Certified to the high efficacy requirements of California T24 JA-8 • ENERGY STAR® certified.

## INSTALLATION

UPS Series fixtures offer several convenient methods for installation and can be installed as direct wire or portable luminaires. Fixtures may be mounted flush to the backsplash or up against the front lip of the cabinetry using captive mounting screws.

**Direct Wire** The UPS14, UPS22, UPS30 and UPS40 are optimized with a center rear wiring access compartment and push-in electrical connectors for quick electrical connection using non-metallic or armored cable • The UPS14, UPS22, UPS30 and UPS40 also feature multiple off-center knockouts and are supplied with die cast fittings for 3/8" flexible metal conduit • Optional direct-wire modules sold separately supplied with a jumper cord to bring power to the fixture, is also available to facilitate code compliant installation of fixture at the front end of cabinetry • Please note that if direct wiring is required for the UPLED09, a direct wire module must be utilized.

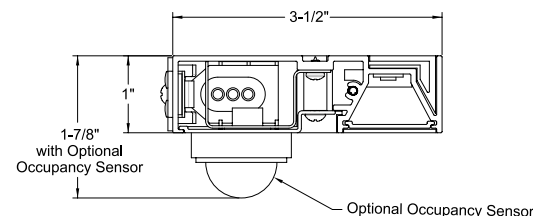
**Portable** To install the UPS14, UPS22, UPS30 or UPS40 as a portable fixture, use the optional 3-wire grounded cord & plug (U6CP sold separately) or specify -6CP option. Note: UPS09 cannot be wired with U6CP.

**Electrically Connecting Multiple Fixtures** Connect multiple fixtures for up to 5 amps maximum combined operating current • Fixtures may be electrically joined together using either the straight joiner connector supplied with each fixture or the optional JC3 jumper cords • See accessories table for lengths and colors. See engineering data table for input current draw of each fixture size.

## ENGINEERING DATA

	UPS09	UPS14	UPS22	UPS30	UPS40
Total input power (watts)	4.6	6.5	10.6	12.5	16.4
Total Operating AMPS	.04	.06	.09	.11	.14
Lumens	304	422	731	844	1178
Lumens/watt	65	64	68	67	71

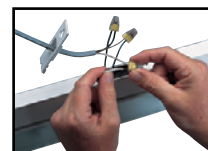
## DIMENSIONS



## PRO-SERIES LED 5 MINUTE DIRECT-WIRE INSTALLATION FOR UPS14, UPS22, UPS30 AND UPS40



**Step 1** Attach supply wires to rear access cover.



**Step 2** Connect supply wires to fixture leads using push-in connectors.



**Step 3** Mount fixture to cabinet bottom using captive mounting screws.

# UNDERCABINET LIGHTING

Pro - Series SoftTask™ LED  
3000K, DIMMABLE

## UPS09, UPS14, UPS22, UPS30 AND UPS40

### ORDERING INFORMATION

#### PRODUCT CODES

Series	CCT	CRI	Finish	Options
UPS09	30K 3000K	90CRI 90 CRI	BL Black	6CP Portable w/ 6' Cord & Plug
UPS14			BZ Brushed Bronze	NS No Switch
UPS22			SL Brushed Silver	OC Occupancy Sensor with Switch
UPS30			WH White	OCNS Occupancy Sensor without Switch
UPS40				

Occupancy Sensor is available on UPS22, UPS30 and UPS40 only.

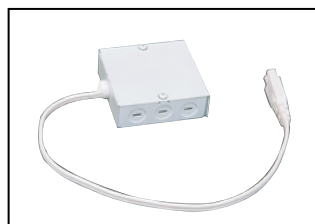
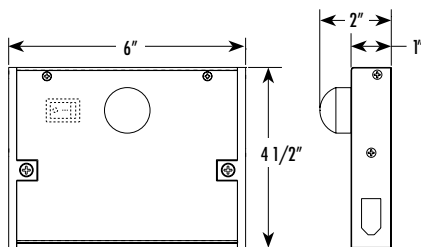
<sup>†</sup>UL Listed as portable fixture when supplied from factory with cord and plug. UPS09 not available as portable.

### ACCESSORIES

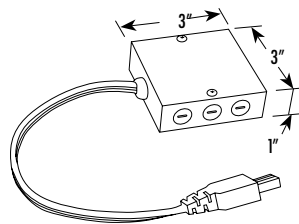
Catalog No.	Description
JC3 8IN WH, BL	8" Jumper Cord
JC3 17IN WH, BL	17" Jumper Cord
JC3 26IN WH, BL	26" Jumper Cord
UCONN	3/8" Miniature Die-Cast Electrical Connector
U6CP WH, BL	3-Wire Grounded Cord & Plug
UDWMOC WH, BL	Direct Wire Occupancy Sensor Module
UDWMOC WH, BL, RS	Direct Wire Occupancy Sensor Module w/ Rocker Switch
UDWM WH, BL	Direct Wire Module



UDWMOC XX RS  
UDWMOC



UDWM



# UNDERCABINET LIGHTING

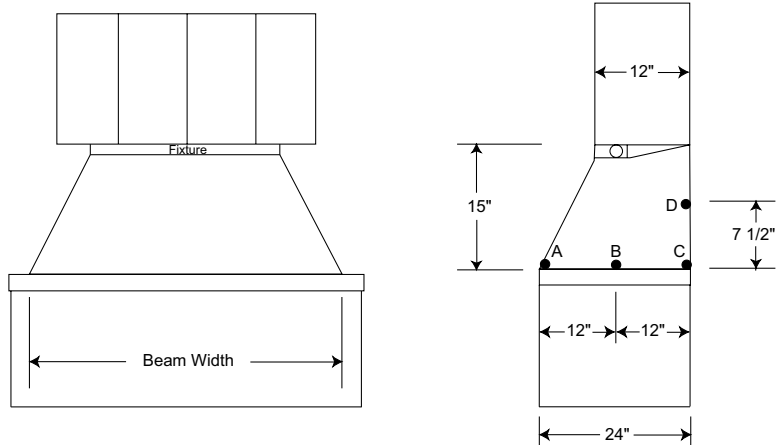
Pro - Series SoftTask™ LED

3000K, DIMMABLE

## UPS09, UPS14, UPS22, UPS30 AND UPS40

### LIGHTING APPLICATION DATA

#### FOOTCANDLES ON HORIZONTAL WORK SURFACE



Catalog #	Height	* Beam Width	Footcandles			
			A	B	C	D
UPS09	15"	20.5	17.7	78.3	57.6	58.4
UPS14	15"	22.0	27.4	113.8	85.9	84.6
UPS22	15"	27.5	35.0	143.8	113.0	104.6
UPS30	15"	33.0	39.4	155.0	124.0	111.0
UPS40	15"	43.0	51.9	197.0	167.7	145.5

\* Beam width defined as 50% of maximum footcandles

Fixture mounted at front lip of cabinet

Rear wall reflectance 50%

Counter Surface Reflectance 20%

# UNDERCABINET LIGHTING

Pro - Series SoftTask™ LED

3000K, DIMMABLE

## UPS09, UPS14, UPS22, UPS30 AND UPS40

### DIMMER COMPATIBILITY

Dimmable with the use of most forward and reverse phase dimmers. Dimming range of 100% down to 5% or lower with a minimum load of one fixture; both dimming range and maximum rated load may vary depending on dimmer model.

See maximum load calculations below to identify max number of luminaires per dimmer.

#### Forward Phase

##### (Incandescent and Magnetic Low Voltage)

Example: Fixture Rating = 13W

Dimmer Rating = 600W

Equivalent Incandescent Load (EIL) = 50%

$(600W / 13W) \times 0.5 = 23$  Fixtures per Dimmer

#### Reverse Phase

##### (Electronic Low Voltage)

Example: Fixture Rating = 13W

Dimmer Rating = 600W

Equivalent Incandescent Load (EIL) = 75%

$(600W / 13W) \times 0.75 = 34$  Fixtures per Dimmer

Forward Phase				
Manuf.	Product Family	Series	Type	Min. Light (%)
Lutron	Glyder	GLV	MLV	15
Lutron	Nova T	NTLV	MLV	15
Lutron	Diva	DVLV	MLV	20
Lutron	Ceana	CNLV	MLV	20
Lutron	Skylark	SLV	MLV	16
Lutron	Diva	DVCL	INC	5
Lutron	Ariadni	AYCL	INC	5
Lutron	Toggler	TGCL	INC	5
Lutron	Lumea	LGCL	INC	5
Lutron	Skylark			
Lutron	Contour	CTCL	INC	5
Lutron	RadioRA 2	RRD-10ND	INC	6
Leviton	SureSlide	6633*	INC	5
Leviton	SureSlide	6613*	MLV	10

\* Recommended dimmers

Reverse Phase				
Manuf.	Product Family	Series	Type	Min. Light (%)
Lutron	Maestro	MAELV*	ELV	20
Lutron	Faetra	FAELV	ELV	20
Lutron	Spacer	SPSELV	ELV	20
Lutron	Nova T	NTELV*	ELV	20
Lutron	Diva	DVELV*	ELV	15
Lutron	Skylark	SELV	ELV	15

Integrated Control Systems				
Manuf.	Product Family	Series	Type	Min. Light (%)
Lutron	HomeWorks QS	HW-RPM-4U	PHA	20
Lutron	LCP128	LP-RPM-4U*	PHA	20
Lutron	LP	LP-RPM-4U	PHA	20
Sensor Switch®	nLight	nSPSPCD-ELV*	ELV	10
Sensor Switch®	nLight	nSPSPCD-2W	INC	15