



### Product Overview

The Carlton Drop-In Floor Box with Brass Cover combines many of the same features in our existing Floor Box line with the strength, durability and style necessary to accommodate today's residential electrical/telecommunication needs.

The Carlton Drop-In Floor Box is the fastest easiest way for contractors to put a floor socket anywhere they need it! It's designed to accommodate high and low voltage applications and comes complete with everything needed for installation - Floor box, Brass Cover, hole saw, wired receptacle, two-hole low voltage plate, blank plate, mounting screws and Marrettes.

*Note: The Drop-In Floor Box is available with or without a hole saw.*

### Features

- Single hole installation
- Fast, easy installation
- Solid brass cover has a light lacquer finish to resist wear - Ideal for high traffic areas
- Accommodates high and low voltage applications
- Includes single gang grounded receptacle, low voltage telephone/cable plate (data jacks not included) and blank plate for custom installations
- Available with or without a hole saw
- 11.8 inch cubic capacity
- For wood floor installations
- Ideal for residential and home offices
- Eliminates the need for extension cords
- Superior aesthetics - Ideal for home offices and entertainment rooms
- C-UL-US Listed floor box
- 2.25" installation hole diameter



## Installation



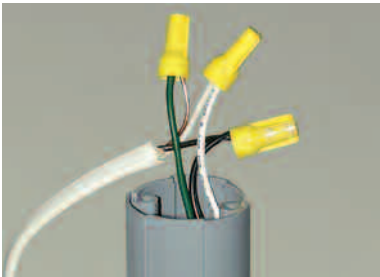
1. Cut 2-3/8" hole through carpeting before using hole saw.



2. Drill hole in floor using hole saw.



3. Pull cable through floor.



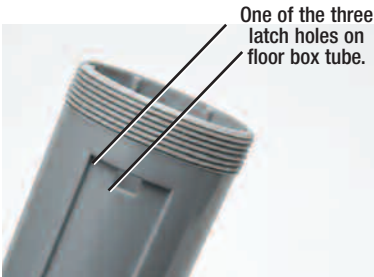
4. Connect receptacle wires to cable. Be sure to match wire color(s).



5. Secure wire clamp on bottom of tube.



6. Brass cover snaps into place. Use a small screwdriver to pry open brass cover to plug in appliance.

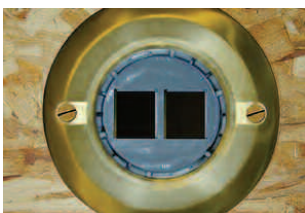


7. Align the three latches on the low voltage plate with the three latch holes in the round floor box tube.



8. Remove receptacle by pressing three tabs located on side of tube.

## Installed



## Specifications

Cat. No.	Cover	Description	Std Ctn Qty	Std Ctn Wt. (lb)
<b>E971FBDI-2</b>	Brass	Drop-In Floor Box with Hole Saw	5	6.5
<b>E971FBDIB-2</b>	Brass	Drop-In Floor Box without Hole Saw	20	17.6

### Product Overview

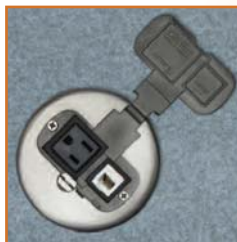
The Carlton Residential Slab Floor Box makes installing floor outlets in concrete slabs faster and easier. The box/extension sleeve is designed to be saw-cut to accommodate any concrete floor thickness up to six inches with no leveling required. It features a divider for dual voltage service and comes with a mud cap to keep out cement during the pour.

The cover has a single hinged door that lies flat when open and accommodates a single electrical outlet (provided) and a low voltage port (data jack not included).

It has a light lacquer finish for extra strength and durability in high traffic areas and is UL scrub water tested.

### Features

- Dual service divider (included) to allow dual service in one box.
- Saw-cut to finished concrete pour. No leveling required.
- Single receptacle chamber: 17.25 cu.in. Data jack chamber: 15.06 cu. in. for easier wiring. (Cubic inches based on 6" box/sleeve depth).
- Cover options include: Brass and Stainless Steel.
- Pre-assembled Solid brass cover for superior aesthetics and durability. Single electrical receptacle included. Data jack NOT included.
- C-UL-US Listed
- UL 514C scrub water tested.



Data Jack not included



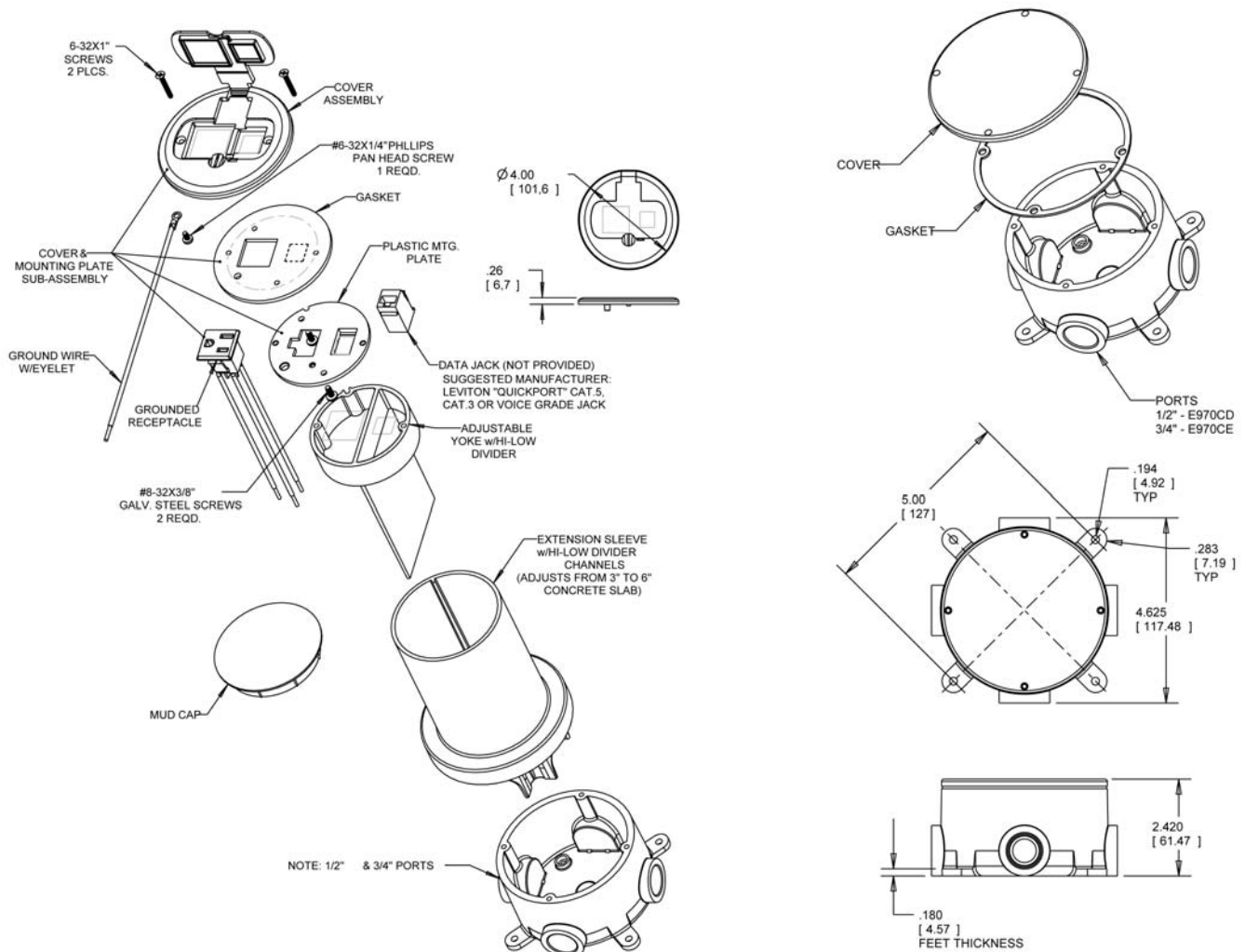
# Residential Slab Floor Box Assembly

# Carlton®



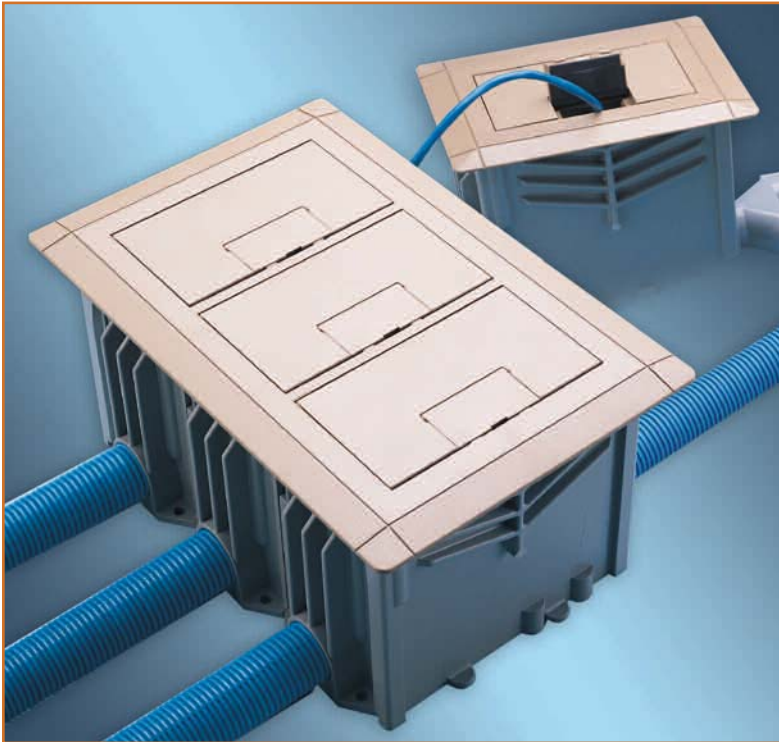
## Specifications

Catalogue Number	Description	Std Carton Qty	Std Carton Wt. (lb)
<b>Boxes</b>			
E970CDX	Box with 1/2" Hubs	24	12.0
E970CEX	Box with 3/4" Hubs	24	11.0
<b>Extension Sleeve</b>			
E970CES	Extension Sleeve with Mud Cap	24	20.0
<b>Covers</b>			
E970CEC	Brass Cover Assembly	24	28.0
E970CECS	Stainless Steel Cover Assembly	24	26.0



Single Receptacle (Larger Chamber)			Data Jack (Smaller Chamber)		
Depth (in.)	Material Fill (ml)	Volume (cu. in.)	Depth (in.)	Material Fill (ml)	Volume (cu. in.)
3	133	8.10	3	93	5.67
4	182	11.09	4	145	8.84
5	216	13.17	5	200	12.19
6	283	17.25	6	247	15.06

### 1-, 2- and 3-Gang



*Carlton® Rectangular Floor Box Systems – two-way, data and communications plus easy double or triple ganging, too.*

Two-in-one, data and communications capability cuts installation time and cost even more, while simple two- and three-gang modularity gives you the flexibility, installation ease and cost-savings no other non-metallic boxes can match.

The covers attach without the use of fasteners, providing a professional, clean installation as well as preserving the aesthetic life of the product. Take a closer look at all our rectangular floor box systems offer you.

### Features

- Covers require no adjusting collar. Two screws assure a flush, secure installation.
- Non-metallic PVC construction, watertight gasket and corrosion-resistant hardware assure long life and reliable performance even in harsh and/or corrosive environments.
- One consistent box depth simplifies ordering time and reduces inventory.
- Saves time and money on installations with simple saw cut to floor level.
- Concrete tight and suitable for any on grade/ below grade application; concrete or wood sub-floor construction approved.
- Convenient cubic inch capacity markings on inside allow for easy inspection.
- PVC molded hubs and reducer plugs included.
- Accepts 1/2", 3/4" and 1" conduit tubing or raceway.
- Rectangular sides are drillable.
- For tile and carpet applications.
- Cover options include solid brass, stainless steel and non-metallic (brown, slate and caramel).
- UL scrub water tested, approved for all types of finish flooring.



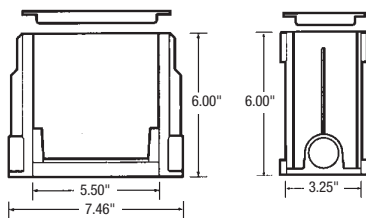
## Installation

With our rectangular boxes, one SKU is all you ever need. Simply remove appropriate sides and slide boxes together to create two- or three-gang boxes for on-the-job flexibility no competitor offers.



## Specifications

### Rectangular Floor Box



Cat. No.	Material	Size	Internal Volume (cu. in.)	Min. Concrete Depth	Hubs	Reducer Plugs	Std Ctn Qty	Std Ctn Wt. lb
<b>E976RFB</b>	PVC	1 Gang	9.74 (16.8 per inch of depth)	3-1/2	(2) 1"	(2) 1" x 3/4" (2) 3/4" x 1/2"	3	6.92

### Activation Kit



Activation kit provides components to accommodate all data and communications devices plus a divider.

Cat. No.	Material	Std Ctn Qty	Std Ctn Wt. lb
<b>E976AK2</b>	PVC	3	2.47

### 1-, 2- and 3-Gang Non-Metallic



On-the-job flexibility extends to our rectangular box covers. Each one-, two or three-gang cover is suitable for any wiring application and can be used with any floor surface. Non-metallic covers are even field reversible for tile or carpet. Double door feature allows easy access to the device and helps keep stray cords organized.

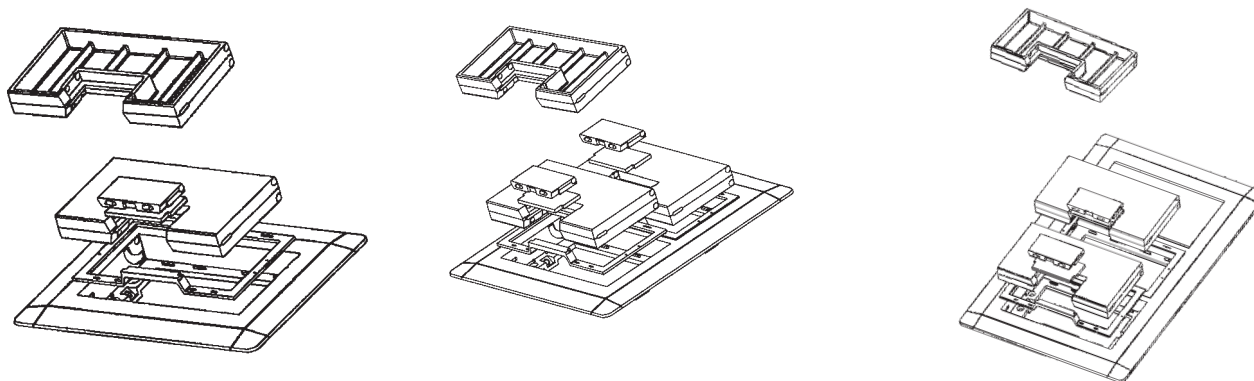


Carlton Rectangular Floor box covers do not require a separate carpet flange. The carpet flange is part of the cover and may be removed for tile application.

### Features

- High impact resistant thermoplastic
- Field reversible for tile or carpet
- Gasketed for a watertight seal
- Double door design
- For tile and carpet applications
- UL scrub water tested

### Specifications



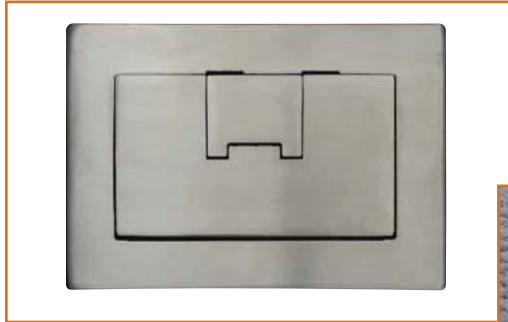
Cat. No.	Size	Color	Carpet Flange	Dimensions (W x L) (in.)	Std Ctn Qty	Std Ctn Wt. (lb)
E9761B	One-Gang	Brown	Included	7.13 x 5.00	3	1.7
E9762B	Two-Gang	Brown	Included	7.13 x 8.25	9	8.5
E9763B	Three-Gang	Brown	Included	7.13 x 11.50	6	7.5
E9761C	One-Gang	Caramel	Included	7.13 x 5.00	3	1.7
E9762C	Two-Gang	Caramel	Included	7.13 x 8.25	9	8.5
E9763C	Three-Gang	Caramel	Included	7.13 x 11.50	6	7.5
E9761S	One-Gang	Slate	Included	7.13 x 5.00	3	1.7
E9762S	Two-Gang	Slate	Included	7.13 x 8.25	9	8.5
E9763S	Three-Gang	Slate	Included	7.13 x 11.50	6	7.5

# Rectangular Floor Box Covers Brass and Stainless Steel

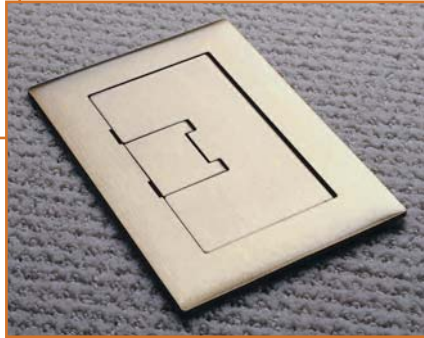
# Carlton®



## 1-, 2- and 3-Gang Solid Brass & Stainless Steel



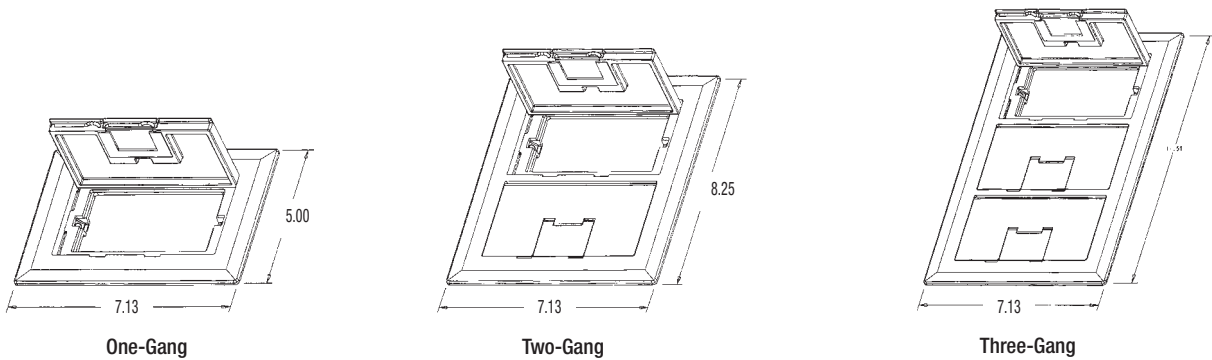
Carlton® Brass and Stainless Steel rectangular Floor Box Covers add a classic touch to all floor box installations and are particularly suited for use in high-traffic areas because of the resistance to wear. The gasket gives a watertight seal and the light lacquer finish provides extra protection.



### Features

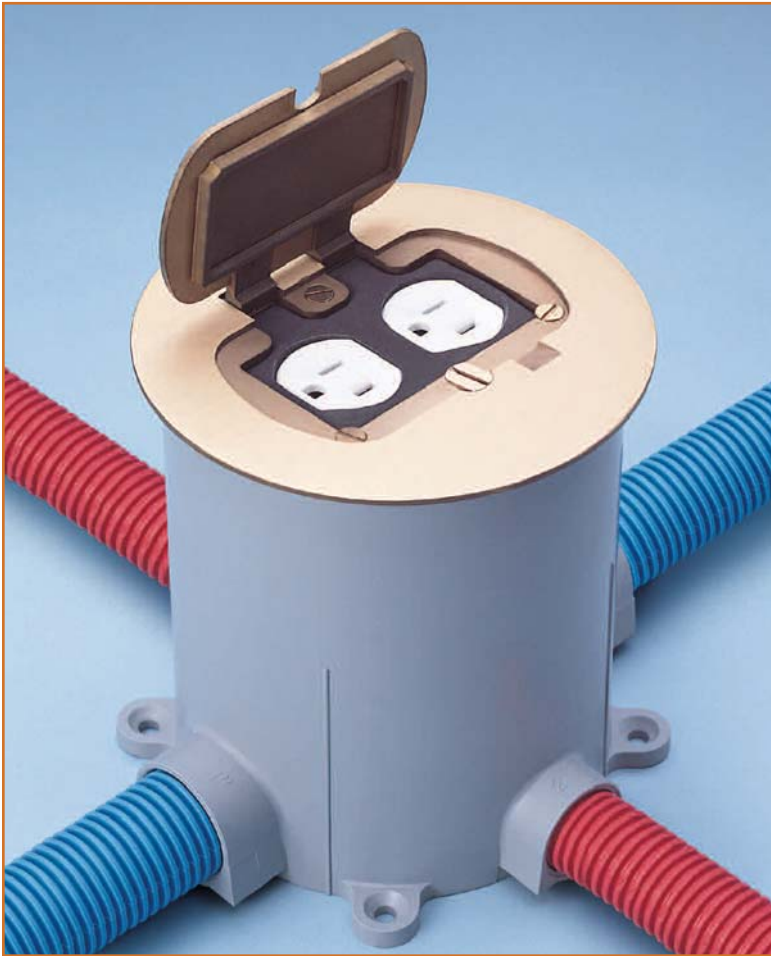
- Rugged construction.
- Coated with a light lacquer finish for extra protection.
- Covers include a cord door.
- Gasketed for watertight applications.
- For tile and carpet applications.
- UL scrub water tested.

### Specifications



Cat. No.	Size	Material	Std Ctn Qty	Std Ctn Wt. (lb)
E9761BR	One-Gang	Brass	3	6.8
E9762BR	Two-Gang	Brass	3	9.9
E9763BR	Three-Gang	Brass	3	12.1
E9761SS	One-Gang	Stainless Steel	3	7.4
E9762SS	Two-Gang	Stainless Steel	3	11.6
E9763SS	Three-Gang	Stainless Steel	3	17.2
Cat. No.	Description		Std Ctn Qty	Std Ctn Wt. (lb)
E976AK2	Rectangular Floor Box Activation Kit		3	2.47





*Carlton® Round Floor Box Systems – three-way versatility for power, data and communications.*

Carlton round floor boxes give you the same cost-saving advantages over metal boxes as our rectangular boxes. By letting you combine power, data and communications in the same box, you can dramatically reduce your installation time and cost compared to other non-metallic boxes.

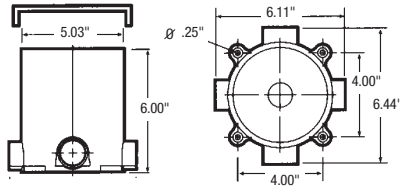
In addition, multi-use covers mean fewer SKUs to deal with and greater jobsite flexibility to increase your savings further. Take a closer look at all their advantages for yourself.

### Features

---

- Non-metallic PVC construction, watertight gasket and corrosion-resistant hardware assure long life and reliable performance even in harsh and/or corrosive environments.
- Covers are available for a variety of applications.
- The same box depth simplifies ordering and reduces inventory.
- For tile and carpet applications.
- Cover options include: Brass, Stainless Steel, and Non-metallic (Ivory, Caramel, Taupe, Slate and Brown).
- Concrete tight and suitable for any on grade/below grade application; concrete or wood floor construction approved.
- Y-connector (E972Y) allows you to feed parallel runs of 3/4" conduit or to feed in/out from the same side for increased wiring flexibility and faster installation.
- PVC molded hubs and reducer plugs included.
- Accepts 1/2", 3/4" and 1" conduit tubing or raceway.
- UL scrub water tested, approved for all types of finish flooring.

## Specifications



Carlton Round Floor Boxes allow for various thickness of concrete pours. Trim out is easy – just use a handsaw to cut off box at desired height to accommodate carpet, tile, or other flooring. Carlton leveling ring guarantees a level top every time, even if the box is tipped slightly during the pouring process.

Cat. No.	Internal Volume (cu. in.)	Min. Concrete Depth (in.)	Hubs	Reducer Plugs	Std Ctn Qty	Std Ctn Wt. lb
<b>E971FB</b>	90.0 (15.5 per inch of depth)	3-1/2	(2) 1" and (2) 3/4"	(2) 1" x 3/4" and (2) 3/4" x 1/2"	10	15.6

## Accessories

### Multi-Service Divider Kit



Multi-service divider kit for separate power, data and communications compartments provides unbeatable flexibility and money-saving installation speed. For use with non-metallic boxes only.

Cat. No.	Std Ctn Qty	Std Ctn Wt. lb
<b>E973K</b>	10	3

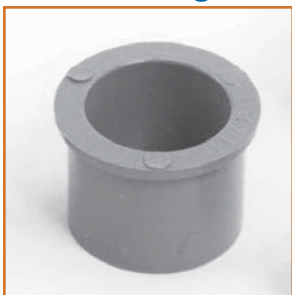
### 3/4" Y Fitting



The 3/4" Y Fitting provides for in and out service from a single 1" port and allows for two 3/4" parallel conduit runs to adapt into a single conduit body port.

Cat. No.	Std Ctn Qty	Std Ctn Wt. lb
<b>E972Y</b>	10	2.1

### Reducer Plugs



Cat. No.	Size (in.)	Std Ctn Qty	Std Ctn Wt. lb
<b>E971C</b>	3/4 x 1/2	100	2.1
<b>E971D</b>	1 x 3/4	100	3.2

### Features

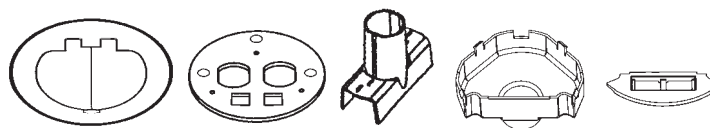


- Screws concealed under doors
- Rugged construction
- Coated with a light lacquer finish for extra protection
- Resistance to wear – suited for high traffic areas
- Gasketed for watertight applications
- Available in four styles – Single Door, Two Door, NPS Opening and Two Door Dual Service
- For tile and carpet applications
- UL scrub water tested



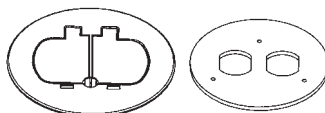
### Two Door Dual Service

(Divider Kit included)



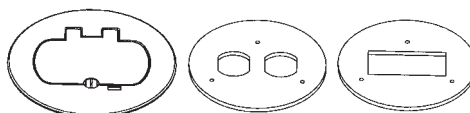
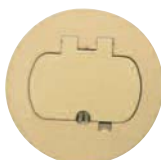
Cat. No.	Cover	Devices	Std Ctn Qty	Std Ctn Wt. (lb)
<b>E97BR2D</b>	Brass	Duplex and Two Data Ports	5	9.2
<b>E97SS2D</b>	Stainless Steel	Duplex and Two Data Ports	5	9.1

### Two Door



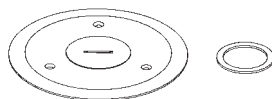
Cat. No.	Cover	Devices	Std Ctn Qty	Std Ctn Wt. (lb)
<b>E97BR2</b>	Brass	Duplex	5	7
<b>E97SS2</b>	Stainless Steel	Duplex	5	7.7

### Single Door



Cat. No.	Cover	Devices	Std Ctn Qty	Std Ctn Wt. (lb)
<b>E97BR</b>	Brass	GFCI and Duplex	5	7
<b>E97SS</b>	Stainless Steel	GFCI and Duplex	5	7.9

### NPS Opening



Cat. No.	Cover	Devices	Std Ctn Qty	Std Ctn Wt. (lb)
<b>E97BRG</b>	Brass	1-1/4" Outlet and Single Receptacle	5	7.5
<b>E97SSG</b>	Stainless Steel	1-1/4" Outlet and Single Receptacle	5	8.1

### Metal Cover Adapter Ring



Cat. No.	Devices	Std Ctn Qty	Std Ctn Wt. (lb)
<b>E97ABR2</b>	One-Piece Metal Cover Adapter	10	3.3

NOTE: Carlton metal cover adapter ring (E97ABR2) is required with these covers (sold separately)

## Installation Instructions

### Carlton Floor Box E971FB, E97BR, E97BR2, E97BRG and E97BR2D

When used with Carlton Brass Covers

**Note:** Carlton metal cover adapter ring E97ABR2 is required for installation.

1. Remove poly cap from Floor Box (E971FB). Determine type and thickness of floor covering to be used. Cover E97BR may be installed in carpeted, tiled or other floor covering. Scribe a line around box, 1/8" below desired final installed height of brass covers's top surface.

2. Using a saw, cut off box at scribed line.

**Note:** Remember to check height of finish floor covering to be installed.

3. Attach receptacle, gasket backing plate, gasket and brass floor plate to adapter ring E97ABR2 following detail instructions for brass floor plate.

4. Apply PVC cement to metal cover adapter ring O.D. and to top inside 1/2" of floor box.

5. Press metal cover and adapter assembly into Floor Box. Making sure cover assembly is at desired final installed height.

**Note:** it is necessary to ground metal cover using designated grounding lug.

