



Technical Data

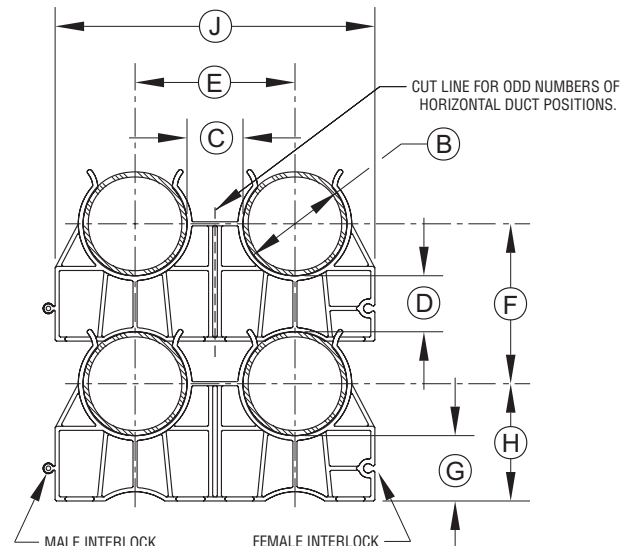
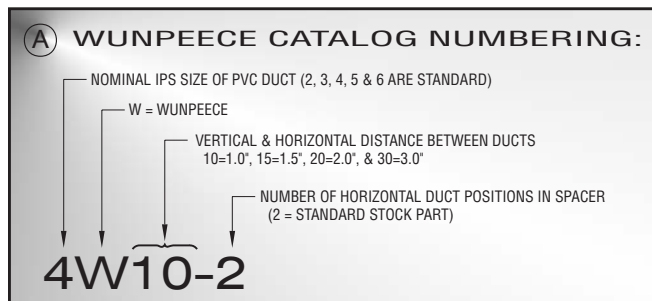
WUNPEECE SPACER DIMENSIONS

| | (A) WUNPEECE CATALOG NO. | IPS* DUCT SIZE | (B) DUCT OD | NUMBER OF HORIZONTAL DUCT POSITIONS *** | DUCT TO DUCT SEPARATION | | CENTER TO CENTER SEPARATION | | (G) BOTTOM OF TRENCH TO BOTTOM OF BOTTOM DUCT | (H) BOTTOM OF TRENCH TO CENTER OF BOTTOM DUCT | (J) BASIC O.A.L. |
|-------------------|-----------------------------|---------------------------|---------------------------|---|-------------------------|-----------------|-----------------------------|-----------------|--|--|---------------------|
| | | | | | (C) HORIZONTAL | (D) VERTICAL | (E) HORIZONTAL | (F) VERTICAL | | | |
| | | | | | STANDARD SPACERS | 2W20-2 | 2" | 2.375 | | | |
| 2W30-2 | 2" | 2.375 | 2 | 3.000 | | 5.375 | | 3.500 | 4.688 | 10.750 | |
| 3W20-2 | 3" | 3.500 | 2 | 2.000 | | 5.500 | | 3.000 | 4.750 | 11.000 | |
| 3W30-2 | 3" | 3.500 | 2 | 3.000 | | 6.500 | | 3.500 | 5.250 | 13.000 | |
| 4W10-2 | 4"IPS* | 4.500 | 2 | .850 | | 1.000 | 5.350 | 5.500 | 1.750 | 4.000 | 10.700 |
| | 4"TEL** | 4.350 | 2 | 1.000 | | | | 5.350 | | | |
| 4W15-2 | 4" | 4.500 | 2 | 1.500 | | 6.000 | | 3.000 | 5.250 | 12.000 | |
| 4W15-3 | 4" | 4.500 | 3 | 1.500 | | 6.000 | | 3.000 | 5.250 | 18.000 | |
| 4W20-2 | 4" | 4.500 | 2 | 2.000 | | 6.500 | | 3.000 | 5.250 | 13.000 | |
| 4W30-2 | 4" | 4.500 | 2 | 3.000 | | 7.500 | | 3.500 | 5.750 | 15.000 | |
| 5W15-2 | 5" | 5.563 | 2 | 1.500 | | 7.063 | | 3.000 | 5.781 | 14.125 | |
| 5W20-2 | 5" | 5.563 | 2 | 2.000 | | 7.563 | | 3.000 | 5.781 | 15.125 | |
| 5W30-2 | 5" | 5.563 | 2 | 3.000 | | 8.563 | | 3.500 | 6.281 | 17.125 | |
| 6W20-2 | 6" | 6.625 | 2 | 2.000 | | 8.625 | | 3.000 | 6.312 | 17.250 | |
| 6W20-3 | 6" | 6.625 | 3 | 2.000 | | 8.625 | | 3.000 | 6.312 | 25.875 | |
| 6W30-2 | 6" | 6.625 | 2 | 3.000 | | 9.625 | | 3.500 | 6.812 | 19.250 | |
| 6W30-3 | 6" | 6.625 | 3 | 3.000 | | 9.625 | | 3.500 | 6.812 | 28.875 | |
| 8W20-2 | 8" | 8.625 | 2 | 2.000 | | 10.625 | | 3.000 | 7.312 | 21.250 | |
| SPECIALTY SPACERS | 2DB08-2 | 2" | SEE DETAIL No.1 ON PAGE 2 | | | | | | | | |
| | 2DB08-4 | 2" | SEE DETAIL No.2 ON PAGE 2 | | | | | | | | |
| | 64W20-2 | 6" & 4" | SEE DETAIL No.3 ON PAGE 2 | | | | | | | | |
| | 646W20-3 | 6" & 4" | SEE DETAIL No.4 ON PAGE 2 | | | | | | | | |
| | 5W64-2b | 5" & 2" | SEE DETAIL No.5 ON PAGE 2 | | | | | | | | |
| | 5W64-2i | 5" & 2" | SEE DETAIL No.5 ON PAGE 2 | | | | | | | | |
| | 6W54-2b | 6" & 2" | SEE DETAIL No.6 ON PAGE 2 | | | | | | | | |
| | 6W54-2i | 6" & 2" | SEE DETAIL No.6 ON PAGE 2 | | | | | | | | |
| 6264W3015-3 | 6", 4" & 2" | SEE DETAIL No.7 ON PAGE 2 | | | | | | | | | |

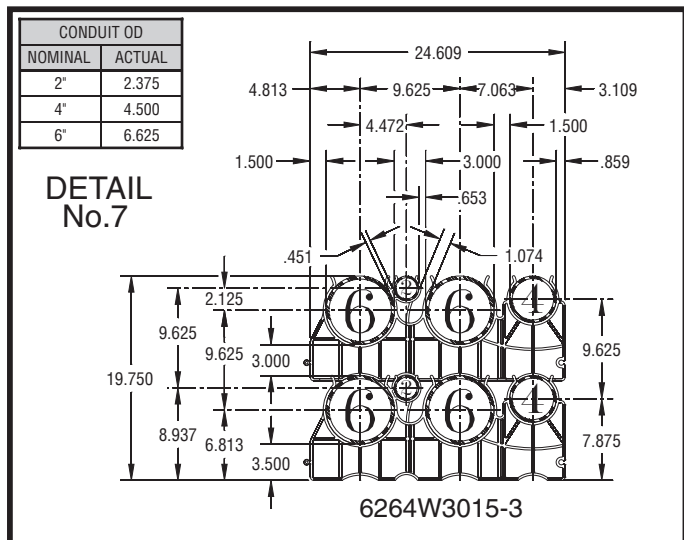
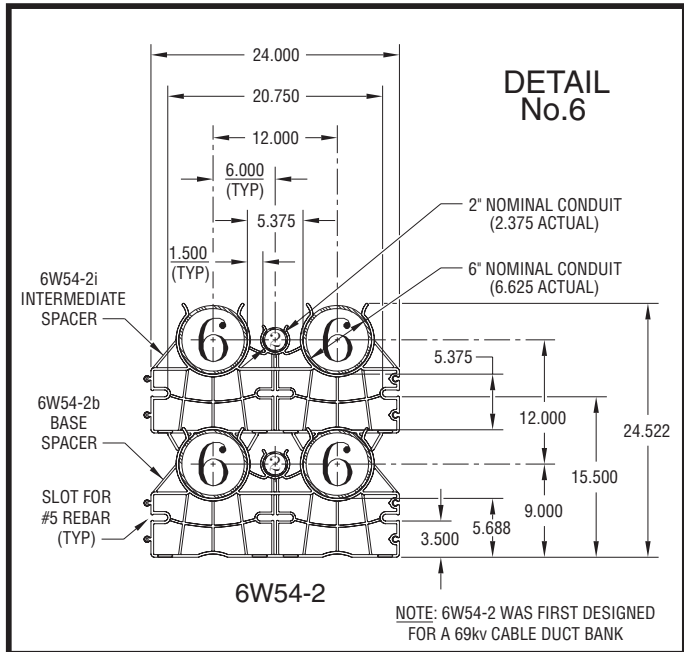
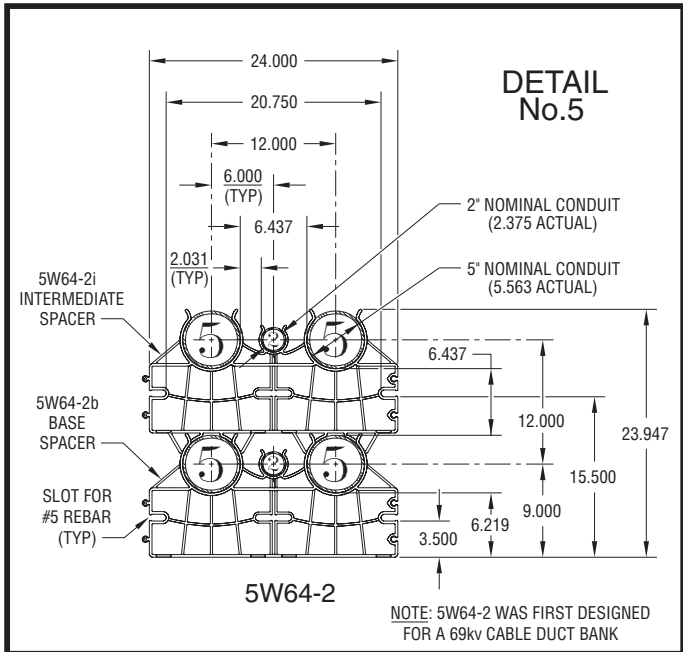
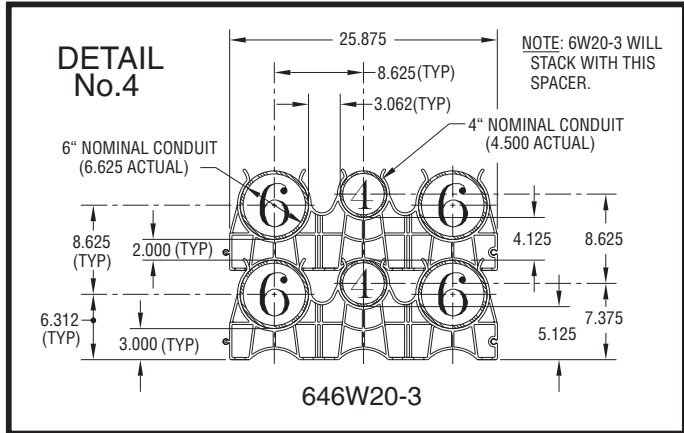
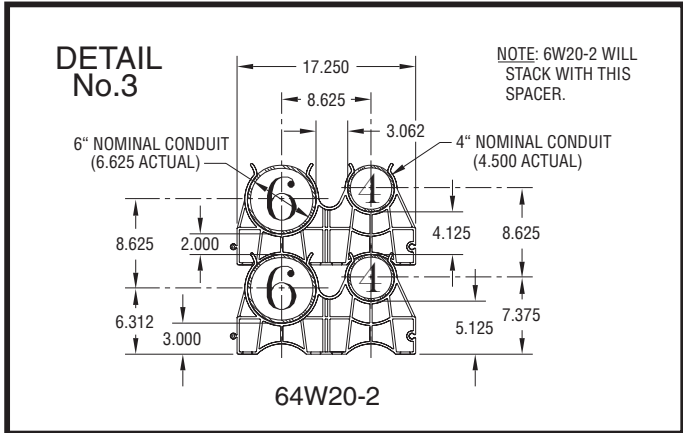
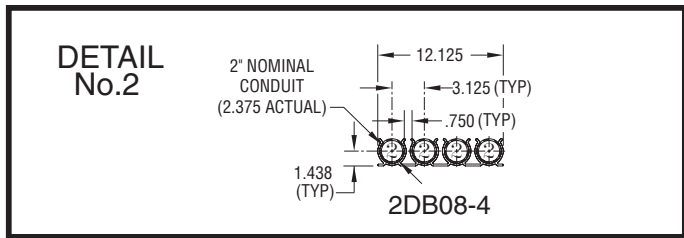
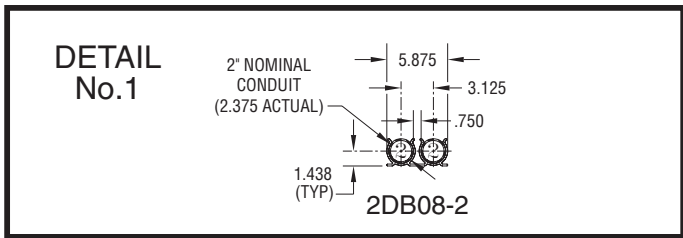
*IPS IS THE NOMINAL SIZE OF PVC DUCT & CONDUIT PER NEMA TC 2, TC 6 & TC 8

**TEL IS THE NOMINAL SIZE OF PVC TYPE B TELEPHONE DUCT PER NEMA TC 10

***USING "MOLDED-IN" INTERLOCKS, WUNPEECE SPACERS MAY BE FIELD ASSEMBLED FOR ANY NUMBER OF HORIZONTAL POSITIONS.



WUNPEECE SPACER DIMENSIONS (CONTINUED)



UNDERGROUND DEVICES
INCORPORATED

3304 COMMERCIAL AVENUE • NORTHBROOK, ILLINOIS 60062
Phone: (847) 205-9000 • Fax: (847) 205-9004
Website: <http://www.udevices.com>