



PRFS2

### FS/FD Series Specifications

#### APPLICATION

PLASTI-BOND REDH<sub>2</sub>OT device boxes and covers are available in several configurations and may be used in coated conduit systems to accommodate wiring devices, to serve as pull boxes for conductors, or to allow for splices and taps in conductors. Covers are available separately. Electrical continuity of the conduit system is maintained across assembled joints.

#### FEATURES

- 40 mil gray PVC exterior coating
- 2 mil red urethane interior coating
- 3 trade sizes from 1/2" through 1"
- Available in Standard (PRFS) and Deep (PRFD) Styles
- Internal green grounding screw is standard
- Sealing sleeves on all conduit openings
- Flat molded PVC gasket mates with all standard covers

#### COMPLIANCES

- UL Listed Standard 514B
- CSA Standard: C22.2 No. 18



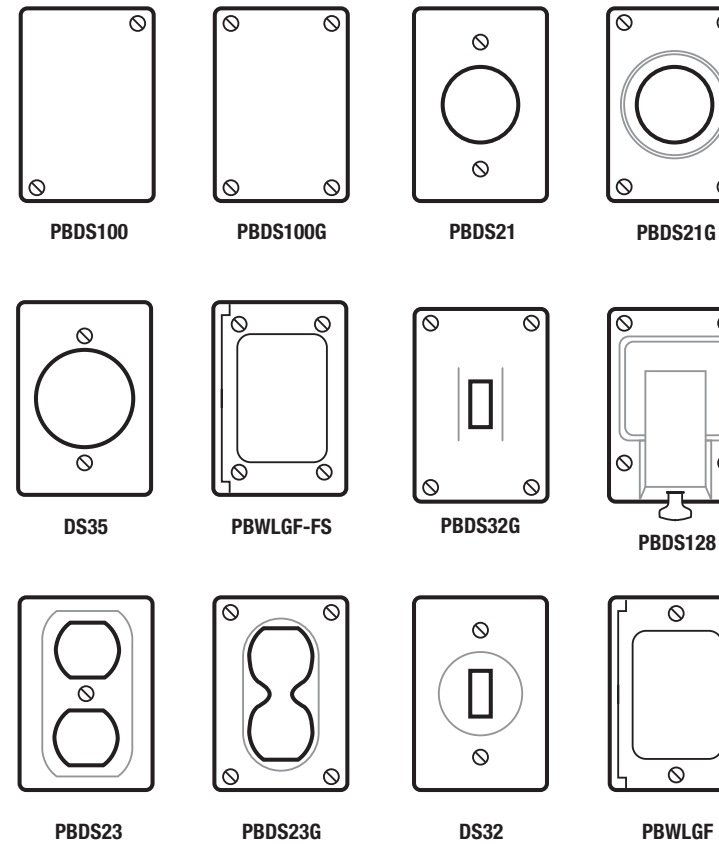
### Four "Extra" Touches in the Battle Against Corrosion.

- 1.) The special PVC formulation for Plasti-Bond REDH<sub>2</sub>OT includes Ultraviolet Light (UV) inhibitors. Laboratory tests, exposure testing, and actual service all support the fact that we have never had a UV-related failure of PVC in more than 30 years!
- 2.) Plasti-Bond REDH<sub>2</sub>OT's PVC sealing sleeves are sized so they fit tightly over the coated conduit when assembled. This keeps corrosive elements away from the threaded joints.
- 3.) All Form 8 conduit cover screws are made from stainless steel with a plastic encapsulated head...yet another way of providing maximum corrosion protection by providing a seal around the screw opening.
- 4.) Plasti-Bond REDH<sub>2</sub>OT fittings provide gasket seals to keep corrosives from getting into the conduit system through joints and openings, protecting the interior of the system from corrosion.

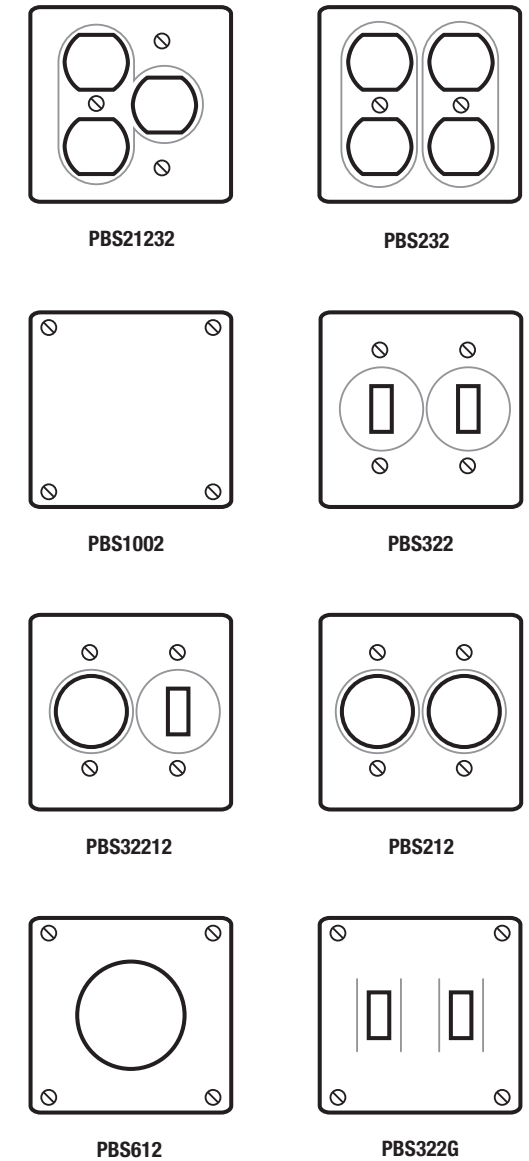
APPROVAL STAMP

FS/FD Series Technical Data and Covers continued on following pages...

### FS/FD Single Gang Cover Configurations



### FS/FD 2 Gang Cover Configurations



### FERROUS COVERS - SINGLE GANG

CATALOG #	Description	Nominal Weight
PBDS32	FS/FD 1 GANG COVER	0.4
PBDS23G	FS/FD 1 GANG COVER	0.4
PBDS35	FS/FD 1 GANG COVER	0.4
PBDS21	FS/FD 1 GANG COVER	0.3
PBDS21G	FS/FD 1 GANG COVER	0.3
PBDS23	FS/FD 1 GANG COVER	0.3
PBDS32G	FS/FD 1 GANG COVER	0.2

### ALUMINUM COVERS

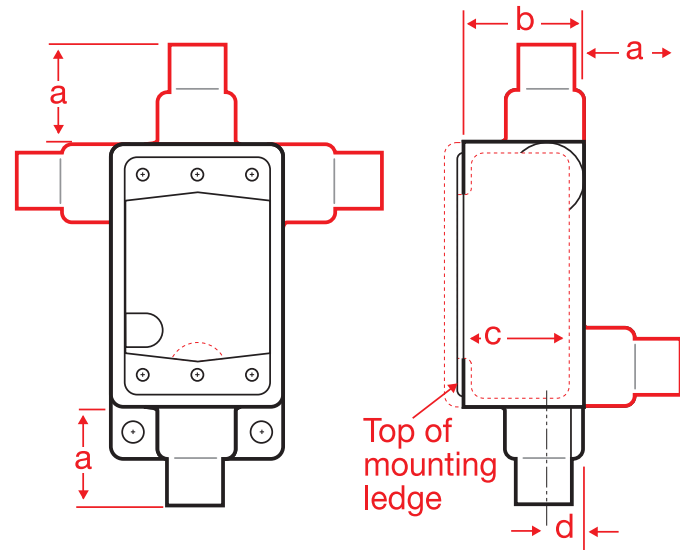
CATALOG #	Description	Nominal Weight
PBDS23SA	FS/FD 1 GANG COVER AL	0.1
PBDS100	FS/FD 1 GANG AL COVER	0.1
PBDS128	FS/FD 1 GANG AL COVER	0.5
PBDS100G	FS/FD 1 GANG AL COVER	0.3
PRWLRD1	FS/FD 1 GANG AL DUPLEX COVER	0.4
PRWLRS1	FS/FD 1 GANG AL COVER	0.3
PRWLRS2	FS/FD 1 GANG AL COVER	0.3
PBS1002G	FS/FD 2 GANG COVER BLANK AL	0.5
PBWLG-FS	FS/FD COVER FOR GFCI RECEPTACLE	0.5
PBWLG-F	FS/FD COVER FOR GFCI RECEPTACLE	0.5

### FERROUS COVERS - TWO GANG

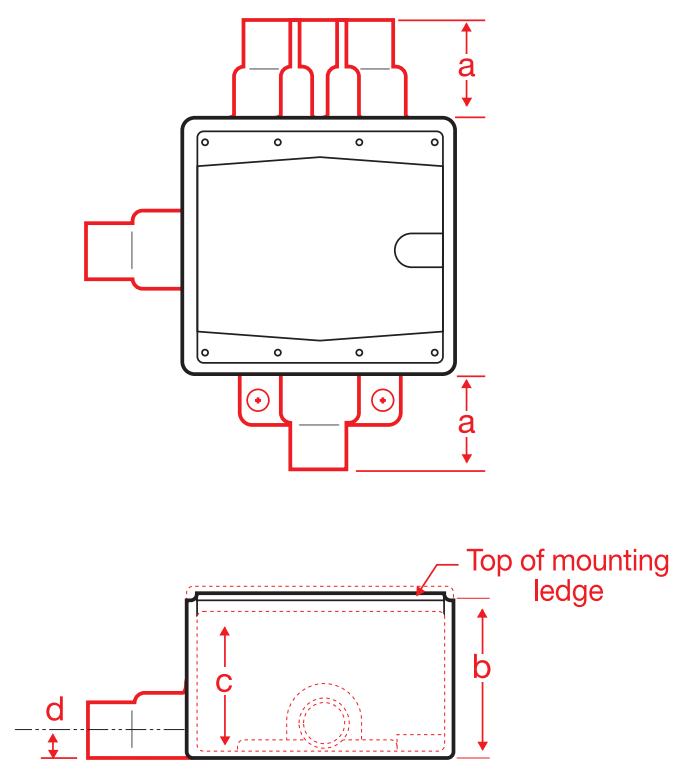
CATALOG #	Description	Nominal Weight
PBS1002	FS/FD 2 GANG COVER BLANK	1.0
PBS1002G	FS/FD 2 GANG COVER BLANK	1.0
PBS21232	FS/FD 2 GANG COVER	1.2
PBS232	FS/FD 2 GANG COVER	1.2
PBS322	FS/FD 2 GANG COVER	1.0
PBS32212	FS/FD 2 GANG COVER	1.2
PBS322	FS/FD 2 GANG COVER	1.0
PBS212	FS/FD 2 GANG COVER	2.0
PBS612	FS/FD 2 GANG COVER	1.2
PBS322G	FS/FD 2 GANG COVER	1.2

### FS/FD Series Dimensions

FS/FD Single Gang Dimensional Drawings

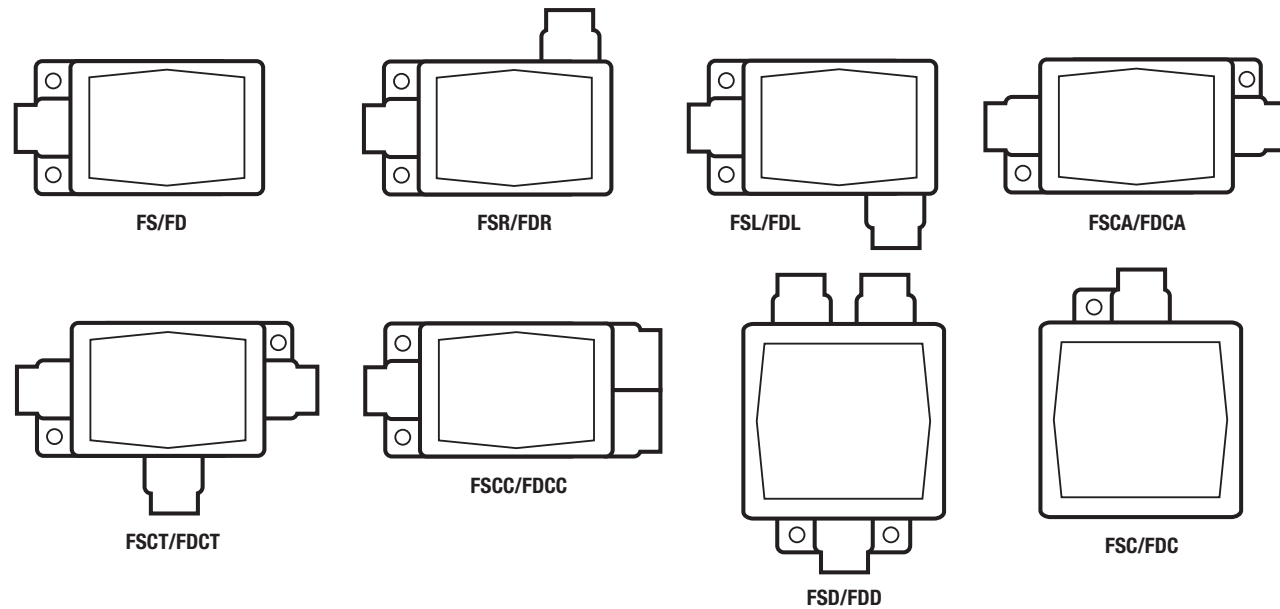


FS/FD 2 Gang Dimensional Drawings



### FS/FD Series Configurations

All configurations offered in both 'FS' or 'FD' box depths. FS prefix: Shallow configuration, FD prefix: Deep configuration



### FS/FD Series Technical Data

#### FS SERIES

Pipe Size	FERROUS CATALOG #	Nominal Weight	A	B	C	D	ALUMINUM CATALOG #
1/2"	PRFS1	3.2	1.38	1.92	1.69	0.67	PRFS1SA
1/2"	PRFS12	3.3	1.38	1.92	1.69	0.67	PRFS12SA
3/4"	PRFS2	3.3	1.63	1.92	1.69	0.79	PRFS2SA
3/4"	PRFS22	3.4	1.63	1.92	1.69	0.79	PRFS22SA
1"	PRFS3	3.5	2.00	1.92	1.69	0.92	-
1"	PRFS32	3.6	2.00	1.92	1.69	0.92	-

#### FD SERIES

Pipe Size	FERROUS CATALOG #	Nominal Weight	A	B	C	D	ALUMINUM CATALOG #
1/2"	PRFD1	2.7	1.38	1.92	2.69	.67	PRFD1SA
3/4"	PRFD2	2.8	1.63	1.92	2.69	0.79	PRFD2SA
1"	PRFD3	3.1	2.00	1.92	2.69	0.92	PRFD3SA

#### FDL SERIES

Pipe Size	CATALOG #	Nominal Weight	A	B	C	D
1/2"	PRFDL1	3.1	1.38	1.92	2.69	0.67
3/4"	PRFDL2	3.3	1.63	1.92	2.69	0.79

#### FDR SERIES

Pipe Size	CATALOG #	Nominal Weight	A	B	C	D
1/2"	PRFDR1	3.2	1.38	1.92	2.69	0.67
3/4"	PRFDR2	3.3	1.63	1.92	2.69	0.79

#### FSCA SERIES

Pipe Size	CATALOG #	Nominal Weight	A	B	C	D
1/2"	PRFSCA1	2.5	1.38	1.92	1.69	0.67
3/4"	PRFSCA2	3.5	1.63	1.92	1.69	0.79

#### FSCT SERIES

Pipe Size	CATALOG #	Nominal Weight	A	B	C	D
1/2"	PRFSCT1	2.2	1.38	1.92	1.69	0.67
3/4"	PRFSCT2	2.5	1.63	1.92	1.69	0.79
1"	PRFSCT3	2.8	2.00	1.92	1.69	0.79

#### FSCC SERIES

Pipe Size	CATALOG #	Nominal Weight	A	B	C	D
1/2"	PRFSCC1	2.0	1.38	1.92	1.69	0.67
3/4"	PRFSCC2	2.2	1.63	1.92	1.69	0.79

#### FSC SERIES

Pipe Size	FERROUS CATALOG #	Nominal Weight	A	B	C	D	ALUMINUM CATALOG #
1/2"	PRFSC1	2.2	1.38	1.92	1.69	0.67	PRFSC1SA
1/2"	PRFSC12	3.3	1.38	1.92	1.69	0.67	-
3/4"	PRFSC2	2.4	1.63	1.92	1.69	0.79	PRFSC2SA
3/4"	PRFSC222	3.6	1.63	1.92	1.69	0.79	PRFSC222SA
1"	PRFSC3	2.7	2.00	1.92	1.69	0.92	-
1"	PRFSC32	4.0	2.00	1.92	1.69	0.92	-

#### FDC SERIES

Pipe Size	FERROUS CATALOG #	Nominal Weight	A	B	C	D	ALUMINUM CATALOG #
1/2"	PRFDC1	2.7	1.38	1.92	2.69	0.67	PRFDC1SA
3/4"	PRFDC2	2.8	1.63	1.92	2.69	0.79	PRFDC2SA
1"	PRFDC3	3.1	2.00	1.92	2.69	0.92	PRFDC3SA

#### FSD SERIES

Pipe Size	CATALOG #	Nominal Weight	A	B	C	D
3/4"	PRFSD212	2.5	1.63	1.92	1.69	.79

#### FSL SERIES

Pipe Size	CATALOG #	Nominal Weight	A	B	C	D
1/2"	PRFSL1	2.5	1.38	1.92	1.69	0.67
3/4"	PRFSL2	2.7	1.63	1.92	1.69	0.79

#### FSR SERIES

Pipe Size	CATALOG #	Nominal Weight	A	B	C	D
1/2"	PRFSR1	2.0	1.38	1.92	1.69	0.67
3/4"	PRFSR2	2.2	1.63	1.92	1.69	0.79

#### FDCT SERIES

Pipe Size	CATALOG #	Nominal Weight	A	B	C	D
1/2"	PRFDCT1	3.1	1.38	1.92	2.69	0.67
3/4"	PRFDCT2	3.4	1.63	1.92	2.69	0.79
1"	PRFDCT3	3.9	2.00	1.92	2.69	0.92

APPROVAL STAMP