

Pro-Series Undercabinet Lighting

LED, Fluorescent, Halogen, Xenon and economy undercabinet linear solutions for residential and commercial use



Juno® Pro-Series and Economy Undercabinet Lighting

High-quality design and performance, along with fast, trouble-free installation are the essence of our Pro-Series flagship modular system.

Pro-Series is available in LED, Halogen, Xenon and Fluorescent light sources for virtually any residential and commercial undercabinet and task lighting application.

Basic fluorescent sheet metal luminaires also provide a practical alternative for more budget sensitive installations.



High Quality Construction

All Pro-Series fixtures maintain a slim 1" extruded aluminum profile available in a variety of lengths and four designer finishes to complement any décor. The extrusion is optimally designed to dissipate heat, to both maximize lamp life and minimize the cabinet contact temperature. A reverse-angled tempered glass prism lens* hinges down for relamping and cleaning to provide the optimum mix of safety, simple maintenance, high light transmission and glare control. All these features and more are integrated into an attractive package that will provide years of high-quality, problem-free task lighting.

Light Source Options


Pro-Series LED and Pro-Series Fluorescent models provide cool-to-touch, energy efficient operation, making them ideal for both residential and commercial settings. The Pro-Series Fluorescent creates higher levels of bright task lighting while the Pro-Series LED produces high quality illumination with unprecedented energy savings and a 50,000 hour service life. Both Pro-Series LED and Pro-Series Fluorescent are now available with optional occupancy sensor. Pro-Series Halogen provides crisp, white light that brings out the sparkle in displayed objects and countertops. Xenon lamps have a slightly warmer color rendition that some designers and homeowners prefer when used with warmer color pallets.

* Except SoftTask™ models which utilize a polycarbonate diffuser.

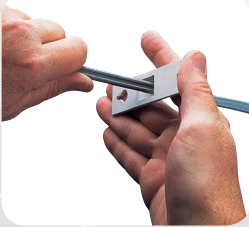
Pro-Series fixtures feature an easy to conceal 1" profile, reverse angled diffuser, bright, uniform light distribution, high quality construction features, and a wide selection of finishes.

Installation


Pro-Series fixtures install in less than five minutes owing to their unique rear-wire access door and captive mounting screws that allow installation without having to open up the wireway or remove the lens. All fixtures include an integral transformer, ballast or driver that allows direct connection to 120-volt supply wires. Additional fixtures in a run simply plug into the first. The Pro-Series installation innovations turn one of the contractor's least favorite fixtures to install into a pleasure.




Pro-Series 5-Minute Direct-Wire Installation



Step 1 Attach supply wires to rear access cover.



Step 2 Connect supply wires to fixture leads using push-in connectors.



Step 3 Mount fixture to cabinet bottom using captive mounting screws

Pro-Series Energy Comparison

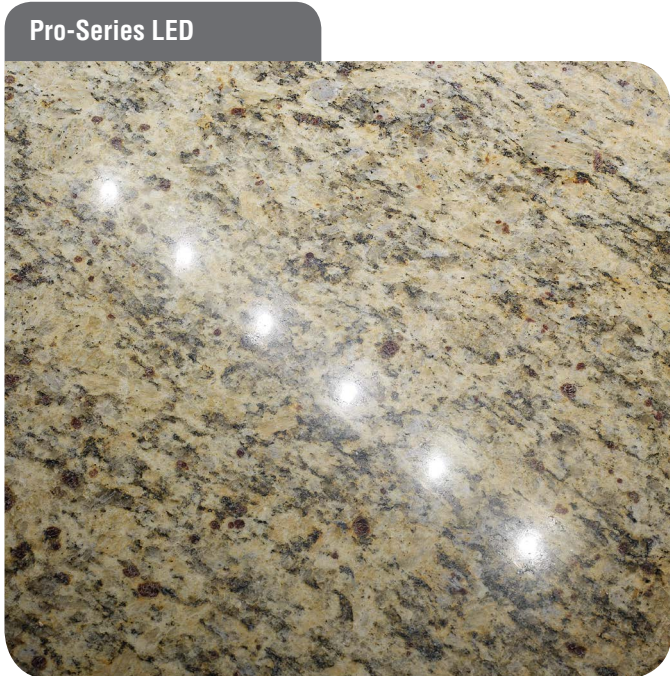
Fixture Length	Pro-Series Halogen/ Pro-Series Xenon	Pro-Series Fluorescent	Pro-Series LED	Pro-Series SoftTask™ LED
9"	20 watts	–	3.2 watts	4.6 watts
14" (12" Fluorescent)	40 watts	8.4 watts	5.6 watts	6.5 watts
22"	60 watts	15.3 watts	8.1 watts	10.6 watts
30" (34" Fluorescent)	80 watts	22.1 watts	10.1 watts	12.5 watts
40"	–	–	–	16.4 watts

Pro-Series LED vs. Pro-Series SoftTask™ LED

Pro-Series LED and Pro-Series SoftTask LED fixtures both provide quality, energy-efficient undercabinet lighting with an easy to conceal 1" profile. They also feature integral drivers, fast and easy installation, warm 3000K CCT with identical wiring, control and finish options. Traditional Pro-Series LED fixtures mimic the light levels and color of halogen, producing multiple points of light on the working plane. For those that prefer more uniform illumination, Pro-Series SoftTask fixtures produce an effect more comparable to fluorescent, free of multiple hot spots and shadows.



Pro-Series SoftTask™ LED mimics the look and light output of Pro-Series Fluorescent.



Pro-Series LED mimics the look and light output of Pro-Series Halogen.



Juno® Pro-Series SoftTask™ LED



Juno Pro-Series SoftTask LED duplicates the light level of Fluorescent undercabinet lighting while consuming up to 45% of the energy. And by virtue of its amazing 50,000 hour life, lamp replacement is a thing of the past...at 4 hours/day you can expect over 34 years of maintenance-free operation!

Accessories



JC3 8IN, JC3 17IN, JC3 26IN – Jumper Cords
3-wire Jumper Cord to electrically join fixtures when spaced apart, turning corners, or spanning cabinet frames.
Finish: BL-Black, WH-Designer White



U6CP – 6' Cord and Plug
3-wire grounded cord and plug accessory for portable plug-in installation.
Finish: BL-Black, WH-Designer White



UDWMOC – Occupancy Sensor Module
Direct wire Passive Infrared (PIR) Occupancy Sensor without on/off rocker switch. 6"L 4-1/2"D x 1"H
Finish: BL-Black, WH-Designer White



UDWMOC (WH, BL) RS – Occupancy Sensor Module
Direct wire Passive Infrared (PIR) Occupancy Sensor with on/off rocker switch. 6"L 4-1/2"D x 1"H
Finish: BL-Black, WH-Designer White



UDWM – Direct Wire Module
Facilitates code-compliant installation of fixture at front edge of cabinet. Includes wiring enclosure and 36" field-shortenable jumper cord that plugs into the right or left side of the fixture. 3"L x 3"D x 1"H
Finish: BL-Black, WH-Designer White



UCONN – 3/8" Miniature Die-Cast Electrical Connector
Accessory for use when loop wiring with non-metallic sheathed cable or BX.

Performance Features

- Utilizes warm-white 3000K LEDs tightly binned to within a 3-step MacAdam Ellipse for industry-leading color consistency, 90CRI minimum
- Approximates the color temperature and illumination levels of Fluorescent using up to 45% less energy
- 22", 30" and 40" fixtures are available with Passive Infrared (PIR) Occupancy Sensor. The PIR sensor can be field adjustable time delay that can be set from 30 seconds to 30 minutes. All additional fixtures connected to the fixture with occupancy sensor will be controlled by the single sensor
- Dimmable with the use of most forward and reverse phase dimmer – see specification sheet.
- No UV or forward projected heat

Construction Features

- Slim 1" extruded aluminum profile
- Polycarbonate diffusing lens provides uniform illumination without hotspots
- Integral state of the art 120-volt constant current electronic driver
- Integral on/off rocker switch standard, available without switch as well
- Choice of Designer White, Brushed Silver, Brushed Bronze or Black finish

Installation Features

- Modular design for maximum flexibility and quick installation allows up to 40 fixtures to plug together using the supplied internal straight connector or optional jumper cords
- Captive external mounting screws
- Rear wireway access cover with flush non-metallic cable clamp and push-in electrical connectors facilitate fast wiring without having to open fixture (14", 22", 30" and 40" only)
- Miniature die-cast fitting for flexible metal conduit, off-center knock-outs and extra mounting plate for feed-through fixture-to-fixture loop wiring increase installation versatility (14", 22", 30" and 40" only)

Ordering Information Example: UPS22 30K 90CRI SL NS

Pro-Series SoftTask LED Fixture	CCT	CRI	Finish	Direct Wire/Portable	Control Options
UPS09 9" (9-1/2"L x 3-1/2"D x 1"H)	30K 3000K	90CRI 90CRI	WH Designer White	Blank Direct Wire	Blank Includes On/Off Rocker Switch
UPS14 14" (14"L x 3-1/2"D x 1"H)			BL Black	6CP ² Portable with 6' Cord & Plug	NS No Rocker Switch
UPS22 22" (22"L x 3-1/2"D x 1"H)			BZ Brushed Bronze		OC ¹ Occupancy Sensor with Switch
UPS30 30" (29-1/4"L x 3-1/2"D x 1"H)			SL Brushed Silver		OCN ¹ Occupancy Sensor without Switch
UPS40 40" (40"L x 3-1/2"D x 1"H)					

¹ Occupancy Sensor is available on UPS22, UPS30 and UPS40 only.

² UL Listed as portable when supplied from factory with cord & plug. UPS09 not available as portable.

Finishes



Black



Brushed Bronze



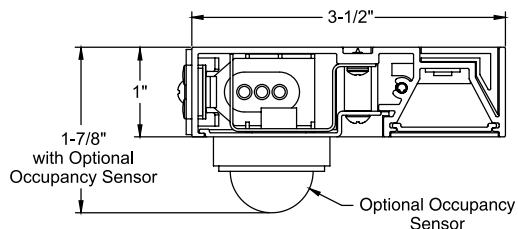
Brushed Silver



Designer White

Listings UL/C-UL for damp locations

Dimensions



Juno® Pro-Series LED



Juno Pro-Series LED duplicates the light level and color of Halogen undercabinet lighting using just 1/6 of the energy and virtually no heat. And by virtue of its amazing 50,000 hour life, lamp replacement is a thing of the past... at 4 hours/day you can expect over 34 years of maintenance-free operation!

Accessories



JC3 8IN, JC3 17IN, JC3 26IN – Jumper Cords
3-wire Jumper Cord to electrically join fixtures when spaced apart, turning corners, or spanning cabinet frames.
Finish: BL-Black, WH-Designer White



U6CP – 6' Cord and Plug
3-wire grounded cord and plug accessory for portable plug-in installation.
Finish: BL-Black, WH-Designer White



UDWMOC – Occupancy Sensor Module
Direct wire Passive Infrared (PIR) Occupancy Sensor without on/off rocker switch. 6"L 4-1/2"D x 1"H
Finish: BL-Black, WH-Designer White



UDWMOC (WH, BL) RS – Occupancy Sensor Module
Direct wire Passive Infrared (PIR) Occupancy Sensor with on/off rocker switch. 6"L 4-1/2"D x 1"H
Finish: BL-Black, WH-Designer White



UDWM – Direct Wire Module
Facilitates code-compliant installation of fixture at front edge of cabinet. Includes wiring enclosure and 36" field-shortenable jumper cord that plugs into the right or left side of the fixture. 3"L x 3"D x 1"H
Finish: BL-Black, WH-Designer White



UCONN – 3/8" Miniature Die-Cast Electrical Connector
Accessory for use when loop wiring with non-metallic sheathed cable or BX.

Performance Features

- Utilizes warm-white 3000K LEDs tightly binned to within a 2-step MacAdam Ellipse for industry-leading color consistency, 80CRI minimum
- Approximates the color temperature and illumination levels of halogen using 1/6 of the energy
- 22" and 30" fixtures are available with Passive Infrared (PIR) Occupancy Sensor. The PIR sensor can be field adjustable time delay that can be set from 30 seconds to 30 minutes. All additional fixtures connected to the fixture with occupancy sensor will be controlled by the single sensor
- Dimmable with most incandescent, magnetic low voltage or electronic low voltage wall box dimmers
- No UV or forward projected heat

Construction Features

- Slim 1" extruded aluminum profile
- Premium clear prismatic tempered glass lens for maximum light transmission and wipe down cleaning. Reversed angled to minimize perceived fixture brightness
- Hinged lens captured by spring loaded retention bar, lens cannot fall out
- Integral state of the art 120-volt constant current electronic driver
- Integral on/off rocker switch standard, available without switch as well
- Choice of Designer White, Brushed Silver, Brushed Bronze or Black finish

Installation Features

- Modular design for maximum flexibility and quick installation allows up to 40 fixtures to plug together using the supplied internal straight connector or optional jumper cords
- Captive external mounting screws
- Rear wireway access cover with flush non-metallic cable clamp and push-in electrical connectors facilitate fast wiring without having to open fixture (14", 22", and 30" only)
- Miniature die-cast fitting for flexible metal conduit, off-center knock-outs and extra mounting plate for feed-through fixture-to-fixture loop wiring increase installation versatility (14", 22", and 30" only)

Ordering Information

Example: UPLED22 30K 80CRI BL OCN

Pro-Series LED Fixture	CCT	CRI	Finish	Direct Wire/Portable	Control Options
UPLED09 9" (9-1/2"L x 4-1/2"D x 1"H)	30K 3000K	80CRI 80CRI	WH Designer White	Blank Direct Wire	Blank Includes On/Off Rocker Switch
UPLED14 14" (14"L x 4-1/2"D x 1"H)			BL Black	6CP² Portable with 6' Cord & Plug	NS No Rocker Switch
UPLED22 22" (22"L x 4-1/2"D x 1"H)			BZ Brushed Bronze		OC¹ Occupancy Sensor with Switch
UPLED30 30" (29.25"L x 4-1/2"D x 1"H)			SL Brushed Silver		OCN¹ Occupancy Sensor without Switch

¹ Occupancy Sensor is available on UPLED22 and UPLED30 only.
² UL Listed as portable when supplied from factory with cord & plug.

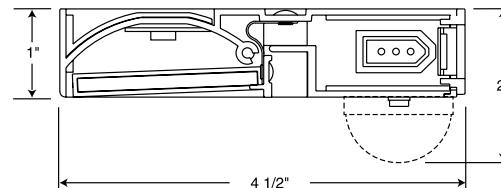
Finishes



Black Brushed Bronze Brushed Silver Designer White

Listings UL/C-UL

Dimensions



Juno® Pro-Series Fluorescent



Pro-Series Fluorescent offers a cool-operating, energy efficient solution with work surface light levels up to 50% higher than other Pro-Series lamping options. It is an ideal choice for uniform, shadow free task lighting in both residential and commercial applications. 10,000 rated lamp life.

Accessories



JC3 8IN, JC3 17IN, JC3 26IN – Jumper Cords
3-wire Jumper Cord to electrically join fixtures when spaced apart, turning corners, or spanning cabinet frames.
Finish: BL-Black, WH-Designer White



U6CP – 6' Cord and Plug
3-wire grounded cord and plug accessory for portable plug-in installation.
Finish: BL-Black, WH-Designer White



UDWMOC – Occupancy Sensor Module
Direct wire Passive Infrared (PIR) Occupancy Sensor without on/off rocker switch. 6"L 4-1/2"D x 1"H
Finish: BL-Black, WH-Designer White



UDWMOC (WH, ;BL) RS – Occupancy Sensor Module
Direct wire Passive Infrared (PIR) Occupancy Sensor with on/off rocker switch. 6"L 4-1/2"D x 1"H
Finish: BL-Black, WH-Designer White



UDWM – Direct Wire Module
Facilitates code-compliant installation of fixture at front edge of cabinet. Includes wiring enclosure and 36" field-shortenable jumper cord that plugs into the right or left side of the fixture. 3"L x 3"D x 1"H
Finish: BL-Black, WH-Designer White



UCONN – 3/8" Miniature Die-Cast Electrical Connector
Accessory for use when loop wiring with non-metallic sheathed cable or BX.

Performance Features

- Fixtures include cool operating, energy efficient 3000K high-color rendering T5 fluorescent lamp
- Bright, uniform, shadow free illumination
- 22", 34" and 46" fixtures are available with Passive Infrared (PIR) Occupancy Sensor. The PIR sensor has a field adjustable time delay that can be set from 30 seconds to 30 minutes. All additional fixtures connected to the fixture with occupancy sensor will be controlled by the single sensor

Construction Features

- Slim 1" extruded aluminum profile
- Premium UV stabilized acrylic diffuser remains pliable and will not discolor
- Solid front design minimizes perceived fixture brightness
- Integral on/off rocker switch standard. Available without switch as well
- State of the art 120-volt electronic ballast provides instant lamp starting and quiet, flicker-free operation
- Choice of Designer White, Brushed Silver, Brushed Bronze or Black finish

Installation Features

- Modular design for maximum flexibility and quick installation allows up to 10 fixtures to plug together using the supplied internal straight connector or optional jumper cords
- Captive external mounting screws
- Rear wire way access cover with flush non-metallic cable clamp and push-in electrical connectors facilitate fast wiring without having to open fixture
- Miniature die-cast fitting for flexible metal conduit, off-center knock-outs and extra mounting plate for feed-through fixture-to-fixture loop wiring increase installation versatility

Pro-Series Fluorescent Light Output Compared to Halogen

Fixture	Fluorescent Lamp (Provided)	Equivalent Halogen Wattage
UPF12	8 watts, T5 3000K	40 watts
UPF22	14 watts, HE T5 3000K	75 watts
UPF34	21 watts, HE T5 3000K	100 watts
UPF46	28 watts, HE T5 3000K	150 watts

Ordering Information Example: UPF22 BL 6PN OCN

Pro-Series SoftTask LED Fixture	Finish	Direct Wire/Portable	Control Options
UPF12 12" (12-7/16"L x 4-1/2"D x 1"H)	WH Designer White	Blank Direct Wire	Blank Includes On/Off Rocker Switch
UPF22 22" (22-3/4"L x 4-1/2"D x 1"H)	BL Black	6CP² Portable with 6' Cord & Plug	NS No Rocker Switch
UPF34 34" (34-1/2"L x 4-1/2"D x 1"H)	BZ Brushed Bronze		OC¹ Occupancy Sensor with Switch
UPF46 46" (46-5/16"L x 4-1/2"D x 1"H)	SL Brushed Silver		OCN¹ Occupancy Sensor without Switch

¹ Occupancy Sensor is available on UPF12.

² UL Listed as portable when supplied from factory with cord & plug.

Finishes



Black



Brushed Bronze



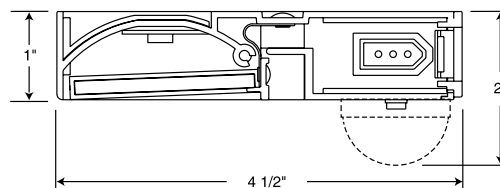
Brushed Silver



Designer White

Listings UL/C-UL

Dimensions



Note: Pro-Series Fluorescent series fixtures are not dimmable

Juno® Pro-Series Halogen



Pro-Series Halogen is the original and ever-popular Pro-Series fixture. True-halogen color rendering in a slim, attractive package designed to maximize light output and minimize the cabinet bottom contact temperature. Extended 6,000 hour lamp life is achieved by tuning the output voltage to the halogen lamp.

Performance Features

- 12-volt halogen lamps for optimal color rendering
- Integral reflector spaced away from cabinet bottom maximizes light output while reducing fixture/cabinet contact temperature
- Dimmable with standard ELV type wall box dimmers or integral high/low/off rocker switch

Construction Features

- Slim 1" extruded aluminum profile
- Premium clear prismatic tempered glass lens for maximum light transmission and wipe down cleaning is reversed angled to minimize perceived fixture brightness
- Hinged lens captured by spring loaded retention bar, lens cannot accidentally fall out
- Integral state of the art 120 to 12-volt electronic transformer
- Choice of Designer White, Brushed Silver, Brushed Bronze or Black finish

Installation Features

- Modular design for maximum flexibility and quick installation allows up to 10 fixtures to plug together using the supplied internal straight connector or optional jumper cords
- Captive external mounting screws
- Rear wireway access cover with flush non-metallic cable clamp and push-in electrical connectors facilitate fast wiring without having to open fixture
- Miniature die-cast fitting for flexible metal conduit, off-center knock-outs and extra mounting plate for feed-through fixture-to-fixture loop wiring increase installation versatility

Finishes



Black Brushed Bronze Brushed Silver Designer White

Listings UL/C-UL

Fixtures



ULH109 – 9" 1-Lamp Pro-Series Halogen

Supplied with joiner connector, mounting hardware and (1) T3 12V 20W bi-pin halogen lamp. 9-1/2"L x 4-1/2"D x 1"H

Finish: BL-Black, BZ-Brushed Bronze, SL-Brushed Silver, WH-Designer White

ULH214 – 14" 2-Lamp Pro-Series Halogen

Supplied with joiner connector, mounting hardware and (2) T3 12V 20W bi-pin halogen lamps. 14"L x 4-1/2"D x 1"H

Finish: BL-Black, BZ-Brushed Bronze, SL-Brushed Silver, WH-Designer White

ULH322 – 22" 3-Lamp Pro-Series Halogen

Supplied with joiner connector, mounting hardware and (3) T3 12V 20W bi-pin halogen lamps. 22"L x 4-1/2"D x 1"H

Finish: BL-Black, BZ-Brushed Bronze, SL-Brushed Silver, WH-Designer White

ULH430 – 30" 4-Lamp Pro-Series Halogen

Supplied with joiner connector, mounting hardware and (4) T3 12V 20W bi-pin halogen lamps. 29-1/4"L x 4-1/2"D x 1"H

Finish: BL-Black, BZ-Brushed Bronze, SL-Brushed Silver, WH-Designer White

Accessories



JC3 8IN, JC3 17IN, JC3 26IN – Jumper Cords

3-wire Jumper Cord to electrically join fixtures when spaced apart, turning corners, or spanning cabinet frames.

Finish: BL-Black, WH-Designer White

U6CP – 6' Cord and Plug

3-wire grounded cord and plug accessory for portable plug-in installation.

Finish: BL-Black, WH-Designer White

UDWM – Direct Wire Module

Facilitates code-compliant installation of fixture at front edge of cabinet. Includes wiring enclosure and 36" field-shortenable jumper cord that plugs into the right or left side of the fixture. 3"L x 3"D x 1"H

Finish: BL-Black, WH-Designer White

UCONN – 3/8" Miniature Die-Cast Electrical Connector

Accessory for use when loop wiring with non-metallic sheathed cable or BX.

TL293 – 12V 20W Bi-Pin, High Output Halogen Replacement Lamp

Cabinet Bottom Cabinet Temperatures

Typical Halogen Fixture

Between 70 – 90°C

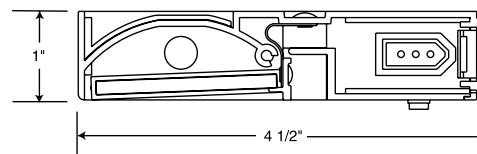
Causes cabinetry discoloration/delaminating and drying out of perishables stored on shelf above

Pro-Series Halogen Fixture

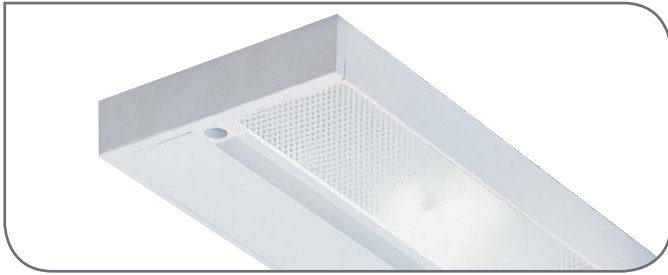
Under 60°C

Safe for most cabinet laminates and minimizes thermal transfer to shelf above

Dimensions



Juno® Pro-Series Xenon



Pro-Series Xenon offers a slightly warmer color rendering than halogen in the same attractive, efficient Pro-Series package designed to maximize light output and minimize the cabinet bottom contact temperature. 10,000 hour lamp life is achieved by tuning the output voltage to the xenon lamp.

Performance Features

- 12-volt xenon lamps offer slightly warmer color rendering as compared to halogen
- Integral reflector spaced away from cabinet bottom maximizes light output while reducing fixture/cabinet contact temperature
- Dimmable with standard ELV type wall box dimmers or integral high/low/off rocker switch

Construction Features

- Slim 1" extruded aluminum profile
- Premium clear prismatic tempered glass lens for maximum light transmission and wipe down cleaning is reversed angled to minimize perceived fixture brightness
- Hinged lens captured by spring loaded retention bar, lens cannot accidentally fall out
- Integral state of the art 120 to 12-volt electronic transformer
- Choice of Designer White, Brushed Silver, Brushed Bronze or Black finish

Installation Features

- Modular design for maximum flexibility and quick installation allows up to 10 fixtures to plug together using the supplied internal straight connector or optional jumper cords
- Captive external mounting screws
- Rear wireway access cover with flush non-metallic cable clamp and push-in electrical connectors facilitate fast wiring without having to open fixture
- Miniature die-cast fitting for flexible metal conduit, off-center knock-outs and extra mounting plate for feed-through fixture-to-fixture loop wiring increase installation versatility

Finishes



Black Brushed Bronze Brushed Silver Designer White

Listings UL/C-UL

Fixtures



UPX109 – 9" 1-Lamp Pro-Series Xenon

Supplied with joiner connector, mounting hardware and (1) 12V 20W bi-pin high output xenon lamp. 9-1/2"L x 4-1/2"D x 1"H

Finish: BL-Black, BZ-Brushed Bronze, SL-Brushed Silver, WH-Designer White

UPX214 – 14" 2-Lamp Pro-Series Xenon

Supplied with joiner connector, mounting hardware and (2) 12V 20W bi-pin high output xenon lamps. 14"L x 4-1/2"D x 1"H

Finish: BL-Black, BZ-Brushed Bronze, SL-Brushed Silver, WH-Designer White

UPX322 – 22" 3-Lamp Pro-Series Xenon

Supplied with joiner connector, mounting hardware and (3) 12V 20W bi-pin high output xenon lamps. 22"L x 4-1/2"D x 1"H

Finish: BL-Black, BZ-Brushed Bronze, SL-Brushed Silver, WH-Designer White

UPX430 – 30" 4-Lamp Pro-Series Xenon

Supplied with joiner connector, mounting hardware and (4) 12V 20W bi-pin high output xenon lamps. 30"L x 4-1/2"D x 1"H

Finish: BL-Black, BZ-Brushed Bronze, SL-Brushed Silver, WH-Designer White

Accessories



JC3 8IN, JC3 17IN, JC3 26IN – Jumper Cords

3-wire Jumper Cord to electrically join fixtures when spaced apart, turning corners, or spanning cabinet frames.

Finish: BL-Black, WH-Designer White

U6CP – 6' Cord and Plug

3-wire grounded cord and plug accessory for portable plug-in installation.

Finish: BL-Black, WH-Designer White

UDWM – Direct Wire Module

Facilitates code-compliant installation of fixture at front edge of cabinet. Includes wiring enclosure and 36" field-shortenable jumper cord that plugs into the right or left side of the fixture. 3"L x 3"D x 1"H

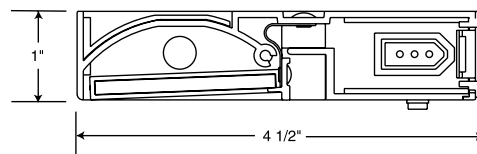
Finish: BL-Black, WH-Designer White

UCONN – 3/8" Miniature Die-Cast Electrical Connector

Accessory for use when loop wiring with non-metallic sheathed cable or BX.

UPXLAMP – 12V 20W Bi-Pin, High Output Xenon Replacement Lamp

Dimensions



Juno® Economy Fluorescent



The economy fluorescent series offers a cool-operating, energy efficient solution with work surface light levels up to 50% higher than other lamping options in a basic sheet metal housing with wrap-around diffuser. It is an ideal choice for uniform, shadow free task lighting in both residential and commercial applications. 10,000 hour lamp life.

Performance Features

- Fixtures include cool operating, energy efficient 3000K high-color rendering T5 fluorescent lamp
- Bright, uniform shadow free illumination

Construction Features

- Compact 2-5/16"D x 1-1/16"H sheet metal profile
- Premium UV stabilized acrylic wrap-around diffuser remains pliable and will not discolor
- Integral on/off rocker switch
- State of the art 120-volt electronic ballast provides instant lamp starting and quiet, flicker-free operation
- Choice of Appliance White or Silver painted finishes

Installation Features

- Multiple electrical knock-outs in back and sides to facilitate direct wire installation

Fixtures



UFL12 – 12" 8W T5 Direct Wire Fluorescent

Supplied with 8W T5 3000K tri-phosphor lamp, mounting hardware and 3/8" miniature die-cast electrical connector.
12-7/16"L x 2 5/8"D x 1-1/16"H

Finish: SL-Silver, WH-Appliance White



UFL22 – 22" 14W T5 Direct Wire Fluorescent

Supplied with 14W T5 HE 3000K tri-phosphor lamp, mounting hardware and 3/8" miniature die-cast electrical connector.
22-3/4"L x 2 5/8"D x 1-1/16"H

Finish: SL-Silver, WH-Appliance White



UFL34 – 34" 21W T5 Direct Wire Fluorescent

Supplied with 21W T5 HE 3000K tri-phosphor lamp, mounting hardware and 3/8" miniature die-cast electrical connector.
34-1/2"L x 2 5/8"D x 1-1/16"H

Finish: SL-Silver, WH-Appliance White



UFL46 – 46" 28W T5 Direct Wire Fluorescent

Supplied with 28W T5 HE 3000K tri-phosphor lamp, mounting hardware and 3/8" miniature die-cast electrical connector.
46-5/16"L x 2 5/8"D x 1-1/16"H

Finish: SL-Silver, WH-Appliance White

Accessories



U6CP – 6' Cord and Plug

3-wire grounded cord and plug accessory for portable plug-in installation.

Finish: BL-Black, WH-Designer White



UCONN – 3/8" Miniature Die-Cast Electrical Connector

Accessory for use when loop wiring with non-metallic sheathed cable or BX.

Finishes



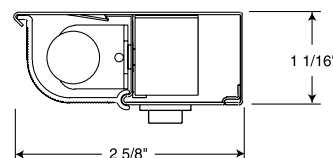
Silver



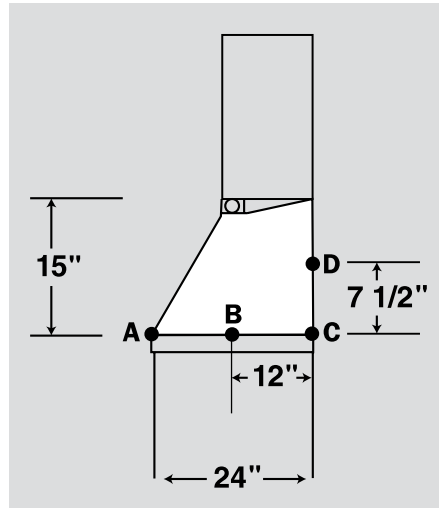
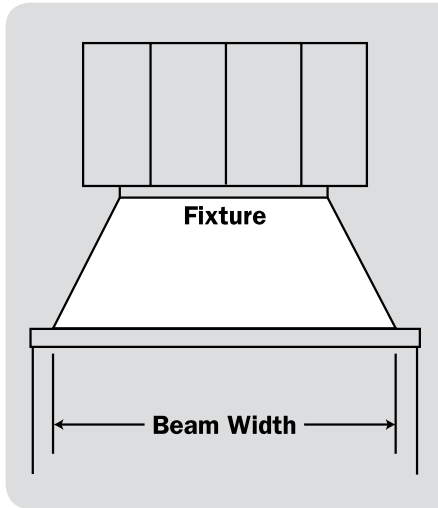
Appliance White

Listings UL/C-UL

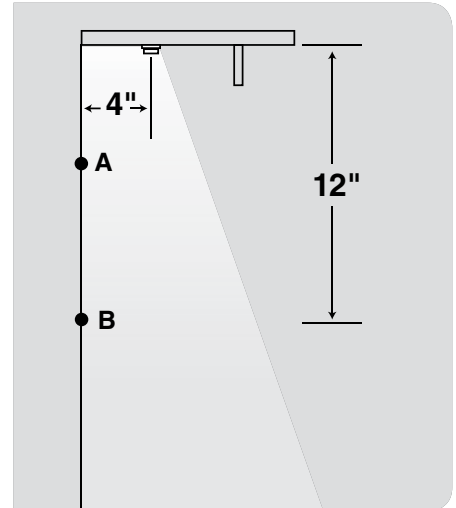
Dimensions



Note: Juno economy series fluorescent fixtures are not dimmable



Footcandles on Horizontal Surface



Footcandles on Vertical Surface (Color LED Modules)

Application Guide

Footcandles on Illuminated Surfaces

Fixture	Category #	Lamp	Beam Width*	Footcandles***			
				A	B	C	D
SoftTask™ LED	UPS09	24 LEDs	21"	18	78	58	58
	UPS14	36 LEDs	22"	27	114	86	85
	UPS22	55 LEDs	28"	35	144	113	105
	UPS30	72 LEDs	33"	39	155	124	111
	UPS40	98 LEDs	43"	52	197	168	145
Pro-Series LED	UPLD09	(2) 1-watt LEDs	20"	12	37	17	13
	UPLD14	(4) 1-watt LEDs	22"	22	64	31	24
	UPLD22	(6) 1-watt LEDs	28"	30	86	41	31
	UPLD30	(8) 1-watt LEDs	32"	35	97	50	38
Pro-Series Halogen	ULH109	(1) 20-watt Halogen	21"	8	29	26	34
	ULH214	(2) 20-watt Halogen	23"	14	52	46	52
	ULH322	(3) 20-watt Halogen	31"	23	72	63	59
	ULH430	(4) 20-watt Halogen	36"	23	74	69	61
Pro-Series Xenon	UPX109	(1) 20-watt High-Output Xenon	21"	9	31	28	35
	UPX214	(2) 20-watt High-Output Xenon	23"	15	53	48	54
	UPX322	(3) 20-watt High-Output Xenon	31"	24	72	65	62
	UPX430	(4) 20-watt High-Output Xenon	36"	23	75	69	64
Pro-Series Fluorescent	UPF12	8-watt T5 Fluorescent	21"	22	64	34	39
	UPF22	14-watt T5 HE Fluorescent	27"	37	105	59	65
	UPF34	21-watt T5 HE Fluorescent	34"	47	126	75	73
	UPF46	28-watt T5 HE Fluorescent	43"	61	162	100	96
Economy Fluorescent	UFL12	8-watt T5 Fluorescent	24"	32	77	68	93
	UFL22	14-watt T5 HE Fluorescent	31"	64	135	130	157
	UFL34	21-watt T5 HE Fluorescent	41"	66	140	131	140
	UFL46	28-watt T5 HE Fluorescent	50"	83	171	166	170

* Beam width defined at 50% of maximum footcandles. All data is for a single fixture. Fixture mounted at front lip of cabinet. Rear wall reflectance 50%. Counter Surface Reflectance 20%.

Photo Credits:

Cover: Fairview Builders, LLC Custom Home Builder, Model Home – Cliffs at Mountain Park
 Page 1: Overstreet Builders, Model Home, Naperville, IL (Pictureboy Photography)



©2017 Acuity Brands Lighting, Inc. The marks appearing in this catalog are trademarks of Acuity Brands Lighting, Inc. Products shown in this brochure may be covered by U.S. and international patents and patents pending. Specifications subject to change without notice. Printed in the U.S.A.