



Undercabinet Lighting

Westgate offers a broad selection of LED Under Cabinet Lights suited for different environments and tasks using the latest LED lighting technology, with a full 5-Year Limited Warranty.

UCA

ADJUSTABLE ANGLE MULTI COLOR TEMPERATURE

120V
Internal Drivers

TECHNICAL SPECIFICATIONS:

- :: Linkable
- :: 1/2" KOs for hardwiring installation (multiple on top and back)
- :: Standard
- :: Built-in LED driver
- :: Available in 7 lengths: 8", 12", 16", 21", 24", 33", 42"
- :: 22-gauge sheet metal housing, white or bronze enamel finish, painted after fabrication
- :: Very low, 1" profile, only 3-1/2" wide
- :: Tempered glass lens for easy cleaning, inside frosted to reduce LED imaging
- :: Adjustable color temperature
- :: CRI = 84
- :: Working voltage: 120V with plug and hardwire option included
- :: Color packaging with hanging tab
- :: 3/8" flex connector and mounting screws included
- :: Includes 6' power cord with plug and (1) 8" Interconnect cable
- :: Key-holed mounting slots in housing simplify installation
- :: 5-year warranty



UCA-BRZ

UCA-WHT



6' Power Cord
8' Interconnect Cable
End-to-End connector
Mounting Screws



On/Off Switch with 100%/50% Dimming
Color Temp. Switch:
2700K/3000K/4000K



1/2" KOs
Cable Connector included

FEATURES:

- :: LEDs offer incredible brightness, energy efficiency and color rendering.
- :: Low heat, easy installation, environmentally friendly and maintenance free for many years
- :: Ideal for under cabinet, display cases, or in low-profile areas

E1

120V LED UNDERCABINET

120-VOLT LED UNDERCABINET

CATALOG NO.	LENGTH	COLOR TEMP	WATTS	LUMENS	FINISH
UCA-8-WHT	8"	2700K/3000K/4000K	3W	150LM	White
UCA-12-WHT	12"	2700K/3000K/4000K	5W	275LM	White
UCA-16-BRZ	16"	2700K/3000K/4000K	6.5W	390LM	White
UCA-21-WHT	21"	2700K/3000K/4000K	8W	450LM	White
UCA-24-WHT	24"	2700K/3000K/4000K	12W	650LM	White
UCA-33-WHT	33"	2700K/3000K/4000K	16W	900LM	White
UCA-42-WHT	42"	2700K/3000K/4000K	20W	1100LM	White
UCA-8-BRZ	8"	2700K/3000K/4000K	3W	150LM	Bronze
UCA-12-BRZ	12"	2700K/3000K/4000K	5W	275LM	Bronze
UCA-16-BRZ	16"	2700K/3000K/4000K	6.5W	390LM	Bronze
UCA-21-BRZ	21"	2700K/3000K/4000K	8W	450LM	Bronze
UCA-24-BRZ	24"	2700K/3000K/4000K	12W	650LM	Bronze
UCA-33-BRZ	33"	2700K/3000K/4000K	16W	900LM	Bronze
UCA-42-BRZ	42"	2700K/3000K/4000K	20W	1100LM	Bronze

UC-ADJ



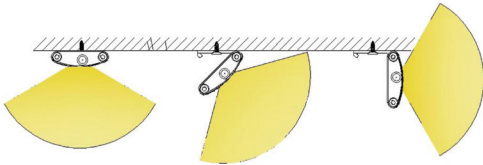
24V

TECHNICAL SPECIFICATIONS:

- :: Requires electronic or hard wired magnetic drivers
- :: Ultra-low profile—only 1/4" deep in flat position
- :: Strip can be easily adjusted from 0 to 90°.
- :: Polycarbonate end caps with universal feed thru mono-pin receptacle
- :: Extruded aluminum housing with white powder coat finish
- :: Smooth clear acrylic lens (.125" thickness). Seamless light output
- :: Highly efficient SMD 3528 chip technology
- :: Integrated switch, push on—push off
- :: Mounting hardware and coupler included
- :: Working voltage: 24V DC—(driver required)
- :: Color temperatures: warm white (3000K), cool white (6000K)
- :: Suitable for interior applications only
- :: Ambient temperature rating: 4°F~104°F
- :: 5-year warranty



DIRECTION ADJUSTMENT:



1. Adjust the illumination direction of the lamp for 0°, 45° or 90°.
2. The lamp can only be rotated 90° maximum.

APPLICATIONS:

- :: Very low profile, easy to install, cool to the touch
- :: High output with excellent color rendition and years of maintenance free operation
- :: Wide selection of mounting hardware, accessories and LED drivers



24-VOLT LED ADJUSTABLE UC LINEAR LIGHTS

CATALOG NO.	LENGTH	COLOR TEMP	WATTS	LUMENS	LED TYPE
UC-ADJ-12WW	12"	3000K	5W	380LM	SMD3528
UC-ADJ-12W	12"	6000K	5W	400LM	SMD3528
UC-ADJ-20WW	20"	3000K	8W	600LM	SMD3528
UC-ADJ-20W	20"	6000K	8W	640LM	SMD3528
UC-ADJ-40WW	40"	3000K	16W	1200LM	SMD3528
UC-ADJ-40W	40"	6000K	16W	1280LM	SMD3528
UC-ADJ-PIR	Passive Infrared Sensor for UC Adjustable				
UC-ADJ-DMR	Touch Dimmer				
UC-ADJ-JUNCTION	Required for hardwire installations				

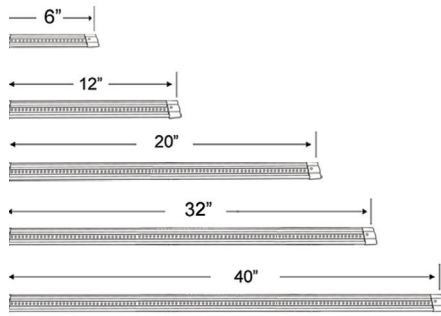
UC-12V

12V

Ideal for granite counter tops



UC-12V SERIES



1-1/4" width x 1/4" height x Length

TECHNICAL SPECIFICATIONS:

- :: Requires plug-in electronic or hard wired magnetic drivers
- :: Ultra-low profile—only 1/4" deep
- :: Extruded aluminum housing with white powder coat finish
- :: Polycarbonate end caps with universal feed thru mono-pin receptacle
- :: Smooth white acrylic lens (.125" thickness). No lamp imaging
- :: Highly efficient SMD 3528 chip technology
- :: Integral switch, push on—push off
- :: Mounting hardware and coupler included
- :: Working voltage: 12V DC—driver required
- :: Suitable for interior applications only
- :: Ambient temperature rating: -20°C (4°F) to +40°C (104°F)
- :: 5-year warranty

FEATURES:

- :: Very low profile, easy to install, cool to the touch
- :: High brightness with excellent color rendition and years of maintenance free operation
- :: Wide selection of mounting hardware, accessories and LED drivers



ACCESSORIES INCLUDED



UC CONN CABLE-WH
36" Connector cable

UC PLAS CONN-WH
In-line connector

UC M CLIPS, UC SCREWS
Mounting clips & screws (2ea.)

12-VOLT LED UNDERCABINET

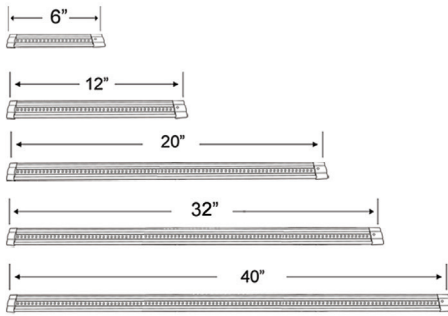
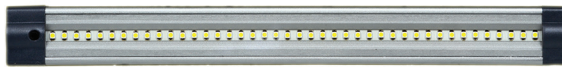
CATALOG NO.	LENGTH	COLOR TEMP	WATTS	LUMENS	LED QTY
UCW6WW	6"	3000K	2W	140LM	24
UCW6W	6"	6000K	2W	168LM	24
UCW12WW	12"	3000K	3W	250LM	42
UCW12W	12"	6000K	3W	280LM	42
UCW20WW	20"	3000K	5W	420LM	72
UCW20W	20"	6000K	5W	462LM	72
UCW32WW	32"	3000K	8W	590LM	96
UCW32W	32"	6000K	8W	640LM	96
UCW40WW	40"	3000K	11W	820LM	144
UCW40W	40"	6000K	11W	880LM	144

UC-24V

Ideal for granite counter tops



UC-24V SERIES



1-1/4" width x 1/4" height x Length

24V

TECHNICAL SPECIFICATIONS:

- :: Requires electronic or hard wired magnetic drivers
- :: Ultra-low profile—only 1/4" deep
- :: Extruded aluminum housing with white powder coat finish
- :: Polycarbonate end caps with universal feed thru mono-pin receptacle
- :: Acrylic lens (.125" thickness).
- :: Highly efficient SMD 3528 chip technology
- :: Integral switch, push on—push off
- :: Mounting hardware and coupler included
- :: Working voltage: 24V DC—driver required
- :: Plug in electronic or hard wired magnetic drivers available
- :: Suitable for interior applications only
- :: Ambient temperature rating: -20°C (4°F) to +40°C (104°F)
- :: 5-year warranty

FEATURES:

- :: Very low profile, easy to install, cool to the touch
- :: High brightness with excellent color rendition and years of maintenance free operation
- :: Wide selection of mounting hardware, accessories and LED drivers



ACCESSORIES INCLUDED



24-VOLT LED UNDERCABINET

CATALOG NO.	LENGTH	COLOR TEMP	WATTS	LUMENS	LED QTY
UC6WW	6"	3000K	2W	140LM	24
UC6W	6"	6000K	2W	168LM	24
UC12WW	12"	3000K	3W	250LM	42
UC12W	12"	6000K	3W	280LM	42
UC20WW	20"	3000K	5W	420LM	72
UC20W	20"	6000K	5W	462LM	72
UC32WW	32"	3000K	8W	590LM	96
UC32W	32"	6000K	8W	640LM	96
UC40WW	40"	3000K	11W	820LM	144
UC40W	40"	6000K	11W	880LM	144

ACCESSORIES INCLUDED



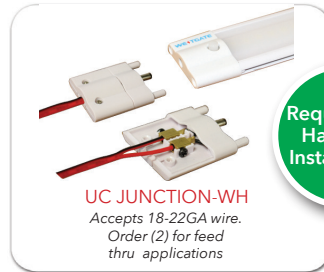
**UCCONCABLE-BK
UCCONCABLE-WH**
36" connector cable



**UCPLASCONN-BK
UCPLASCONN-WH**
In-line connector



UCMCLIPS, UCSCREWS
Mounting clips & screws
(2ea.)



UC JUNCTION-WH
Accepts 18-22GA wire.
Order (2) for feed
thru applications



UC JUNCTION-BK
Accepts 18-22GA wire.
Order (2) for feed
thru applications

Required for
Hardwire
Installations

OPTIONAL ACCESSORIES (Order separately)

DIMMERS & SENSORS



**UCDIMMER-TOUCH-BK
UCDIMMER-TOUCH-WH**
Linear undercabinet
touch dimmer plugs into
U/C channel, 12 & 24 volt



UCDIMMER
LED undercabinet
dimmer, 12 & 24 volt



UCSENS-PIR
PIR motion sensor, auto
on/off with movement,
max 24 watt in 12V or 36
watt in 24V, 6.4 ft. range



UCSENS-IR-1
IR sensor, auto on/off
when movement, max
72W, 4" (10cm) range,
12V & 24V



**UCCOP-3F-BK
UCCOP-3F-WH**
Coupling both ends
female 36" long



**UCCONCABLE-10-BK
UCCONCABLE-10-WH**
Connector cable
10 ft. long
both ends male



**UCPOWERC-10F-BK
UCPOWERC-10F-WH**
Power connector
1 end male 1 end
female (10 ft. long)



**UCAC01-BK
UCAC01-WH**
90° corner connector



UCRE08 UCRE04
With female recepticals
(4 or 8-way splitter)
Connects to male coupling



UCMAGNET + 3M
Magnet & 3M tape
Great for use with
metal office furniture



Plugs into standard 15amp, 120V receptacle

PLUG-IN DRIVERS



12-VOLT PLUG-IN ELECTRONIC LED DRIVERS

CATALOG #	MAX LOAD	DIMENSIONS
UC12PS6W	6W	1-3/4" x 1-1/2" x 3/4"
UC12PS12W	12W	2-1/2" x 1-3/4" x 1"
UC12PS24W	24W	3-3/4" x 1-3/4" x 1"
UC12PS45W	45W	3-3/4" x 1-3/4" x 1"

* 120 VAC input / 12 VDC output
* Non-dimmable

24-VOLT PLUG-IN ELECTRONIC LED DRIVERS

CATALOG #	MAX LOAD	DIMENSIONS
UCPS6W	6W	1-7/8" x 1-3/8" x 1/8"
UCPS12W	12W	2-1/2" x 1-7/8" x 1"
UCPS24W	24W	3-3/4" x 1-3/4" x 1"
UCPS45W	45W	3-3/4" x 1-3/4" x 1"
UCPS70W	70W	3-3/4" x 1-3/4" x 1"

* 120 VAC input / 24 VDC output
* Non-dimmable

MAGNETIC DRIVERS

- Include Primary and Secondary self-reset circuit breakers
- Hardwire input and output lead wires
- 20W, 40W, 50W with one 1/2" KO on each side. 100W, 150W, 300W with one 1/2" KO on each side and two 1/2" KO's on the bottom

- Class 2 UL 1310 Standard
- Indoor/Outdoor NEMA 3R Enclosure, powder coated black
- Single circuit
- Low profile with slanted roof
- Dimmable (Triac/Phase)

With 1/2" KO's



UCM20L12DC
UCM40L12DC
UCM50L12DC
UCM20L24DC
UCM40L24DC
UCM50L24DC



UCM100L12DC
UCM100L24DC



UCM150L12DC
UCM300L12DC
UCM150L24DC
UCM300L24DC

12-VOLT LED MAGNETIC DRIVERS*

CATALOG #	MAX LOAD	DIMENSIONS
UCM20L12DC	20W	2-1/8" x 7-3/8" x 1-1/2"
UCM40L12DC	40W	2-1/8" x 7-3/8" x 1-1/2"
UCM50L12DC	50W	2-1/8" x 7-3/8" x 1-1/2"
UCM100L12DC	100W	4" x 8-1/4" x 1-1/2"
UCM150L12DC	150W	4-1/8" x 8" x 3-1/4"
UCM300L12DC	300W	4-1/8" x 8" x 3-1/4"

24-VOLT LED MAGNETIC DRIVERS**

CATALOG #	MAX LOAD	DIMENSIONS
UCM20L24DC	20W	2-1/8" x 7-3/8" x 1-1/2"
UCM40L24DC	40W	2-1/8" x 7-3/8" x 1-1/2"
UCM50L24DC	50W	2-1/8" x 7-3/8" x 1-1/2"
UCM100L24DC	100W	4" x 8-1/4" x 1-1/2"
UCM150L24DC	150W	4-1/8" x 8" x 3-1/4"
UCM300L24DC	300W	4-1/8" x 8" x 3-1/4"

* Magnetic drivers are hard-wired and can be dimmed using magnetic dimmers.
** For UC undercabinet light installation order UC junction boxes



PL1

120V
Internal Drivers

TECHNICAL SPECIFICATIONS:

- :: Built-in LED driver
- :: Surface or Recessed Mount
- :: Color Temperature: 3000K
- :: Available in three colors: white, brushed nickel, black
- :: Durable polycarbonate housing
- :: Clear acrylic lens
- :: 4-watt LED board, 275 lumens with internal driver
- :: Working voltage: 120V AC
- :: Includes 6 ft. power cord with 15A plug (120V) and rotary switch
- :: Each puck comes with pre-installed 10-inch linkable cord
- :: 5-year warranty

FEATURES:

- :: Energy efficient under cabinet light
- :: Low heat, easy installation, environmentally friendly, maintenance free for many years
- :: Ideal for under cabinet, display cases or in low profile areas



LED-PL1WHT



LED-PL1NKL

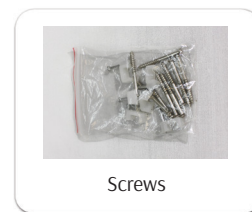


LED-PL1BLK

ACCESSORIES INCLUDED



6Ft. Power Cord with In-Line switch



Screws



For recessed application, housing can be easily removed.

120-VOLT LED PUCK LIGHTS

CATALOG NO.	DESCRIPTION	WATTS	LED QTY	LUMENS	DIMENSIONS
LED-PL1WHT	1 Light 120V, Plastic, White	4W	8	275LM	2-1/2" (dia) x 1-1/8" (D)
LED-PL1NKL	1 Light 120V, Plastic, Brushed Nickel	4W	8	275LM	
LED-PL1BLK	1 Light 120V, Plastic, Black	4W	8	275LM	

PL3



TECHNICAL SPECIFICATIONS:

- :: Built-in LED driver
- :: Surface or Recessed Mount
- :: Color Temperature: 3000K
- :: Available in three colors: white, brushed nickel, black
- :: Durable polycarbonate housing
- :: Clear acrylic lens
- :: 4-watt LED board, 275 lumens with internal driver
- :: Working voltage: 120V AC
- :: Includes 6 ft. power cord with 15A plug (120V) and rotary switch
- :: Each puck comes with pre-installed 10-inch linkable cord
- :: 5-year warranty

FEATURES:

- :: Energy efficient under cabinet light
- :: Low heat, easy installation, environmentally friendly, maintenance free for many years
- :: Ideal for under cabinet, display cases or in low profile areas



LED-PL3WHT



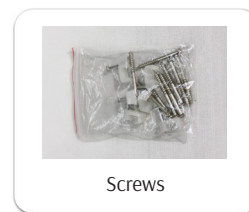
LED-PL3NKL



LED-PL3BLK



ACCESSORIES INCLUDED



For recessed application, housing can be easily removed.

120-VOLT LED 3-PACK PUCK LIGHTS

CATALOG NO.	DESCRIPTION	WATTS	LED QTY	LUMENS	DIMENSIONS
LED-PL3WHT	3 Lights 120V, Plastic, White	3 x 4W	3 x 8	3 x 275LM	2-1/2" (dia) x 1-1/8" (D)
LED-PL3NKL	3 Lights 120V, Plastic, Brushed Nickel	3 x 4W	3 x 8	3 x 275LM	
LED-PL3BLK	3 Lights 120V, Plastic, Black	3 x 4W	3 x 8	3 x 275LM	