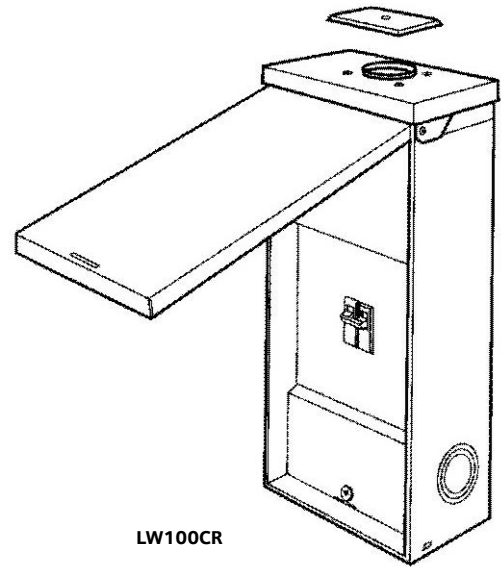


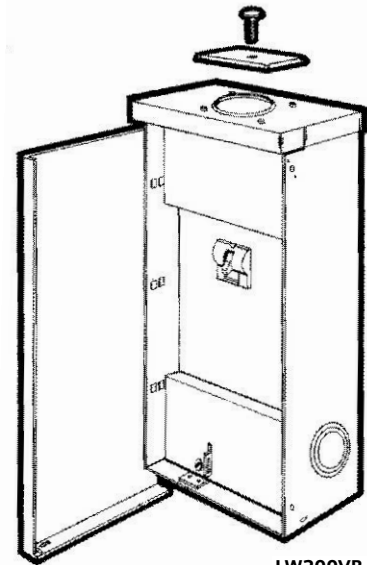
# Circuit Breaker Enclosures

## FEATURES

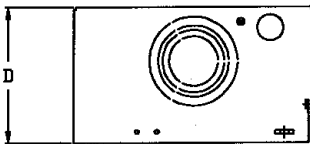
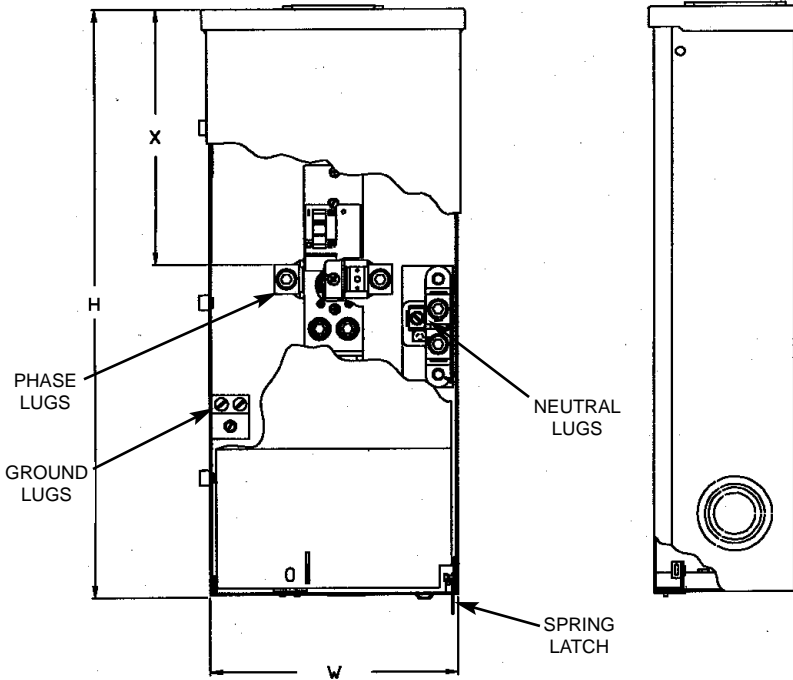
- UL Listed
- Side hinged door on 200A devices
- Top hinged door on 100A devices
- Spring latch on 200A devices
- Metal circuit breaker hook rails
- NEMA Type 3R enclosure
- Painted G90 galvanized steel
- Padlock provisions
- 22K AIC rating



LW100CR



LW200VR



| Catalog Number | Main Breaker    | Dimensions (in inches) |     |     |     |
|----------------|-----------------|------------------------|-----|-----|-----|
|                |                 | H                      | W   | D   | X   |
| LW100CR        | 100A            | 17.4                   | 7.3 | 4.3 | 7.2 |
| LW200VR        | 200A            | 19.8                   | 8.4 | 4.6 | 8.6 |
| LW004VR        | 200A (Main Lug) | 19.8                   | 8.4 | 4.6 | 8.6 |

*fastfax*

**MURRAY**

# Circuit Breaker Enclosures

CATALOG NUMBER **LW100CR** (100 AMPERE BREAKER INSTALLED)

MODEL 22 TYPE 3R ENCLOSURE (RAINPROOF). SPECIFY CONDUIT HUBS: 3/4"-HS075, 1"-HS100, 1-1/2"-HS150, 2"-HS200, 2-1/2"-HS250, OR CLOSURE PLATE HS000. HUBS MAY BE MARKED EITHER "MURRAY" OR E10703.

MAXIMUM BREAKER RATING: 100 AMPERES - 120/240 VAC

CAUTION: DO NOT USE HYDROCARBON BASED SPRAYS OR COMPOUNDS TO CLEAN, DRY OR LUBRICATE THIS DEVICE AS IT WILL CAUSE DEGRADATION OF SOME PLASTICS.

THIS DEVICE HAS A SHORT CIRCUIT CURRENT RATING OF 22,000 AMPERES, RMS SYMMETRICAL AT 120/240 VOLTS MAXIMUM. INSTALL ONLY THE FOLLOWING BREAKERS: MURRAY TYPE MP-T, MP-HT, MP-GT OR MP-HGT. REPLACEMENT BREAKERS MUST BE OF THE SAME MANUFACTURER, TYPE AND INTERRUPTING CAPACITY AS THOSE LISTED ABOVE.

**SUITABLE FOR USE AS SERVICE EQUIPMENT.** WHEN USED AS SERVICE EQUIPMENT, APPLY THE "SERVICE DISCONNECT" LABEL TO FRONT NEXT TO BREAKER HANDLE.

WHEN REQUIRED, BOND THE NEUTRAL TO THE ENCLOSURE WITH BONDING STRAP PROVIDED. FOLLOW INSTRUCTIONS PRINTED ON BAG.

FOR BREAKERS WITH HANDLE TRIPPED POSITION BETWEEN "ON" AND "OFF", RESET TRIPPED BREAKER BY MOVING HANDLE TO "OFF", THEN TO "ON".

USE 60/75°C WIRE.

ENCLOSURE TERMINALS - **USE COPPER OR ALUMINUM WIRE**

|                         | WIRE SIZE (AWG) | TORQUE (LB-IN) |
|-------------------------|-----------------|----------------|
| LINE TERMINALS          | #4-2/0          | 45             |
| LARGE NEUTRAL TERMINALS | #14-2/0         | 45             |
| SMALL NEUTRAL TERMINALS | #14-10 CU       | 20             |
|                         | #12-10 AL       | 20             |
|                         | # 8 CU/AL       | 25             |
|                         | # 6 CU/AL       | 35             |
|                         | # 4 CU/AL       | 45             |

INSTALL LINE WIRES IN ENCLOSURE TERMINALS. BREAKER TERMINALS - SEE MARKINGS ON BREAKER.

EQUIPMENT GROUNDING TERMINALS - ORDER KIT #LX069M.

| WIRE RANGE AND TORQUE: | 14-10 AWG | 8 AWG    | 6 AWG    | 4-1/0 AWG |
|------------------------|-----------|----------|----------|-----------|
| SMALL TERMINALS:       | 20 LB-IN  | 25 LB-IN | 35 LB-IN | ---       |
| LARGE TERMINALS:       | 35 LB-IN  | 40 LB-IN | 45 LB-IN | 45 LB-IN  |

**WARNING:** THIS EQUIPMENT HAS BEEN DESIGNED FOR USE ONLY WITH THOSE CIRCUIT BREAKERS LISTED ABOVE. USE OF OTHER CIRCUIT BREAKERS IN THIS EQUIPMENT COULD RESULT IN PROPERTY DAMAGE OR PERSONAL INJURY.

58047-07-14 Rev.A

**Murray Electrical Products**  
Siemens Energy & Automation, Inc.  
Alpharetta, Georgia U.S.A.

T



CATALOG NUMBERS

**LW004VR**

**LW200VR** WHEN SUPPLIED WITH 200 AMPERE BREAKER

MODEL 20 TYPE 3R ENCLOSURE (RAINPROOF). SPECIFY CONDUIT HUBS: 3/4"-HS075M, 1"-HS100M, 1-1/2"-HS150M, 2"-HS200M, 2-1/2"-HS250M, OR CLOSURE PLATE HS000M. HUBS MAY BE MARKED EITHER "MURRAY" OR E10703.

MAXIMUM BREAKER RATING: 200 AMPERES - 120/240 V AC

THIS DEVICE HAS A MAXIMUM SHORT CIRCUIT RATING OF 22,000 AMPS RMS SYMMETRICAL AT 120/240 V AC. THE RATING IS EQUAL TO THE INTERRUPTING RATING OF THE INSTALLED BREAKER. INSTALL ONLY MURRAY TYPE MD-A, MD-H, MD-T OR MD-HT CIRCUIT BREAKERS. REPLACEMENT BREAKERS MUST BE ONE OF THE MURRAY TYPE BREAKERS LISTED ABOVE.

**SUITABLE FOR USE AS SERVICE EQUIPMENT.** WHEN USED AS SERVICE EQUIPMENT, APPLY THE "SERVICE DISCONNECT" LABEL TO FRONT NEXT TO BREAKER HANDLE.

WHEN REQUIRED, BOND NEUTRAL TO ENCLOSURE WITH THE NO. 10 SCREW PROVIDED. FORCE THE BOND SCREW THROUGH THE ALUMINUM SEAL.

USE 75°C WIRE.

ENCLOSURE TERMINALS - **USE COPPER OR ALUMINUM WIRE**

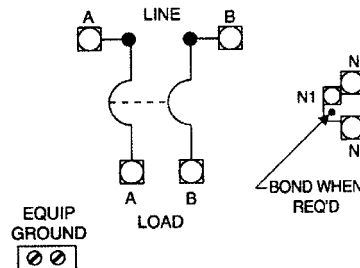
|                                     |                   |
|-------------------------------------|-------------------|
| WIRE RANGE - NEUTRAL AND LINE LUGS: | 4 AWG - 250 kcmil |
| NEUTRAL GROUNDING LUG:              | 4 AWG - 1/0 AWG   |
| TORQUE - NEUTRAL AND LINE LUGS:     | 225 LB-IN         |
| NEUTRAL GROUNDING LUG:              | 45 LB-IN          |

INSTALL LINE WIRES IN ENCLOSURE TERMINALS.

BREAKER TERMINALS - SEE MARKINGS ON BREAKER.

EQUIPMENT GROUND (LX384M) FACTORY INSTALLED

|                           |          |
|---------------------------|----------|
| WIRE RANGE - 14 - 2/0 AWG | CU/AL    |
| TORQUE - 14 - 10 AWG:     | 35 LB-IN |
| 8 AWG:                    | 40 LB-IN |
| 6 - 2/0 AWG:              | 45 LB-IN |



4094691 Rev.A

**Murray Electrical Products**  
Siemens Energy & Automation, Inc.  
Alpharetta, Georgia U.S.A.

T



## Important

This equipment has been designed for use only with those circuit breakers listed above. Use of other circuit breakers in this equipment will void the warranty.

Do not spray or allow any petroleum based chemicals, solvents or paint to contact interior components.

| ⚠ DANGER  |  | ⚠ PELIGRO   |
|---|--|---|
| <p><b>Hazardous Voltage.</b><br/>Will cause death, serious injury or substantial property damage.</p> <p>Turn off power supplying this equipment before working inside.</p> |  | <p><b>Voltaje peligroso. Causará la muerte, lesiones graves o daño substancial a la propiedad.</b></p> <p>Desconecte el suministro de energía a este equipo antes de trabajar en su interior.</p> |