

C-WP-A-TRAD-8L Series

LED Traditional Style Wall Pack - Large

Replaces 250W MH



**CLASSIC, TRADITIONAL-STYLE FIXTURE,
NOW WITH GREATER OUTPUT AND
INCREASED EFFICIENCY!**



PRODUCT SPECIFICATIONS

OVERVIEW

- Initial Delivered Lumens: 8,600, 8,900
- CRI: ≥ 70
- CCT: Neutral White (4000K), Cool White (5000K)
- Input Power: 85 Watts (40K) , 85 Watts (50K)
- Dimmable: No
- Operating Minimum: -40°C (-40°F)
- Lifespan: Estimated 76,000 Hours
- Power Factor: > 0.9
- Total Harmonic Distortion: $< 20\%$
- Limited Warranty: 5 Years*
- Replaces 175W MH

EFFICIENT	DURABLE	RECOMMENDED USE	INPUT VOLTAGE
<ul style="list-style-type: none"> • Uses 45% less energy than comparable HID fixtures • Quick, easy installation 	<ul style="list-style-type: none"> • Lens is heat and shock resistant • Powder-coat finish withstands the test of time 	<ul style="list-style-type: none"> • Security • Pathways • Perimeter Lighting 	<ul style="list-style-type: none"> • Universal (120V through 277V Operation)

ORDERING INFORMATION

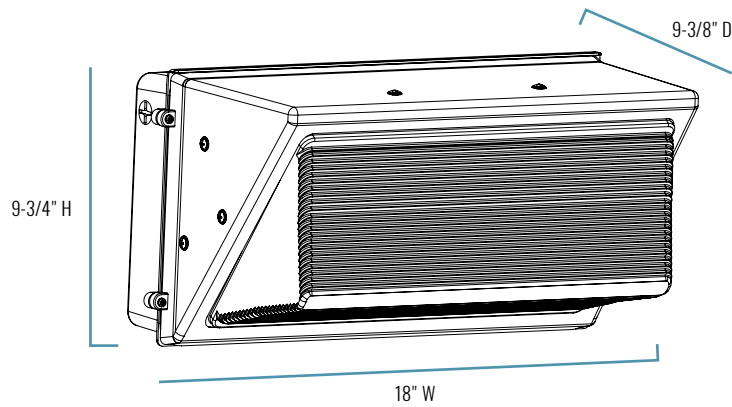
Example: C-WP-A-TRAD-8L-40K-DB

C-WP-A	TRAD	8L		DB
PRODUCT	TYPE	LUMEN PACKAGE	CCT	COLOR
C-WP-A	TRAD LED Traditional Style Wall Pack	8L 8,600 Lumens (40K) 85W 8,900 Lumens (50K) 87W	40K Neutral White (4000K) 50K Cool White (5000K)	DB Dark Bronze

CERTIFICATIONS:



C-WP-A-TRAD-8L Series



SERIES OVERVIEW

DIMENSIONS	PRODUCT WEIGHT	MOUNTING HEIGHT	SPACING
9-3/8" D x 18" W x 9-3/4" H	15.8 lbs.	12 to 20 feet	2 to 3 times the mounting height

FIXTURE SPECIFICATIONS

HOUSING	Heavy duty, die-cast aluminum housing with hinged door frame Dark bronze polyester powder-coat finish
LENS ASSEMBLY	Heat and shock-resistant borosilicate glass prismatic lens
MOUNTING	1/2" NPT tapped knockouts for conduit entrances (one on top, one on each side, one on back)

ELECTRICAL PERFORMANCE

OPERATING MINIMUM	LIFESPAN L ₇₀ AT 25°C (77°F)	POWER FACTOR	TOTAL HARMONIC DISTORTION	DIMMABLE
-40°C (-40°F)	Estimated 76,000 Hours	> 0.9	< 20%	No
INPUT VOLTAGE	120V	208V	240V	277V
CURRENT DRAW (Amps)	0.72A	0.42A	0.36A	0.31A

WARRANTY AND CERTIFICATIONS

WARRANTY	UL LISTED	DLC
5 Year Limited*	Wet Locations	DLC Qualified

CA RESIDENTS WARNING: Cancer and Reproductive Harm –
www.p65warnings.ca.gov

US: c-lite.com T (800) 236-6800 F (262) 504-5415

Canada: www.cree.com/canada T (800) 473-1234 F (800) 890-7507


Rev. Date: V2 10/12/2018

For informational purposes only. Content is subject to change. *See lighting.cree.com/warranty for details

C-LITE
LED LIGHTING BY CREE

C-WP-A-TRAD-8L Series

ACCESSORIES

	PHOTOCELL - BUTTON, 120V/208V/240V/277V
	SKU: C-ACC-A-PCCELL-LV (120V) C-ACC-A-PCCELL-HV (208V/240V/277V) USE: Photocell is field installed and drilling of the back box in the field is required.

© 2018 Cree, Inc. and/or one of its subsidiaries. All rights reserved. For informational purposes only. Content is subject to change. Patent www.cree.com/patents. The CREE LEDs logo, C-LITE™ and the C-LITE logo are trademarks of Cree, Inc. The UL logo is a registered trademark of UL LLC. The DLC QPL logo is a registered trademark of Efficiency Forward, Inc.

US: c-lite.com T (800) 236-6800 F (262) 504-5415

Canada: www.cree.com/canada T (800) 473-1234 F (800) 890-7507

Rev. Date: V2 10/12/2018

For informational purposes only. Content is subject to change. *See lighting.cree.com/warranty for details

C-LITE
LED LIGHTING BY CREE