

Sectional Terminal Blocks

3/8" Sectional Channel (C), Flat (F), & DIN Mount

600 Volts AC/DC
32 Circuits per Foot



6G38 TS F

Specifications:

- Meets IP20 Probing Requirement
- Wire Termination Torque 16 lb-in
- UL Recognized File No. XCFR2.E62806
- CSA Certified File No. LR19766
- **CE**
- RoHS Compliant

Tubular Screw Connector (6G38 TS)

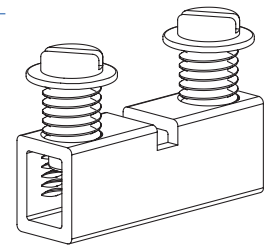
Materials:

- Base - Gray Thermoplastic, 125°C (UL RTI)
- Tubular Screw Connector- Copper, Tin Plated
- Screw - #10-32 Steel, Nickel Plated

Wire Ranges:

- 50 Amps (40 Amps CSA)
- Single and Multiple Wire Combinations:

<u>Stranded CU</u>	<u>Solid CU</u>
(1) #8 - #18 AWG	(1) #10 - #16 AWG
(1-3) #12 AWG	(1-3) #12 AWG
(1-4) #14 AWG	(1-4) #14 or #16 AWG



Ordering Code:

6G38 TS F	Flat mount block	Std pk 100	See Figure 2 On Page 115
6G38 TS C	Channel mount block	Std pk 100	See Figure 1 On Page 115
6G38 TS DIN	DIN mount block	Std pk 25	See Figure 3 On Page 115

Kant Kut Connector (6G38 TSKK)

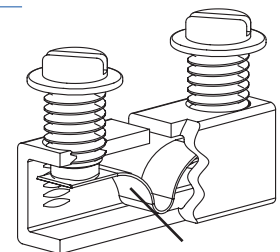
Materials:

- Base - Gray Thermoplastic, 125°C (UL RTI)
- Kant Kut Connector- Copper, Tin Plated
- Screw - #10-32, Nickel Plated, Pad - Steel

Wire Ranges:

- 40 Amps
- Single and Multiple Wire Combinations:

<u>Stranded CU</u>	<u>Solid CU</u>
(1) #10-#22 AWG	(1) #10 - #14 AWG
(1-2) #12 AWG	(1-2) #12 or #14 AWG
(1-3) #14 AWG	
(1-4) #16 AWG	
(1-5) #18 or #22 AWG	



WIRE PROTECTOR

Ordering Code:

6G38 TSKK F	Flat mount block	Std pk 100	See Figure 2 On Page 115
6G38 TSKK C	Channel mount block	Std pk 100	See Figure 1 On Page 115
6G38 TSKK DIN	DIN mount block	Std pk 25	See Figure 3 On Page 115

Sectional Terminal Blocks

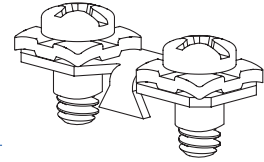
Sems Pressure Connector (6H38 SP)

Materials:

- White Nylon, 105°C (UL RTI)
- Connector - Brass, Tin Plated
- Screw - #6-32 with Pad, Steel Nickel Plated

Wire Ranges:

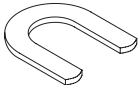
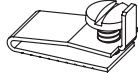

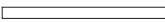

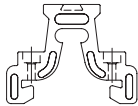

- 25 Amps
- (1) #12 - #22 AWG



Ordering Code:

6H38 SP F	Flat mount block	Std pk 100	See Figure 2 On Page 115
6H38 SP C	Channel mount block	Std pk 100	See Figure 1 On Page 115
Not available with a DIN Mounted Base			

Sectional Terminal Block Accessories

Catalog #	Description		Std. Pack Qty.
J 38	Jumper for TS & TSKK		50
MC	Mounting Clamp (For channel style only)		25
MPC-3 (3 ft channel) MPC-6 (6 ft channel)	Channel		1
MS 2	Vinyl Marking Strip (1/2" x 2' white)		25
MN35-2	DIN Rail, 35 x 7.5 mm 2 m long, slotted		25
MSK35	End bracket for DIN mount base		25
6G38 E C 6G38 E F 6G38 E DIN	End sections for 6G38 versions		25
6H38 E F 6H38 E C	End sections for 6H38 versions		25

Sectional Terminal Blocks

Sectional Terminal Block Dimensions - 6G38 TS & TSKK

FIGURE 1:
Channel Mount

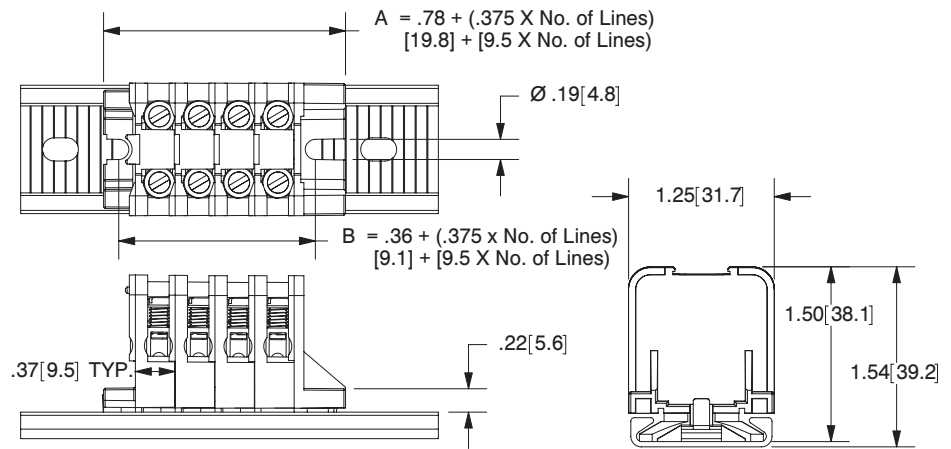


FIGURE 2:
Flat Mount

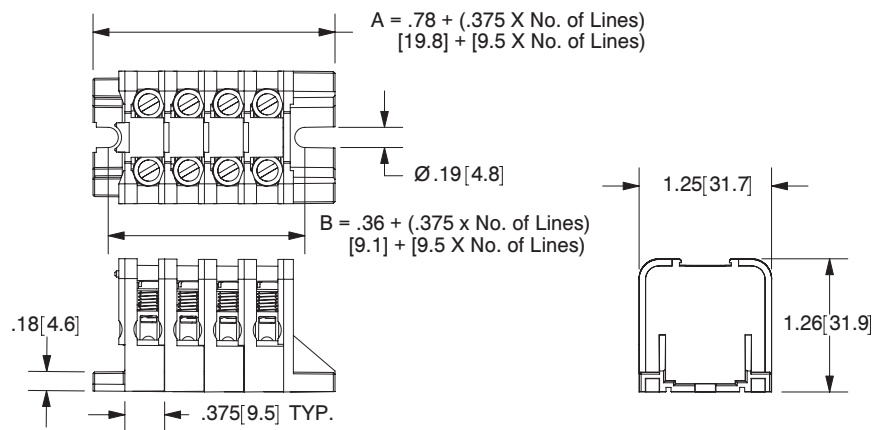
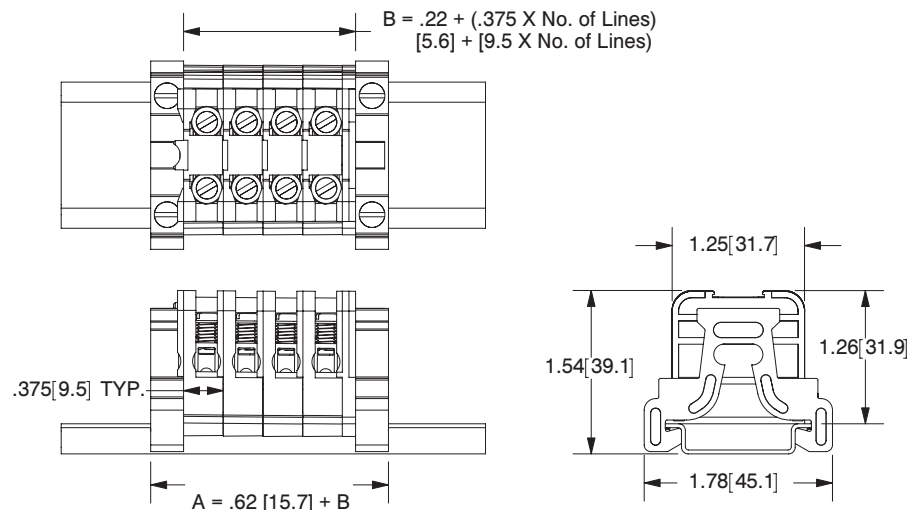


FIGURE 3:
DIN Mount



Sectional Terminal Blocks

Sectional Terminal Block Dimensions - 6H38

FIGURE 4:

$$A = .79 + (.375 \times E)$$

$$B = .36 + (.375 \times E)$$

E = No. of Poles

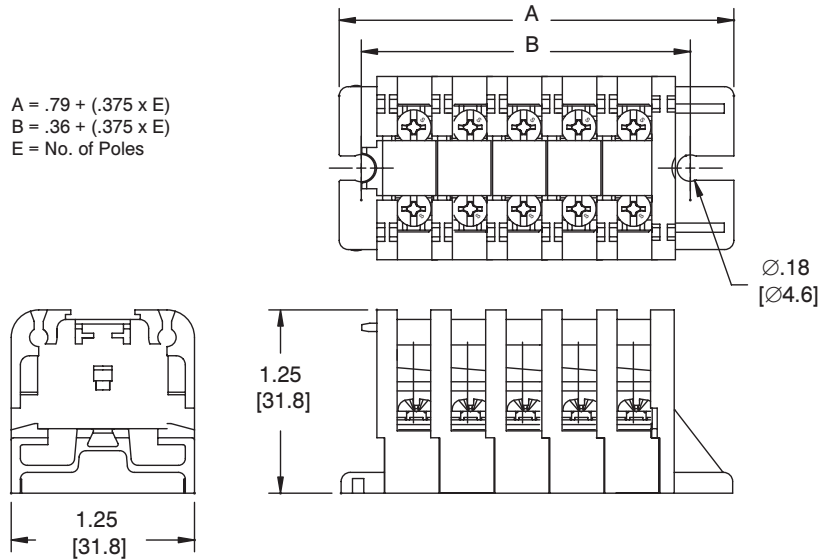


FIGURE 5:

$$A = .79 + (.375 \times E)$$

$$B = .36 + (.375 \times E)$$

E = No. of Poles

