

TYPE BIPC

UL Listed 90° C, *600 Volt

The Type BIPC, **B**urndy **I**nsulation **P**iercing **C**onnectors are ideally suited for splicing and tapping aluminum and copper conductor wire sizes: #10 AWG to 500 kcmil.



Features and Benefits

- Insulation piercing capability.
 - ◇ Eliminates the need for conductor insulation stripping.
- UL486B listed, AL9CU rated.
 - ◇ For copper and aluminum conductor combinations up to 90° *600 Volt applications.
- Insulation piercing design.
 - ◇ Eliminates the need for taping.
- Easy snap-out tabs.
 - ◇ Eases installation, protects connection from dirt and debris.
- Simple bolt-on connection.
 - ◇ Eases installation.

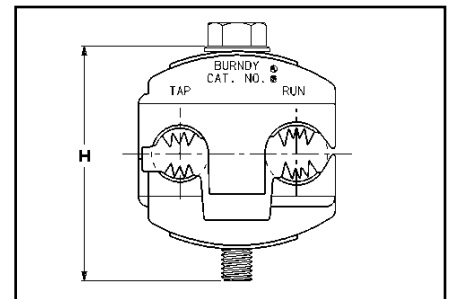
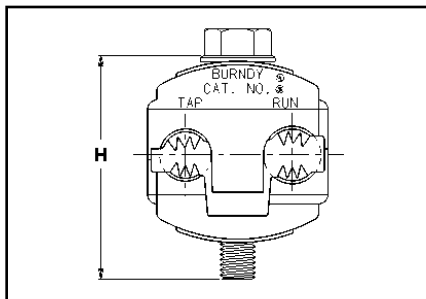
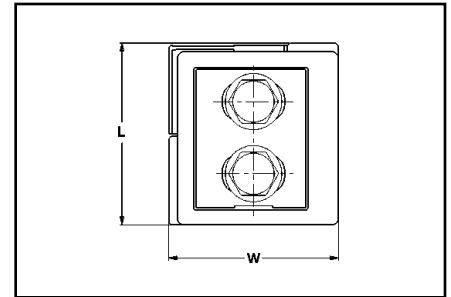
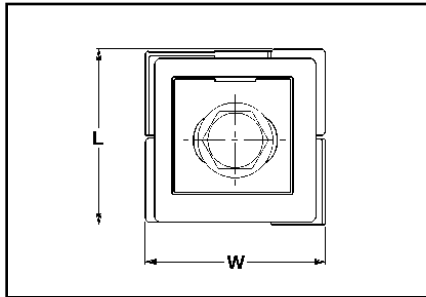
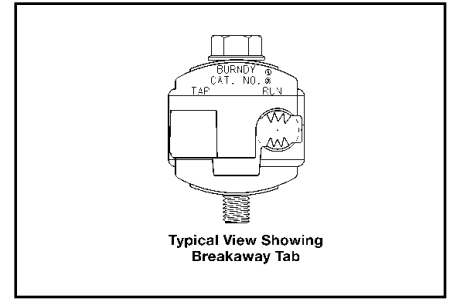


Fig. 1

Fig. 2

Catalog Number	Conductor Range		Bolt Size	Socket Size	Fig. No.	Dimensions			Recommended Torque (N,m)	Max. Voltage Rating
	Run	Tap				H	L	W		
BIPC1/0-2	1/0 - 8 AWG [50 - 6 mm ²]	2 - 8 AWG [35 - 6 mm ²]	5/16-18	1/2	1	2.00 [51]	1.53 [39]	2.56 [65]	180 in. lbs. [20.3 N.m]	600V
BIPC4/0-6	4/0 - 1/0 AWG [95 - 50 mm ²]	1/0 - 6 AWG [50 - 16 mm ²]	5/16-18	1/2	2	2.50 [64]	2.12 [54]	2.00 [51]	250 in. lbs. [28.3 N.m]	300V
BIPC4/0-1/0	4/0 - 1/0 AWG [95 - 50 mm ²]	4/0 - 1/0 AWG [95 - 50 mm ²]	5/16-18	1/2	2	2.50 [64]	2.12 [2.12]	2.06 [52]	250 in. lbs. [28.3 N.m]	300V
BIPC350-4/0	350 - 4/0 AWG [185 - 95 mm ²]	4/0 - 10 AWG [95 - 6 mm ²]	3/8-16	9/16	1	3.00 [76]	1.59 [40]	2.50 [64]	375 in. lbs. [42.4 N.m]	300V
BIPC350-350	350 - 4/0 AWG [185 - 95 mm ²]	350 - 4/0 AWG [185 - 95 mm ²]	3/8-16	9/16	2	3.00 [76]	2.62 [67]	2.75 [70]	300 in. lbs. [33.9 N.m]	300V
BIPC500-4/0	500 - 350 kcmil [240 - 185 mm ²]	4/0 - 4 AWG [95 - 25 mm ²]	3/8-16	9/16	1	3.25 [83]	1.59 [40]	2.62 [67]	400 in. lbs. [45.2 N.m]	600V

Blue highlighted items are industry standard and most frequently ordered.