



SURFACE MOUNT TROFFER KIT SMK SERIES

Type: _____

Catalog No.: _____

Project: _____

Notes: _____

- Designed to easily convert recessed troffers to surface mount fixtures
- Available for 2x2, 1x4 and 2x4 BL, BLT, & EPANL series
- Available for 2x2 and 2x4 GTL series troffers¹
- Includes safety lanyards and quick disconnect
- Mounts to a variety of ceiling types

PRODUCT SPECIFICATIONS

Housing

20 ga. (.036) cold rolled steel with welded construction.


Finish

Powder coat matte white with a fine texture.

Installation

Kits are easily field installed with hand tools.

Listings

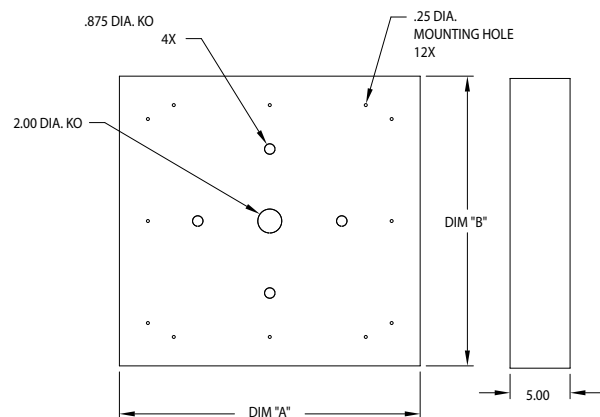
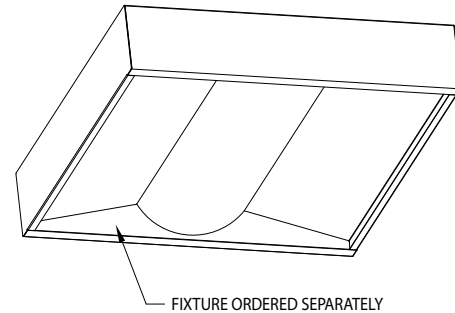
- ETL listed for damp location.
- Union made.
- Assembled in U.S.A. 

Warranty 5-year limited warranty. Complete warranty terms located at: www.acuitybrands.com/CustomerResources/Terms_and_conditions.aspx. Specifications subject to change without notice.

ORDERING INFORMATION

Series	
2X2SMK	2' x 2' Surface Mount Troffer Kit
1X4SMK	1' x 4' Surface Mount Troffer Kit
2X4SMK	2' x 4' Surface Mount Troffer Kit

DIMENSIONS



MODEL	DIM "A"	DIM "B"
2X2SMK	25.06	24.14
2X4SMK	25.06	48.14
1X4SMK	13.06	48.14

Notes

- 1 Not available to be used with 2X2 GTL fixtures with emergency options.